

Recommended for Mounting Heights to 8' (environmental separation) and 7' (insect control)

#### STANDARD CONSTRUCTION

- 8 1/4" high x 16" deep
- 1/5 hp motor(s) - ten speeds
- Factory installed Intelliswitch™ digital controller
- Clear satin anodized aluminum exterior
- Wall or Top Mounting
- High efficiency, low noise, articulating, three vane, Pro-V Nozzle
- Single stage electric heater (open element)
- Alternate kW: see sheet EP-282E
- Filter (washable)

#### OPTIONS

- 1/5 hp EC motor(s) - ten speeds
- Custom Color or Stainless
- Rear cover for top mounting to conceal fasteners
- Berner AIR™ (smart controller & app, includes BACnet)

Energy Codes ASHRAE 90.1-2019, IECC 2018, and ASHRAE 189.1 vestibule exception validated by AMCA certification. Refer to Velocity Projection Chart below for information.



Berner International certifies that the air curtains shown here-in are licensed to bear the AMCA Seal. The ratings shown are based on tests and procedures performed in accordance with AMCA Publication 211 and comply with the requirements of the AMCA Certified Ratings Program. Rated data shown is for base (electric heated) units. The AMCA Certified Ratings Seal applies to airflow rate, average outlet velocity, outlet velocity uniformity, velocity projection and power rating at free delivery only.

2 Year Limited Warranty



MODEL	Nozzle Width (in)	Max Vel. at Nozzle (fpm)	Avg. Outlet Vel. (fpm)	Air Volume (cfm)	Outlet Vel. Uniformity	Power Rating (kW)	Motor(s) @ hp	Max Electric Capacity (kW)	Heater Output (MBH)	Air Temp. Rise (°F)	Net Wt. (lbs)
AI08-E-1036E	36.00	2,251	1,691	951	84%	0.20	1 @ 1/5	10.0	34.1	33°	53
AI08-E-1042E	42.00	2,317	1,728	1,134	83%	0.23	1 @ 1/5	10.0	34.1	28°	58
AI08-E-1048E	48.00	2,335	1,779	1,334	81%	0.26	1 @ 1/5	14.4	49.1	34°	63
AI08-E-1060E	59.00	2,189	1,808	1,667	81%	0.32	1 @ 1/5	14.4	49.1	27°	74
AI08-E-1072E	72.00	2,149	1,582	1,780	84%	0.32	1 @ 1/5	20.0	68.3	35°	89
AI08-E-2084E	84.00	2,317	1,728	2,268	83%	0.45	2 @ 1/5	20.0	68.3	28°	116
AI08-E-2096E	96.00	2,335	1,779	2,668	81%	0.52	2 @ 1/5	28.8	98.3	34°	126
AI08-E-2108E	108.00	2,335	1,778	3,001	81%	0.58	2 @ 1/5	28.8	98.3	30°	137
AI08-E-2120E	118.00	2,189	1,808	3,334	81%	0.64	2 @ 1/5	28.8	98.3	27°	148

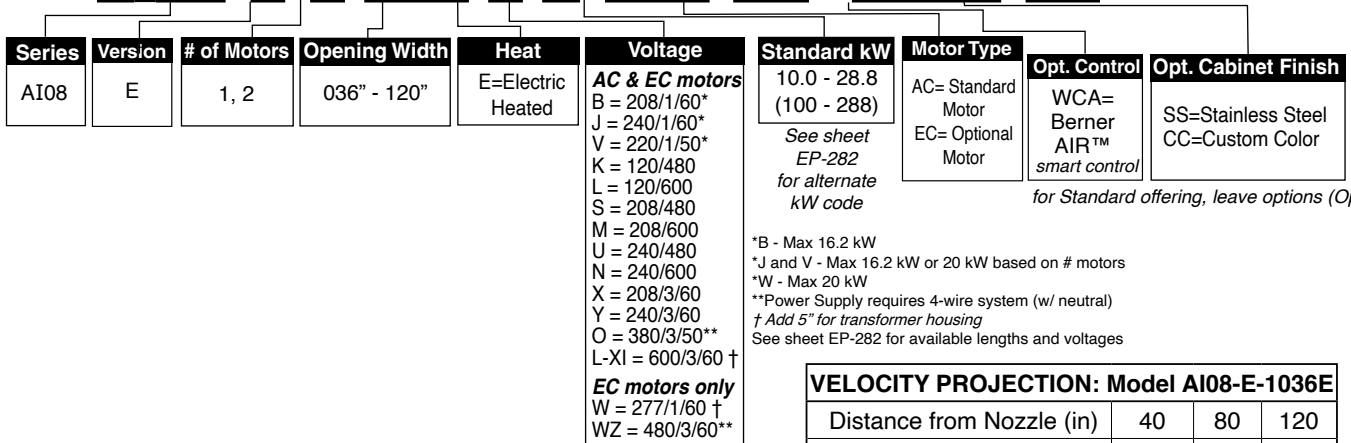
See sheets EP-282E-AC & EP-282E-EC for amp draws/total load requirements. 600/3/60 power supply includes transformer housing, See drawing AI08-E-ELE-600

#### NOTES:

1. Operation of standard motor (AC) at 50Hz will generate a 17% reduction in performance; no reduction for optional EC motors.
2. Single Point Power Connection – consult factory.

### MODEL NUMBER CONFIGURATION

AI08-E-1 036 E B-100-AC -WCA -SS



#### VELOCITY PROJECTION: Model AI08-E-1036E

Distance from Nozzle (in)	40	80	120
Core Velocity (fpm)	970	710	605
Uniformity (%)	91%	89%	92%

ASHRAE 90.1-2019 vestibule exception requires, "a jet velocity of not less than 6.6 feet per second (400 fpm; 2.0 m/s) at 6.0 in (15 cm) above the floor."

Sound level measured 10' (3m) from the unit in free field:

- 1 motor: Min./Max. Speed: 50/55 dBA
- 2 motors: Min./Max. Speed: 53/58 dBA

Sound data is not AMCA certified.

Berner reserves the right to alter specifications without prior notice.



# ARCHITECTURAL ICON 8 - AC MOTORS

## Electric Heated Air Curtain Electrical Performance Sheet

MODEL	kW (code)	Temp Rise °F	# CKTS	208/1/60 (voltage code B) MOTOR AMP DRAW = 1.7 each		240/1/60 (voltage code J) or 220/1/50 (voltage code V) MOTOR AMP DRAW = 1.7 each		* Consult Factory 277/1/60 (voltage code W) MOTOR AMP DRAW = ** each			
				AMPS PER CIRCUIT (including motor)	BREAKER RATING PER CIRCUIT	# CKTS	AMPS PER CIRCUIT (including motor)	BREAKER RATING PER CIRCUIT	# CKTS	AMPS PER CIRCUIT (including motor)	BREAKER RATING PER CIRCUIT
AI08-E-1036E AI08-E-1042E	10 (100)	30	1	49.8	60	1	43.4	60	*	*	*
	7.5 (075)	23	1	37.8	50	1	33.0	45	*	*	*
	5.6 (056)	17	1	28.6	40	1	25.0	35	*	*	*
	4 (040)	12	1	20.9	30	1	18.4	25	*	*	*
AI08-E-1048E AI08-E-1060E	14.4 (144)	33	2	36.3/34.6	50/45	2	31.7/30.0	40/40	*	*	*
	10.8 (108)	25	2	27.7/26.0	35/35	1	46.7	60	*	*	*
	8.1 (081)	18	1	40.6	60	1	35.5	45	*	*	*
	5.6 (056)	13	1	28.6	40	1	25.0	35	*	*	*
AI08-E-1072E	20 (200)	30	-	N/A	N/A	2	43.4/41.7	60/60	*	*	*
	15 (150)	23	2	37.8/36.1	50/50	2	33.0/31.3	45/40	*	*	*
	11.2 (112)	17	2	28.6/26.9	40/35	1	48.4	60	*	*	*
	8 (080)	12	1	40.2	60	1	35.0	45	*	*	*
AI08-E-2084E	20 (200)	26	-	N/A	N/A	-	N/A	N/A	*	*	*
	15 (150)	19	2	39.5/36.1	50/50	2	34.7/31.3	45/40	*	*	*
	11.2 (112)	15	2	30.3/26.9	40/35	1	50.1	60	*	*	*
	8 (080)	10	1	41.9	60	1	36.7	50	*	*	*
AI08-E-2096E AI08-E-2108E AI08-E-2120E	28.8 (288)	33	-	N/A	N/A	-	N/A	N/A	*	*	*
	21.6 (216)	25	-	N/A	N/A	-	N/A	N/A	*	*	*
	16.2 (162)	19	2	42.3/38.9	60/50	2	37.2/33.8	50/45	*	*	*
	11.2 (112)	13	2	30.3/26.9	40/35	2	26.7/23.3	35/30	*	*	*

*Berner reserves the right to alter specifications without prior notice.*



# ARCHITECTURAL ICON 8 - AC MOTORS

## Electric Heated Air Curtain Electrical Performance Sheet

MODEL	kW (code)	Temp Rise °F	208/3/60 (voltage code X) MOTOR AMP DRAW = 1.7 each			240/3/60 (voltage code Y) MOTOR AMP DRAW = 1.7 each			* Consult Factory 480/3/60 (voltage code WZ) - 4 Wire System MOTOR AMP DRAW = ** each @ 277V			600/3/60 (voltage code L-XI) XFMR 600/120 0.5kVA per MTR @ 0.8 each MOTOR AMP DRAW = 3.4 each @ 120V		
			# CKTS	AMPS PER CIRCUIT (including motor)	BREAKER RATING PER CIRCUIT	# CKTS	AMPS PER CIRCUIT (including motor)	BREAKER RATING PER CIRCUIT	# CKTS	AMPS PER CIRCUIT (including motor)	BREAKER RATING PER CIRCUIT	# CKTS	AMPS PER CIRCUIT (including motor)	BREAKER RATING PER CIRCUIT
AI08-E-1036E AI08-E-1042E	10 (100)	30	1	29.5	40	1	25.8	35	*	*	*	1	10.4	15
	7.5 (075)	23	1	22.5	30	1	19.7	25	*	*	*	1	8.0	15
	5.6 (056)	17	1	17.2	25	1	15.2	20	*	*	*	1	6.2	15
	4 (040)	12	1	12.8	20	1	11.3	15	*	*	*	1	4.6	15
AI08-E-1048E AI08-E-1060E	14.4 (144)	33	1	41.7	60	1	36.3	50	*	*	*	1	14.7	20
	10.8 (108)	25	1	31.7	40	1	27.7	35	*	*	*	1	11.2	15
	8.1 (081)	19	1	24.2	35	1	21.2	30	*	*	*	1	8.6	15
	5.6 (056)	13	1	17.2	25	1	15.2	20	*	*	*	1	6.2	15
AI08-E-1072E	20 (200)	30	2	29.5/27.8	40/35	2	25.8/24.1	35/35	*	*	*	1	20.0	30
	15 (150)	23	1	43.3	60	1	37.8	50	*	*	*	1	15.2	20
	11.2 (112)	17	1	32.8	45	1	28.6	40	*	*	*	1	11.6	15
	8 (080)	12	1	23.9	30	1	20.9	30	*	*	*	1	8.5	15
AI08-E-2084E	20 (200)	26	2	31.2/27.8	40/35	2	27.5/24.1	35/35	*	*	*	1	20.8	30
	15 (150)	20	1	45.0	60	1	39.5	50	*	*	*	1	16.0	20
	11.2 (112)	15	1	34.5	45	1	30.3	40	*	*	*	1	12.4	20
	8 (080)	10	1	25.6	35	1	22.6	30	*	*	*	1	9.3	15
AI08-E-2096E AI08-E-2108E AI08-E-2120E	28.8 (288)	33	2	43.4/40.0	60/50	2	38.0/34.6	50/45	*	*	*	1	29.3	40
	21.6 (216)	25	2	33.4/30.0	45/40	2	29.4/26.0	40/35	*	*	*	1	22.4	30
	16.2 (162)	19	1	48.4	60	1	42.4	60	*	*	*	1	17.2	25
	11.2 (112)	13	1	34.5	45	1	30.3	40	*	*	*	1	12.4	20

*Berner reserves the right to alter specifications without prior notice.*



# ARCHITECTURAL ICON 8 - AC MOTORS

## Electric Heated Air Curtain Electrical Performance Sheet

MODEL	kW (code)	Temp Rise °F	120/1/60 - 480/3/60 (voltage code K) 120V MOTOR AMP DRAW = 3.4 each				208/1/60 - 480/3/60 (voltage code S) 208V MOTOR AMP DRAW = 1.7 each				240/1/60 - 480/3/60 (voltage code U) 240V MOTOR AMP DRAW = 1.7 each				380/3/50 (voltage code O) 4 Wire System MOTOR AMP DRAW = 1.7 each					
			# CKTS	AMPS PER CIRCUIT (including motor)		BREAKER RATING PER CIRCUIT		# CKTS	AMPS PER CIRCUIT (including motor)		BREAKER RATING PER CIRCUIT		# CKTS	AMPS PER CIRCUIT (including motor)		BREAKER RATING PER CIRCUIT		# CKTS	AMPS PER CIRCUIT (including motor)	BREAKER RATING PER CIRCUIT
				120V/1	480V/3	120V/1	480V/3		208V/1	480V/3	208V/1	480V/3		240V/1	480V/3	240V/1	480V/3			
AI08-E-1036E AI08-E-1042E	10 (100)	30	2	3.4	12.0	15	15	2	1.7	12.0	15	15	2	1.7	12.0	15	15	1	16.9	25
	7.5 (075)	23	2	3.4	9.0	15	15	2	1.7	9.0	15	15	2	1.7	9.0	15	15	1	13.1	20
	5.6 (056)	17	2	3.4	6.7	15	15	2	1.7	6.7	15	15	2	1.7	6.7	15	15	1	10.2	15
	4 (040)	12	2	3.4	6.0	15	15	2	1.7	6.0	15	15	2	1.7	6.0	15	15	-	7.8	15
AI08-E-1048E AI08-E-1060E	14.4 (144)	33	2	3.4	17.3	15	25	2	1.7	17.3	15	25	2	1.7	17.3	15	25	1	23.6	30
	10.8 (108)	25	2	3.4	13.0	15	20	2	1.7	13.0	15	20	2	1.7	13.0	15	20	1	18.1	25
	8.1 (081)	19	2	3.4	9.7	15	15	2	1.7	9.7	15	15	2	1.7	9.7	15	15	1	14.0	20
	5.6 (056)	13	2	3.4	6.7	15	15	2	1.7	6.7	15	15	2	1.7	6.7	15	15	1	10.2	15
AI08-E-1072E	20 (200)	30	2	3.4	24.1	15	35	2	1.7	24.1	15	35	2	1.7	24.1	15	35	1	32.1	45
	15 (150)	23	2	3.4	18.0	15	25	2	1.7	18.0	15	25	2	1.7	18.0	15	25	1	24.5	35
	11.2 (112)	17	2	3.4	13.5	15	20	2	1.7	13.5	15	20	2	1.7	13.5	15	20	1	18.7	25
	8 (080)	12	2	3.4	9.6	15	15	2	1.7	9.6	15	15	2	1.7	9.6	15	15	1	13.9	20
AI08-E-2084E	20 (200)	26	2	6.8	24.1	15	35	2	3.4	24.1	15	35	2	3.4	24.1	15	35	1	33.8	45
	15 (150)	20	2	6.8	18.0	15	25	2	3.4	18.0	15	25	2	3.4	18.0	15	25	1	26.2	35
	11.2 (112)	15	2	6.8	13.5	15	20	2	3.4	13.5	15	20	2	3.4	13.5	15	20	1	20.4	30
	8 (080)	10	2	6.8	9.6	15	15	2	3.4	9.6	15	15	2	3.4	9.6	15	15	1	15.6	20
AI08-E-2096E AI08-E-2108E AI08-E-2120E	28.8 (288)	33	2	6.8	34.6	15	45	2	3.4	34.6	15	45	2	3.4	34.6	15	45	1	47.2	60
	21.6 (216)	25	2	6.8	26.0	15	35	2	3.4	26.0	15	35	2	3.4	26.0	15	35	1	36.2	45
	16.2 (162)	19	2	6.8	19.5	15	25	2	3.4	19.5	15	25	2	3.4	19.5	15	25	1	28.0	35
	11.2 (112)	13	2	6.8	13.5	15	20	2	3.4	13.5	15	20	2	3.4	13.5	15	20	1	20.4	30

*Berner reserves the right to alter specifications without prior notice.*



# ARCHITECTURAL ICON 8 - AC MOTORS

Electric Heated Air Curtain  
Electrical Performance Sheet

MODEL	kW (code)	Temp Rise °F	# CKTS	120/1/60 - 600/3/60 (voltage code L) 120V MOTOR AMP DRAW = 3.4 each				208/1/60 - 600/3/60 (voltage code M) 208V MOTOR AMP DRAW = 1.7 each				240/1/60 - 600/3/60 (voltage code N) 240V MOTOR AMP DRAW = 1.7 each					
				AMPS PER CIRCUIT		BREAKER RATING PER CIRCUIT		AMPS PER CIRCUIT		BREAKER RATING PER CIRCUIT		AMPS PER CIRCUIT		BREAKER RATING PER CIRCUIT			
				120V/1	600V/3	120V/1	600V/3	208V/1	600V/3	208V/1	600V/3	240V/1	600V/3	240V/1	600V/3		
AI08-E-1036E AI08-E-1042E	10 (100)	30	2	3.4	9.6	15	15	2	1.7	9.6	15	15	2	1.7	9.6	15	15
	7.5 (075)	23	2	3.4	7.2	15	15	2	1.7	7.2	15	15	2	1.7	7.2	15	15
	5.6 (056)	17	2	3.4	5.4	15	15	2	1.7	5.4	15	15	2	1.7	5.4	15	15
	4 (040)	12	2	3.4	3.8	15	15	2	1.7	3.8	15	15	2	1.7	3.8	15	15
AI08-E-1048E AI08-E-1060E	14.4 (144)	33	2	3.4	13.9	15	20	2	1.7	13.9	15	20	2	1.7	13.9	15	20
	10.8 (108)	25	2	3.4	10.4	15	15	2	1.7	10.4	15	15	2	1.7	10.4	15	15
	8.1 (081)	19	2	3.4	7.8	15	15	2	1.7	7.8	15	15	2	1.7	7.8	15	15
	5.6 (056)	13	2	3.4	5.4	15	15	2	1.7	5.4	15	15	2	1.7	5.4	15	15
AI08-E-1072E	20 (200)	30	2	3.4	19.2	15	25	2	1.7	19.2	15	25	2	1.7	19.2	15	25
	15 (150)	23	2	3.4	14.4	15	20	2	1.7	14.4	15	20	2	1.7	14.4	15	20
	11.2 (112)	17	2	3.4	10.8	15	15	2	1.7	10.8	15	15	2	1.7	10.8	15	15
	8 (080)	12	2	3.4	7.7	15	15	2	1.7	7.7	15	15	2	1.7	7.7	15	15
AI08-E-2084E	20 (200)	26	2	6.8	19.2	15	25	2	3.4	19.2	15	25	2	3.4	19.2	15	25
	15 (150)	20	2	6.8	14.4	15	20	2	3.4	14.4	15	20	2	3.4	14.4	15	20
	11.2 (112)	15	2	6.8	10.8	15	15	2	3.4	10.8	15	15	2	3.4	10.8	15	15
	8 (080)	10	2	6.8	7.7	15	15	2	3.4	7.7	15	15	2	3.4	7.7	15	15
AI08-E-2096E AI08-E-2108E AI08-E-2120E	28.8 (288)	33	2	6.8	27.7	15	35	2	3.4	27.7	15	35	2	3.4	27.7	15	35
	21.6 (216)	25	2	6.8	20.8	15	30	2	3.4	20.8	15	30	2	3.4	20.8	15	30
	16.2 (162)	19	2	6.8	15.6	15	20	2	3.4	15.6	15	20	2	3.4	15.6	15	20
	11.2 (112)	13	2	6.8	10.8	15	15	2	3.4	10.8	15	15	2	3.4	10.8	15	15

Berner reserves the right to alter specifications without prior notice.



# ARCHITECTURAL ICON 8 - EC MOTORS

Electric Heated Air Curtain  
Electrical Performance Sheet

MODEL	kW (code)	Temp Rise °F	# CKTS	208/1/60 (voltage code B) MOTOR AMP DRAW = 2.5 each		240/1/60 (voltage code J) or 220/1/50 (voltage code V) MOTOR AMP DRAW = 2.5 each		277/1/60 (voltage code W) MOTOR AMP DRAW = 2.2 each			
				AMPS PER CIRCUIT (including motor)	BREAKER RATING PER CIRCUIT	# CKTS	AMPS PER CIRCUIT (including motor)	BREAKER RATING PER CIRCUIT	# CKTS	AMPS PER CIRCUIT (including motor)	BREAKER RATING PER CIRCUIT
AI08-E-1036E AI08-E-1042E	10 (100)	30	1	50.6	60	1	44.2	60	1	38.3	50
	7.5 (075)	23	1	38.6	50	1	33.8	45	1	29.3	40
	5.6 (056)	17	1	29.4	40	1	25.8	35	1	22.4	30
	4 (040)	12	1	21.7	30	1	19.2	25	1	16.6	25
AI08-E-1048E AI08-E-1060E	14.4 (144)	33	2	37.1/34.6	50/45	2	32.5/30.0	45/40	2	28.2/26.0	40/35
	10.8 (108)	25	2	28.5/26.0	40/35	1	47.5	60	1	41.2	60
	8.1 (081)	18	1	41.4	60	1	36.3	50	1	31.4	40
	5.6 (056)	13	1	29.4	40	1	25.8	35	1	22.4	30
AI08-E-1072E	20 (200)	30	-	N/A	N/A	2	44.2/41.7	60/60	2	38.3/36.1	50/50
	15 (150)	23	2	38.6/36.1	50/50	2	33.8/31.3	45/40	2	29.3/27.1	40/35
	11.2 (112)	17	2	29.4/26.9	40/35	1	49.2	60	1	42.6	60
	8 (080)	12	1	41.0	60	1	35.8	45	1	31.1	40
AI08-E-2084E	20 (200)	26	-	N/A	N/A	-	N/A	N/A	2	40.5/36.1	60/50
	15 (150)	19	2	41.1/36.1	60/50	2	36.3/31.3	45/40	2	31.5/27.1	40/35
	11.2 (112)	15	2	31.9/26.9	40/35	2	28.3/23.3	35/30	1	44.8	60
	8 (080)	10	1	43.5	60	1	38.3	50	1	33.3	45
AI08-E-2096E AI08-E-2108E AI08-E-2120E	28.8 (288)	33	-	N/A	N/A	-	N/A	N/A	-	N/A	N/A
	21.6 (216)	25	-	N/A	N/A	-	N/A	N/A	2	43.4/39.0	60/50
	16.2 (162)	19	2	43.9/38.9	60/50	2	38.8/33.8	50/45	2	34.2/29.2	45/40
	11.2 (112)	13	2	31.9/26.9	40/35	2	28.3/23.3	35/30	1	45.4	60



# ARCHITECTURAL ICON 8 - EC MOTORS

## Electric Heated Air Curtain Electrical Performance Sheet

MODEL	kW (code)	Temp Rise °F	208/3/60 (voltage code X) MOTOR AMP DRAW = 2.5 each			240/3/60 (voltage code Y) MOTOR AMP DRAW = 2.5 each			480/3/60 (voltage code WZ) - 4 Wire System MOTOR AMP DRAW = 2.2 each @ 277V			600/3/60 (voltage code L-XI) XFMR 600/120 0.5kVA per MTR @ 0.8 each MOTOR AMP DRAW = 4.4 each @ 120V		
			# CKTS	AMPS PER CIRCUIT (including motor)	BREAKER RATING PER CIRCUIT	# CKTS	AMPS PER CIRCUIT (including motor)	BREAKER RATING PER CIRCUIT	# CKTS	AMPS PER CIRCUIT (including motor)	BREAKER RATING PER CIRCUIT	# CKTS	AMPS PER CIRCUIT (including motor)	BREAKER RATING PER CIRCUIT
AI08-E-1036E AI08-E-1042E	10 (100)	30	1	30.3	40	1	26.6	35	1	14.2	20	1	10.4	15
	7.5 (075)	23	1	23.3	30	1	20.5	30	1	11.2	15	1	8.0	15
	5.6 (056)	17	1	18.0	25	1	16.0	20	1	8.9	15	1	6.2	15
	4 (040)	12	1	13.6	20	1	12.1	20	1	7.0	15	1	4.6	15
AI08-E-1048E AI08-E-1060E	14.4 (144)	33	1	42.5	60	1	37.1	50	1	19.5	25	1	14.7	20
	10.8 (108)	25	1	32.5	45	1	28.5	40	1	15.2	20	1	11.2	15
	8.1 (081)	18	1	25.0	35	1	22.0	30	1	11.9	15	1	8.6	15
	5.6 (056)	13	1	18.0	25	1	16.0	20	1	8.9	15	1	6.2	15
AI08-E-1072E	20 (200)	30	2	30.3/27.8	40/35	2	26.6/24.1	35/35	1	26.3	35	1	20.0	30
	15 (150)	23	1	44.1	60	1	38.6	50	1	20.2	30	1	15.2	20
	11.2 (112)	17	1	33.6	45	1	29.4	40	1	15.7	20	1	11.6	15
	8 (080)	12	1	24.7	35	1	21.7	30	1	11.8	15	1	8.5	15
AI08-E-2084E	20 (200)	26	2	32.8/27.8	45/35	2	29.1/24.1	40/35	1	28.5	40	1	20.8	30
	15 (150)	19	1	46.6	60	1	41.1	60	1	22.4	30	1	16.0	20
	11.2 (112)	15	1	36.1	45	1	31.9	40	1	17.9	25	1	12.4	20
	8 (080)	10	1	27.2	35	1	24.2	30	1	14.0	20	1	9.3	15
AI08-E-2096E AI08-E-2108E AI08-E-2120E	28.8 (288)	33	2	45.0/40.0	60/50	2	39.6/34.6	50/45	1	39.0	50	1	29.3	40
	21.6 (216)	25	2	35.0/30.0	45/40	2	31.0/26.0	40/35	1	30.4	40	1	22.4	30
	16.2 (162)	19	1	50.0	60	1	44.0	60	1	29.3	30	1	17.2	25
	11.2 (112)	13	1	36.1	45	1	31.9	40	1	17.9	25	1	12.4	20

*Berner reserves the right to alter specifications without prior notice.*



# ARCHITECTURAL ICON 8 - EC MOTORS

## Electric Heated Air Curtain Electrical Performance Sheet

MODEL	kW (code)	Temp Rise °F	# CKTS	120/1/60 - 480/3/60 (voltage code K) 120V MOTOR AMP DRAW = 4.4 each				208/1/60 - 480/3/60 (voltage code S) 208V MOTOR AMP DRAW = 2.5 each				240/1/60 - 480/3/60 (voltage code U) 240V MOTOR AMP DRAW = 2.5 each				380/3/50 (voltage code O) 4 Wire System MOTOR AMP DRAW = 2.5 each				
				AMPS PER CIRCUIT		BREAKER RATING PER CIRCUIT		# CKTS	AMPS PER CIRCUIT		BREAKER RATING PER CIRCUIT		# CKTS	AMPS PER CIRCUIT		BREAKER RATING PER CIRCUIT		# CKTS	AMPS PER CIRCUIT (including motor)	BREAKER RATING PER CIRCUIT
				120V/1	480V/3	120V/1	480V/3		208V/1	480V/3	208V/1	480V/3		240V/1	480V/3	240V/1	480V/3			
AI08-E-1036E AI08-E-1042E	10 (100)	30	2	4.4	12.0	15	15	2	2.5	12.0	15	15	2	2.5	12.0	15	15	1	17.7	25
	7.5 (075)	23	2	4.4	9.0	15	15	2	2.5	9.0	15	15	2	2.5	9.0	15	15	1	13.9	20
	5.6 (056)	17	2	4.4	6.7	15	15	2	2.5	6.7	15	15	2	N/A	6.7	15	15	1	11.0	15
	4 (040)	12	2	4.4	4.8	15	15	2	2.5	4.8	15	15	2	N/A	4.8	15	15	1	8.6	15
AI08-E-1048E AI08-E-1060E	14.4 (144)	33	2	4.4	17.3	15	25	2	2.5	17.3	15	25	2	2.5	17.3	15	25	1	24.4	35
	10.8 (108)	25	2	4.4	13.0	15	20	2	2.5	13.0	15	20	2	2.5	13.0	15	20	1	18.9	25
	8.1 (081)	19	2	4.4	9.7	15	15	2	2.5	9.7	15	15	2	2.5	9.7	15	15	1	14.8	20
	5.6 (056)	13	2	4.4	6.7	15	15	2	2.5	6.7	15	15	2	2.5	6.7	15	15	1	11.0	15
AI08-E-1072E	20 (200)	30	2	4.4	24.1	15	35	2	2.5	24.1	15	35	2	2.5	24.1	15	35	1	32.9	45
	15 (150)	23	2	4.4	18.0	15	25	2	2.5	18.0	15	25	2	2.5	18.0	15	25	1	25.3	35
	11.2 (112)	17	2	4.4	13.5	15	20	2	2.5	13.5	15	20	2	2.5	13.5	15	20	1	19.5	25
	8 (080)	12	2	4.4	9.6	15	15	2	2.5	9.6	15	15	2	2.5	9.6	15	15	1	14.7	20
AI08-E-2084E	20 (200)	26	2	8.8	24.1	15	35	2	5.0	24.1	15	35	2	5.0	24.1	15	35	1	35.4	45
	15 (150)	20	2	8.8	18.0	15	25	2	5.0	18.0	15	25	2	5.0	18.0	15	25	1	27.8	35
	11.2 (112)	15	2	8.8	13.5	15	20	2	5.0	13.5	15	20	2	5.0	13.5	15	20	1	22.0	30
	8 (080)	10	2	8.8	9.6	15	15	2	5.0	9.6	15	15	2	5.0	9.6	15	15	1	17.2	25
AI08-E-2096E AI08-E-2108E AI08-E-2120E	28.8 (288)	33	2	8.8	34.6	15	45	2	5.0	34.6	15	45	2	5.0	34.6	15	45	1	48.8	60
	21.6 (216)	25	2	8.8	26.0	15	35	2	5.0	26.0	15	35	2	5.0	26.0	15	35	1	37.8	50
	16.2 (162)	19	2	8.8	19.5	15	25	2	5.0	19.5	15	25	2	5.0	19.5	15	25	1	29.6	40
	11.2 (112)	13	2	8.8	13.5	15	20	2	5.0	13.5	15	20	2	5.0	13.5	15	20	-	22.0	30

*Berner reserves the right to alter specifications without prior notice.*





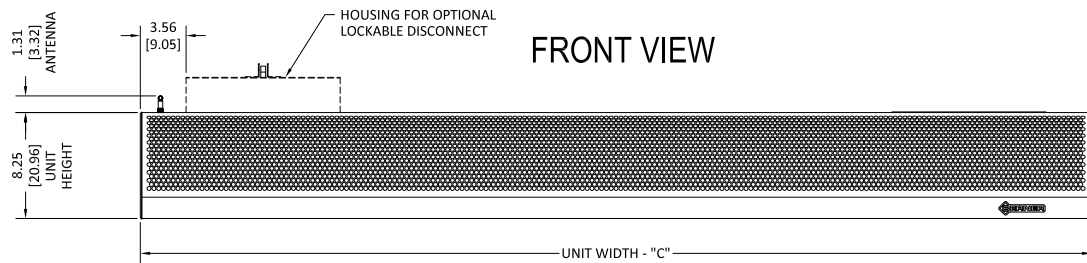
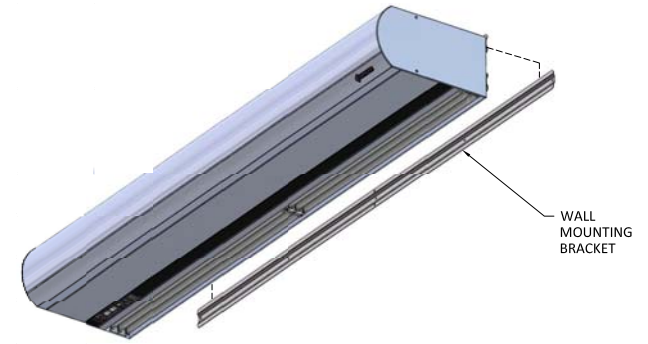
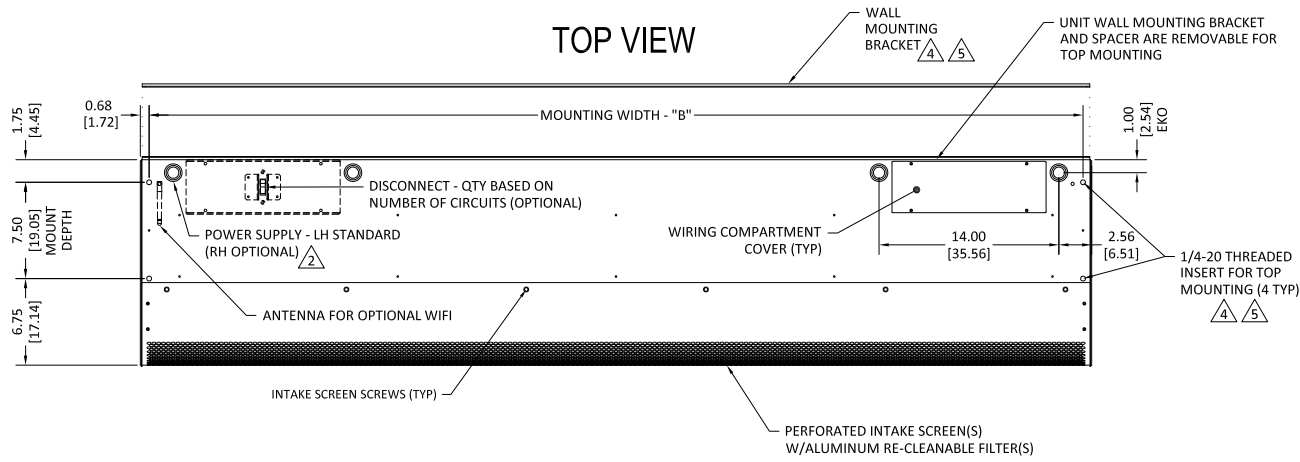
# ARCHITECTURAL ICON 8 - EC MOTORS

## Electric Heated Air Curtain Electrical Performance Sheet

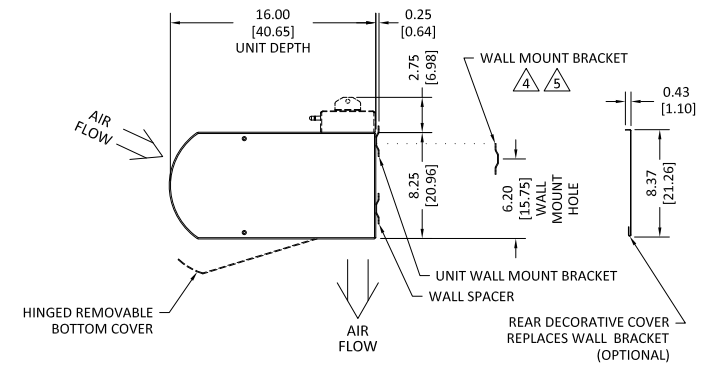
MODEL	kW (code)	Temp Rise °F	120/1/60 - 600/3/60 (voltage code L) 120V MOTOR AMP DRAW = 4.4 each				208/1/60 - 600/3/60 (voltage code M) 208V MOTOR AMP DRAW = 2.5 each				240/1/60 - 600/3/60 (voltage code N) 240V MOTOR AMP DRAW = 2.5 each						
			# CKTS	AMPS PER CIRCUIT		BREAKER RATING PER CIRCUIT		# CKTS	AMPS PER CIRCUIT		BREAKER RATING PER CIRCUIT		# CKTS	AMPS PER CIRCUIT		BREAKER RATING PER CIRCUIT	
				120V/1	600V/3	120V/1	600V/3		208V/1	600V/3	208V/1	600V/3		240V/1	600V/3	240V/1	600V/3
AI08-E-1036E AI08-E-1042E	10 (100)	30	2	4.4	9.6	15	15	2	2.5	9.6	15	15	2	2.5	9.6	15	15
	7.5 (075)	23	2	4.4	7.2	15	15	2	2.5	7.2	15	15	2	2.5	7.2	15	15
	5.6 (056)	17	2	4.4	5.4	15	15	2	2.5	5.4	15	15	2	2.5	5.4	15	15
	4 (040)	12	2	4.4	3.8	15	15	2	2.5	3.8	15	15	2	2.5	3.8	15	15
AI08-E-1048E AI08-E-1060E	14.4 (144)	33	2	4.4	13.9	15	20	2	2.5	13.9	15	20	2	2.5	13.9	15	20
	10.8 (108)	25	2	4.4	10.4	15	15	2	2.5	10.4	15	15	2	2.5	10.4	15	15
	8.1 (081)	19	2	4.4	7.8	15	15	2	2.5	7.8	15	15	2	2.5	7.8	15	15
	5.6 (056)	13	2	4.4	5.4	15	15	2	2.5	5.4	15	15	2	2.5	5.4	15	15
AI08-E-1072E	20 (200)	30	2	4.4	19.2	15	25	2	2.5	19.2	15	25	2	2.5	19.2	15	25
	15 (150)	23	2	4.4	14.4	15	20	2	2.5	14.4	15	20	2	2.5	14.4	15	20
	11.2 (112)	17	2	4.4	10.8	15	15	2	2.5	10.8	15	15	2	2.5	10.8	15	15
	8 (080)	12	2	4.4	7.7	15	15	2	2.5	7.7	15	15	2	2.5	7.7	15	15
AI08-E-2084E	20 (200)	26	2	8.8	19.2	15	25	2	5.0	19.2	15	25	2	5.0	19.2	15	25
	15 (150)	20	2	8.8	14.4	15	20	2	5.0	14.4	15	20	2	5.0	14.4	15	20
	11.2 (112)	15	2	8.8	10.8	15	15	2	5.0	10.8	15	15	2	5.0	10.8	15	15
	8 (080)	10	2	8.8	7.7	15	15	2	5.0	7.7	15	15	2	5.0	7.7	15	15
AI08-E-2096E AI08-E-2108E AI08-E-2120E	28.8 (288)	33	2	8.8	27.7	15	35	2	5.0	27.7	15	35	2	5.0	27.7	15	35
	21.6 (216)	25	2	8.8	20.8	15	30	2	5.0	20.8	15	30	2	5.0	20.8	15	30
	16.2 (162)	19	2	8.8	15.6	15	20	2	5.0	15.6	15	20	2	5.0	15.6	15	20
	11.2 (112)	13	2	8.8	10.8	15	15	2	5.0	10.8	15	15	2	5.0	10.8	15	15

*Berner reserves the right to alter specifications without prior notice.*

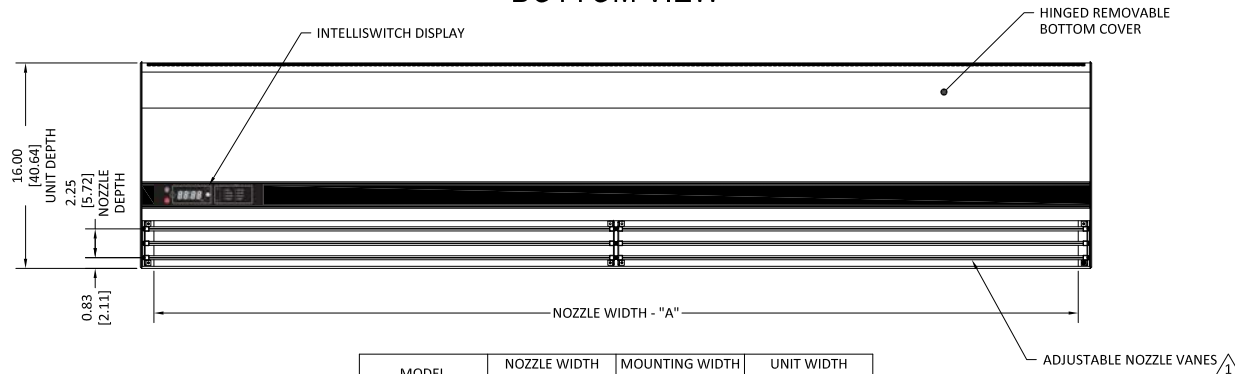
# AI08-E ELECTRIC HEATED SYSTEM: 208 - 480V



## END VIEW



## BOTTOM VIEW



MODEL	NOZZLE WIDTH "A"	MOUNTING WIDTH "B"	UNIT WIDTH "C"
AI08-E-1036E	36.00 [91.44]	36.75 [93.35]	38.13 [96.84]
AI08-E-1042E	42.00 [106.68]	42.75 [108.59]	44.13 [112.08]
AI08-E-1048E	48.00 [121.92]	48.75 [123.83]	50.13 [127.32]
AI08-E-1060E	59.00 [149.86]	59.75 [151.76]	61.13 [155.26]
AI08-E-1072E	72.00 [182.88]	72.75 [184.79]	74.13 [188.28]
AI08-E-2084E	84.00 [213.36]	84.75 [215.27]	86.13 [218.76]
AI08-E-2096E	96.00 [243.84]	96.75 [245.75]	98.13 [249.24]
AI08-E-2108E	108.00 [274.32]	108.75 [276.23]	110.13 [279.72]
AI08-E-2120E	118.00 [299.72]	118.75 [301.63]	120.13 [305.12]

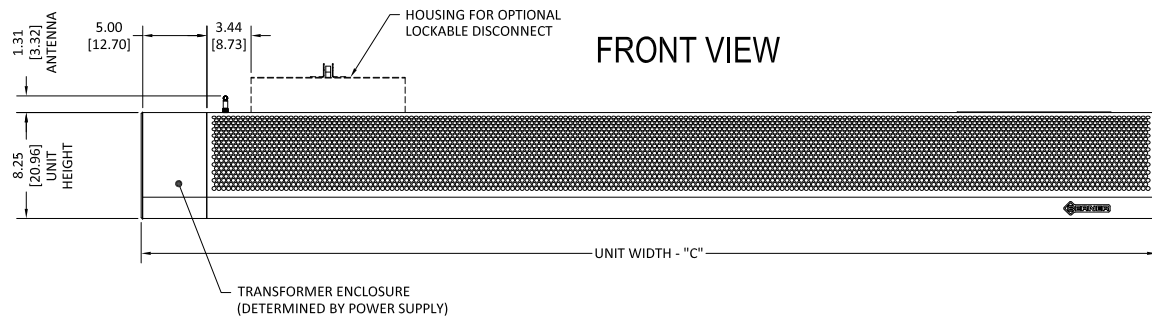
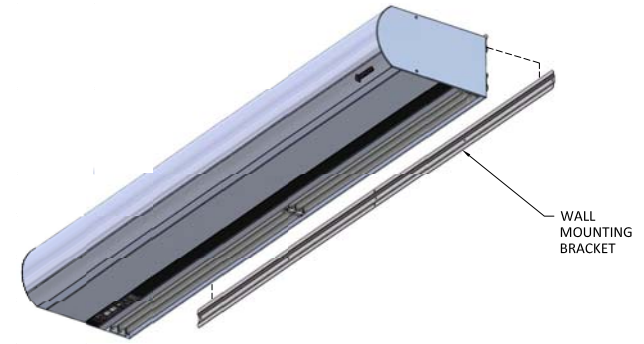
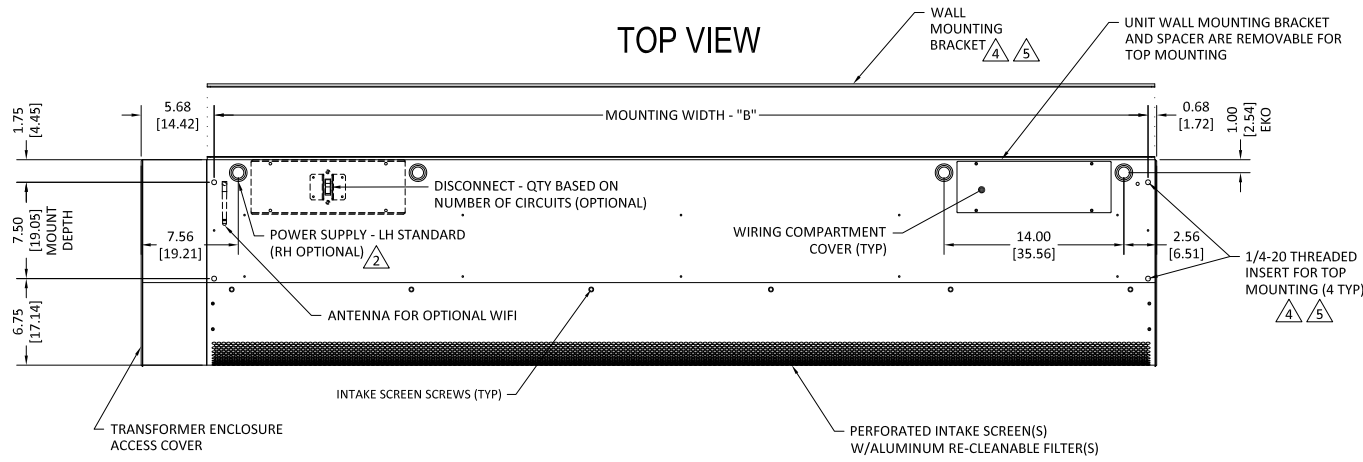
## NOTES:

- 1 AIR CURTAIN MUST BE INSTALLED SO AIR STREAM IS NOT OBSTRUCTED WHEN DEFLECTED 20° TO EITHER SIDE OF  $\zeta$ .
- 2 ELECTRICAL CONNECTIONS TO BE FLEXIBLE.
- 3 FIELD VERIFY DIMENSIONS.
- 4 ANCHORS TO SUPPORTING STRUCTURE BY OTHERS.
- 5 ADEQUACY OF SUPPORTING STRUCTURE IS TO BE VERIFIED BY A PROFESSIONAL STRUCTURAL ENGINEER.
- 6 THE LAST CHARACTER IN THE MODEL NUMBER - "E" DESIGNATES ELECTRIC HEATED UNIT.
- 7 DIMENSIONS IN INCHES [CENTIMETERS].

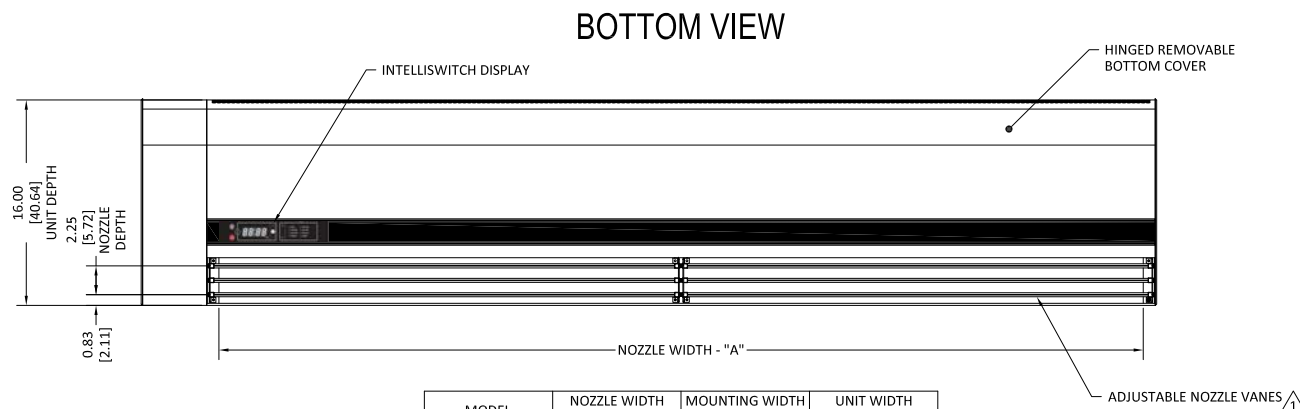
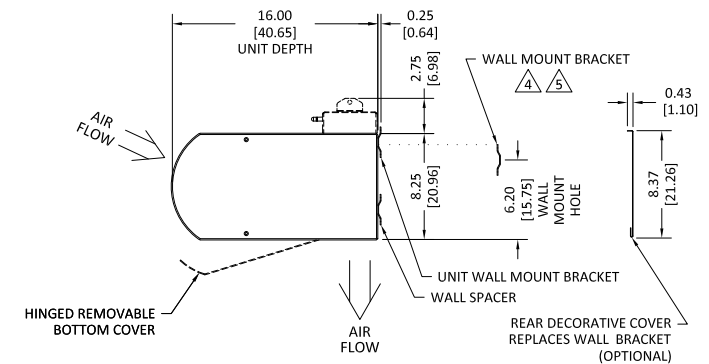
SHEET 1 OF 1

PROJECT		REV	-
LOCATION			
ARCHITECT			
ENGINEER			
DWG. NO.	AI08-E-ELE-208	TITLE:	<b>BERNER</b> MODEL AI08-E AIR CURTAIN 208 - 480V ELECTRIC HEATED SYSTEM
DATE	22FEB2023		
BY	D.Johnson		
REPLACES	-		
BY	-		BERNER INTERNATIONAL CORP. NEW CASTLE, PA.

# AI08-E ELECTRIC HEATED SYSTEM: 600V



## END VIEW



MODEL	NOZZLE WIDTH "A"	MOUNTING WIDTH "B"	UNIT WIDTH "C"
AI08-E-1036E	36.00 [91.44]	36.75 [93.35]	43.125 [109.54]
AI08-E-1042E	42.00 [106.68]	42.75 [108.59]	49.125 [124.78]
AI08-E-1048E	48.00 [121.92]	48.75 [123.83]	55.13 [140.02]
AI08-E-1060E	59.00 [149.86]	59.75 [151.76]	66.13 [167.96]
AI08-E-1072E	72.00 [182.88]	72.75 [184.79]	79.13 [200.98]
AI08-E-2084E	84.00 [213.36]	84.75 [215.27]	91.13 [231.46]
AI08-E-2096E	96.00 [243.84]	96.75 [245.75]	103.13 [261.94]
AI08-E-2108E	108.00 [274.32]	108.75 [276.23]	115.13 [292.42]
AI08-E-2120E	118.00 [299.72]	118.75 [301.63]	125.13 [317.82]

## NOTES:

- 1 AIR CURTAIN MUST BE INSTALLED SO AIR STREAM IS NOT OBSTRUCTED WHEN DEFLECTED 20° TO EITHER SIDE OF C.
- 2 ELECTRICAL CONNECTIONS TO BE FLEXIBLE.
- 3 FIELD VERIFY DIMENSIONS.
- 4 ANCHORS TO SUPPORTING STRUCTURE BY OTHERS.
- 5 ADEQUACY OF SUPPORTING STRUCTURE IS TO BE VERIFIED BY A PROFESSIONAL STRUCTURAL ENGINEER.
- 6 THE LAST CHARACTER IN THE MODEL NUMBER - "E" DESIGNATES ELECTRIC HEATED UNIT.
- 7 DIMENSIONS IN INCHES [CENTIMETERS].

SHEET 1 OF 1

PROJECT		REV	-
LOCATION			
ARCHITECT			
ENGINEER			
DWG. NO.	AI08-E-ELE-600	TITLE:	<b>BERNER</b>
DATE	24FEB2023		MODEL AI08-E AIR CURTAIN 600V ELECTRIC HEATED SYSTEM
BY	D.Johnson		
REPLACES	-		
BY	-		BERNER INTERNATIONAL CORP. NEW CASTLE, PA.