

Recommended for Mounting Heights to 10' (environmental separation) and 8' (insect control)

#### STANDARD CONSTRUCTION

- 12 3/4" high x 22" deep
- 1/2 hp motor(s) - ten speeds
- Factory installed Intelliswitch™ digital controller
- Clear satin anodized aluminum exterior
- Wall or Top Mounting
- High efficiency, low noise, articulating, three vane, Pro-V Nozzle
- Factory installed coil
- Filter (washable)

Energy Codes ASHRAE 90.1-2019, IECC 2018, and ASHRAE 189.1 vestibule exception validated by AMCA certification. Refer to Velocity Projection Chart below for information.



Berner International certifies that the air curtains shown herein are licensed to bear the AMCA Seal. The ratings shown are based on tests and procedures performed in accordance with AMCA Publication 211 and comply with the requirements of the AMCA Certified Ratings Program. Rated data shown is for base (steam heated) units. The AMCA Certified Ratings Seal applies to airflow rate, average outlet velocity, outlet velocity uniformity, velocity projection and power rating at free delivery only.

#### OPTIONS

- 1/2 hp EC motor(s) - ten speeds
- Custom Color or Stainless
- Rear cover for top mounting to conceal fasteners
- Berner AIR™ (smart controller & app, includes BACnet)

2 Year Limited Warranty



MODEL	Nozzle Width (in)	Max Vel. at Nozzle (fpm)	Avg. Outlet Vel. (fpm)	Air Volume (cfm)	Outlet Vel. Uniformity	Power Rating (kW)	Motor(s) @ hp	Coil Output (MBH)	Inlet Pressure (PSIG)	Condensate (lbs/hr)	Air Temp. Rise (°F)	Net Wt. (lbs)
AI10-E-1036S	36.00	3,522	1,916	1,317	80%	0.49	1 @ 1/2	58.6	5	60.4	41°	110
AI10-E-1042S	42.00	3,429	1,709	1,371	82%	0.50	1 @ 1/2	65.1	5	67.1	44°	122
AI10-E-1048S	48.00	4,040	1,833	1,680	90%	0.63	1 @ 1/2	77.8	5	80.1	43°	141
AI10-E-1060S	59.00	4,146	1,541	1,736	85%	0.63	1 @ 1/2	88.7	5	91.4	47°	156
AI10-E-2072S	72.00	3,522	1,916	2,634	80%	0.98	2 @ 1/2	121.6	5	125.3	43°	216
AI10-E-2084S	84.00	3,429	1,709	2,742	82%	1.00	2 @ 1/2	134.1	5	138.2	45°	240
AI10-E-2096S	96.00	4,040	1,833	3,360	90%	1.26	2 @ 1/2	159.7	5	164.6	44°	278
AI10-E-2108S	108.00	4,146	1,656	3,416	85%	1.26	2 @ 1/2	170.6	5	175.8	46°	293
AI10-E-2120S	118.00	4,146	1,541	3,472	85%	1.26	2 @ 1/2	178.7	5	184.2	48°	306
AI10-E-3132S	132.00	4,040	1,855	4,677	80%	1.75	3 @ 1/2	222.6	5	229.4	44°	384
AI10-E-3144S	144.00	4,040	1,833	5,040	90%	1.89	3 @ 1/2	241.6	5	249.0	44°	415

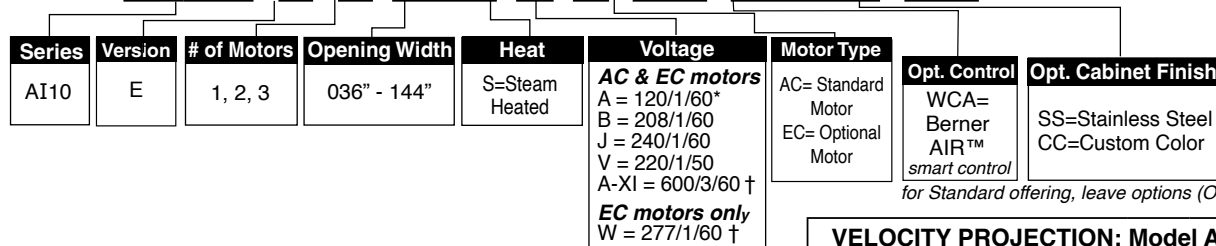
See sheets EP-294E-AC & EP-294E-EC for amp draws/total load requirements. 600/3/60 power supply includes extended cabinet, See drawing AI10-E-STM-600

#### NOTES:

- Standard connection same end supply/return.
- Coil should be field supplied with a solenoid/control valve that energizes only when air curtain is energized. Consideration must be taken for freeze protection when necessary.
- Coil performance based on 65°F entering air temperature.
- Maximum leaving air temperature shall not exceed 120F.
- Consult factory for alternate steam pressures.
- Operation of standard motor (AC) at 50Hz will generate a 17% reduction in performance; no reduction for optional EC motors.

## MODEL NUMBER CONFIGURATION

### AI10-E-1 036 S A-AC-WCA -SS



Sound level measured 10' (3m) from the unit in free field:  
 1 motor: Min./Max. Speed: 53/56 dBA  
 2 motors: Min./Max. Speed: 56/59 dBA  
 3 motors: Min./Max. Speed: 59/61 dBA

Sound data is not AMCA certified.

\*Suitable for 50 Hz  
 † Cabinet width increases for transformer

VELOCITY PROJECTION: Model AI10-E-1036S				
Distance from Nozzle (in)	40	80	120	160
Core Velocity (fpm)	1259	876	856	742
Uniformity (%)	83%	88%	92%	96%

ASHRAE 90.1-2019 vestibule exception requires, "a jet velocity of not less than 6.6 feet per second (400 fpm; 2.0 m/s) at 6.0 in (15 cm) above the floor."

Berner reserves the right to alter specifications without prior notice.



# ARCHITECTURAL ICON 10 - AC MOTORS

## Steam Heated Air Curtain Electrical Performance Sheet

		120/1/60 (voltage code A) MOTOR AMP DRAW = 8.5 each		208/1/60 (voltage code B) MOTOR AMP DRAW = 4.3 each			240/1/60 (voltage code J) or 220/1/50 (voltage code V) MOTOR AMP DRAW = 4.3 each		
MODEL	# CKTS	AMPS PER CIRCUIT	BREAKER RATING PER CIRCUIT	# CKTS	AMPS PER CIRCUIT	BREAKER RATING PER CIRCUIT	# CKTS	AMPS PER CIRCUIT	BREAKER RATING PER CIRCUIT
AI10-E-1036S AI10-E-1042S AI10-E-1048S AI10-E-1060S	1	8.5	15	1	4.3	15	1	4.3	15
AI10-E-2072S AI10-E-2084S AI10-E-2096S AI10-E-2108S AI10-E-2120S	1	17.0	25	1	8.6	15	1	8.6	15
AI10-E-3132S AI10-E-3144S	1	25.5	35	1	12.9	20	1	12.9	20

		600/3/60 (voltage code A-XI) XFMR 600/120 1 kVA per MTR @ 1.7 each MOTOR AMP DRAW= 6.6 each @ 120V		* Consult Factory 277/1/60 (voltage code W) MOTOR AMP DRAW = *.* each		
MODEL	# CKTS	AMPS PER CIRCUIT	BREAKER RATING PER CIRCUIT	# CKTS	AMPS PER CIRCUIT	BREAKER RATING PER CIRCUIT
AI10-E-1036S AI10-E-1042S AI10-E-1048S AI10-E-1060S	1	1.7	15	*	*	*
AI10-E-2072S AI10-E-2084S AI10-E-2096S AI10-E-2108S AI10-E-2120S	1	3.3	15	*	*	*
AI10-E-3132S AI10-E-3144S	1	5.0	15	*	*	*

Berner reserves the right to alter specifications without prior notice.

[www.berner.com](http://www.berner.com) **Berner International** 800.245.4455  
111 Progress Ave. / New Castle / PA / 16101 / USA

EP-294E-AC  
June, 2023



# ARCHITECTURAL ICON 10 - EC MOTORS

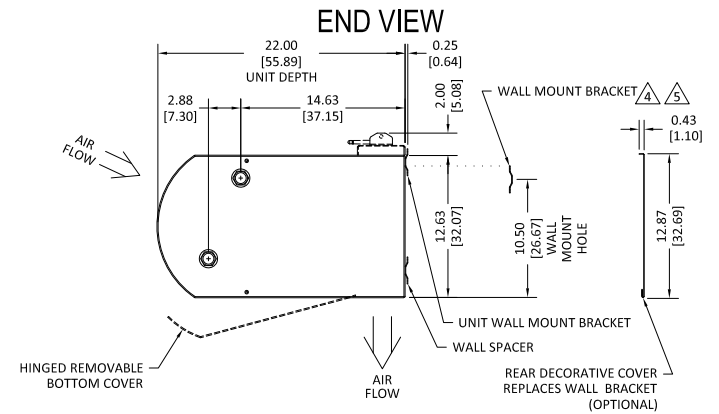
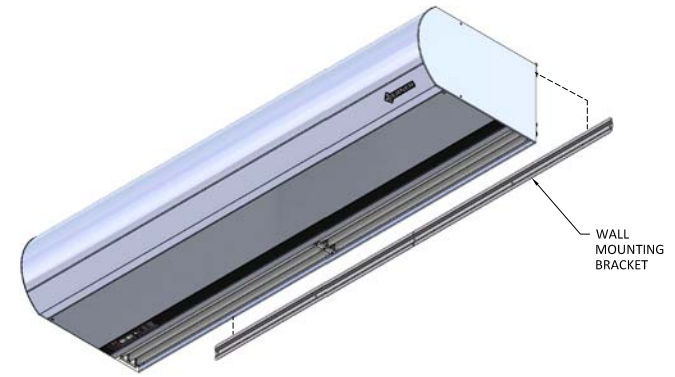
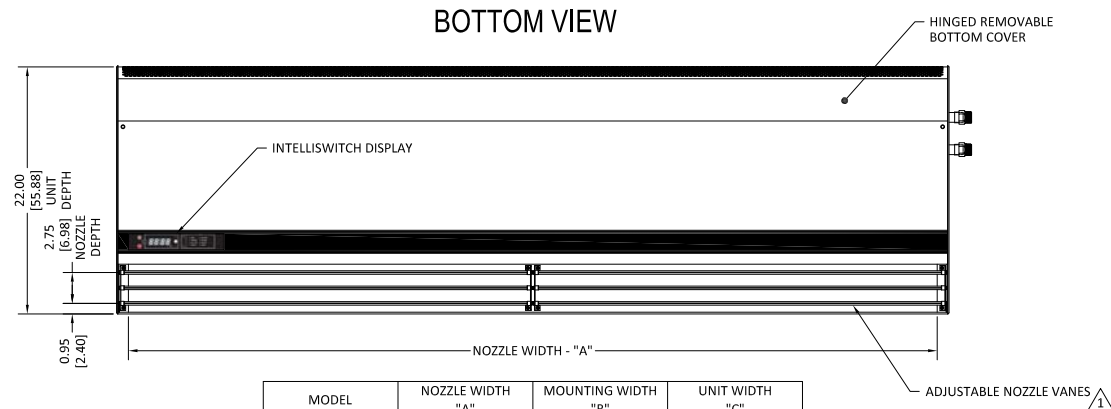
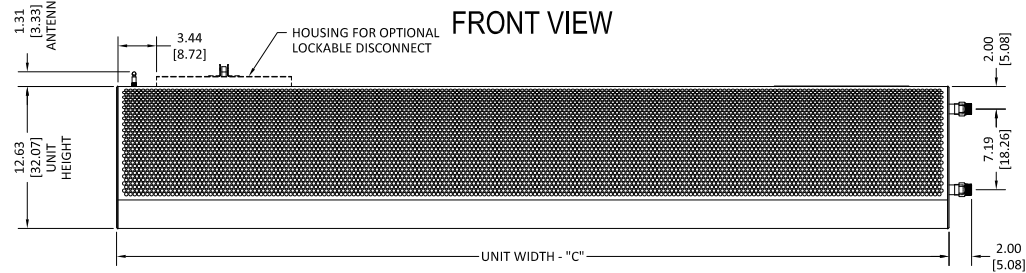
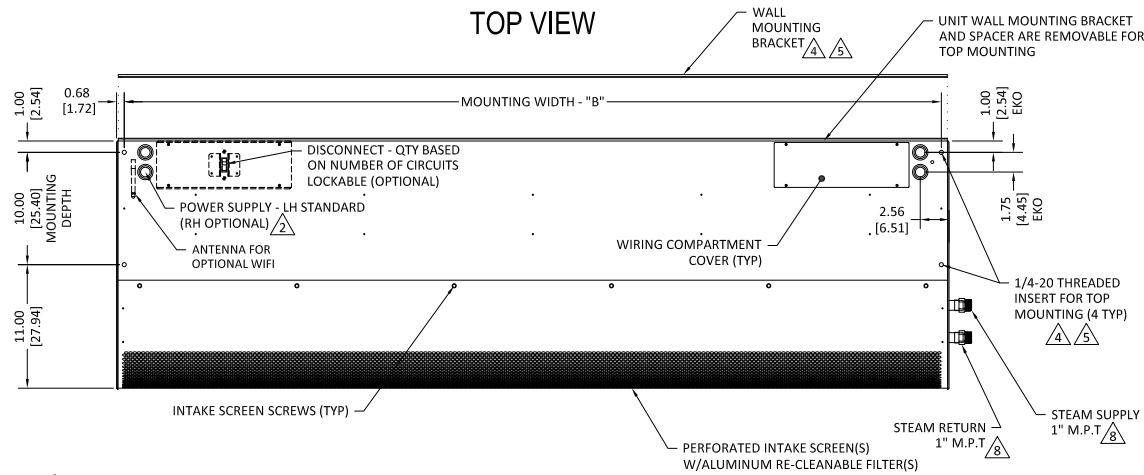
## Steam Heated Air Curtain Electrical Performance Sheet

		120/1/60 (voltage code A) MOTOR AMP DRAW = 6.6 each		208/1/60 (voltage code B) MOTOR AMP DRAW = 4.1 each			240/1/60 (voltage code J) or 220/1/50 (voltage code V) MOTOR AMP DRAW = 4.1 each		
MODEL	# CKTS	AMPS PER CIRCUIT	BREAKER RATING PER CIRCUIT	# CKTS	AMPS PER CIRCUIT	BREAKER RATING PER CIRCUIT	# CKTS	AMPS PER CIRCUIT	BREAKER RATING PER CIRCUIT
AI10-E-1036S AI10-E-1042S AI10-E-1048S AI10-E-1060S	1	6.6	15	1	4.1	15	1	4.1	15
AI10-E-2072S AI10-E-2084S AI10-E-2096S AI10-E-2108S AI10-E-2120S	1	13.2	20	1	8.2	15	1	8.2	15
AI10-E-3132S AI10-E-3144S	1	19.8	25	1	12.3	20	1	12.3	20

		600/3/60 (voltage code A-XI) XFMR 600/120 1 kVA per MTR @ 1.7 each MOTOR AMP DRAW= 6.6 each @ 120V		277/1/60 (voltage code W) MOTOR AMP DRAW = 3.6 each		
MODEL	# CKTS	AMPS PER CIRCUIT	BREAKER RATING PER CIRCUIT	# CKTS	AMPS PER CIRCUIT	BREAKER RATING PER CIRCUIT
AI10-E-1036S AI10-E-1042S AI10-E-1048S AI10-E-1060S	1	1.7	15	1	3.6	15
AI10-E-2072S AI10-E-2084S AI10-E-2096S AI10-E-2108S AI10-E-2120S	1	3.3	15	1	7.2	15
AI10-E-3132S AI10-E-3144S	1	5.0	15	1	10.8	15

Berner reserves the right to alter specifications without prior notice.

# A110-E STEAM HEATED SYSTEM: 120 - 277V



MODEL	NOZZLE WIDTH "A"	MOUNTING WIDTH "B"	UNIT WIDTH "C"
A110-E-1036S	36.00 [91.44]	36.75 [93.35]	38.13 [96.84]
A110-E-1042S	42.00 [106.68]	42.75 [108.59]	44.13 [112.08]
A110-E-1048S	48.00 [121.92]	48.75 [123.83]	50.13 [127.32]
A110-E-1060S	59.00 [149.86]	59.75 [151.77]	61.13 [155.26]
A110-E-2072S	72.00 [182.88]	72.75 [184.79]	74.13 [188.28]
A110-E-2084S	84.00 [213.36]	84.75 [215.27]	86.13 [218.76]
A110-E-2096S	96.00 [243.84]	96.75 [245.75]	98.13 [249.24]
A110-E-2108S	108.00 [274.32]	108.75 [276.23]	110.13 [279.72]
A110-E-2120S	118.00 [299.72]	118.75 [301.63]	120.13 [305.12]
A110-E-3132S	132.00 [335.28]	132.75 [337.19]	134.13 [340.68]
A110-E-3144S	144.00 [365.76]	144.75 [367.67]	146.13 [371.16]

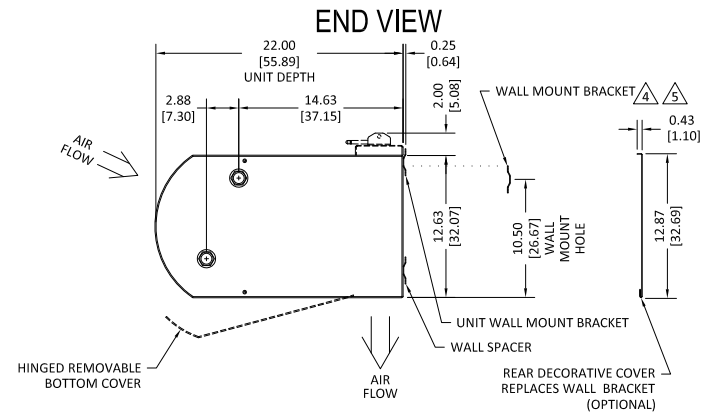
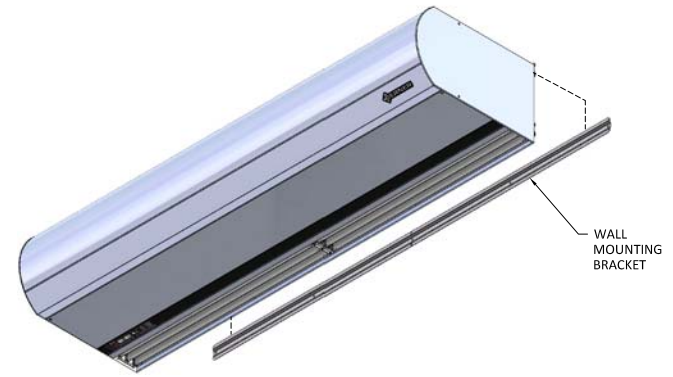
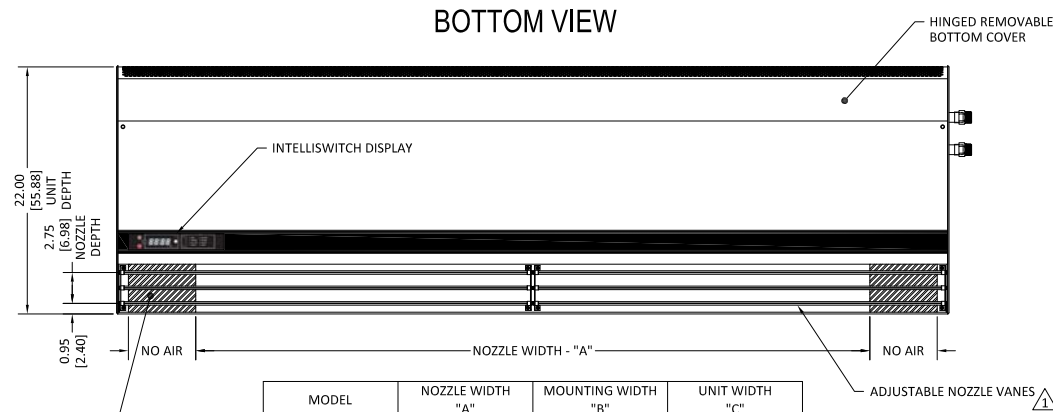
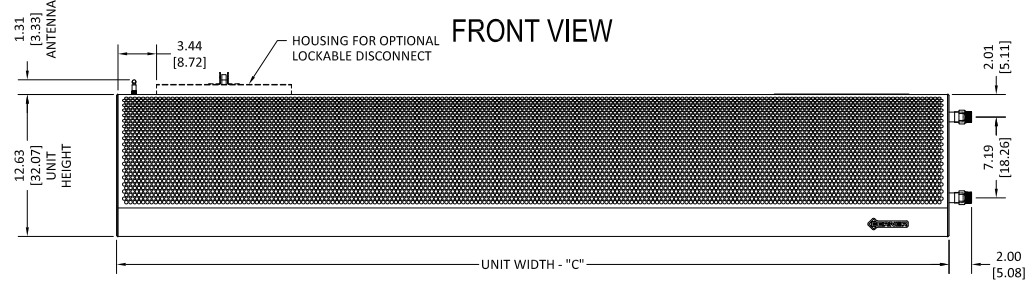
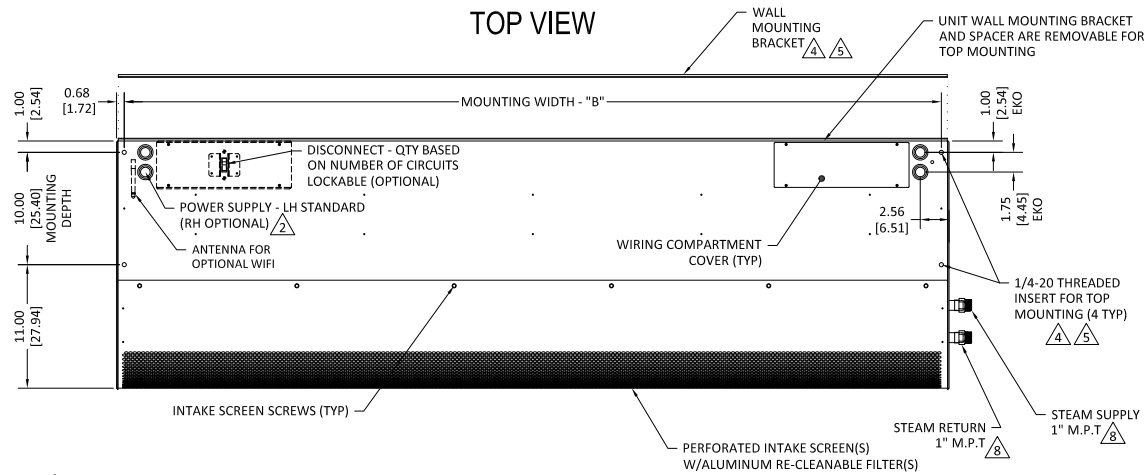
## NOTES:

- 1 AIR CURTAIN MUST BE INSTALLED SO AIR STREAM IS NOT OBSTRUCTED WHEN DEFLECTED 20° TO EITHER SIDE OF C.
- 2 ELECTRICAL CONNECTIONS TO BE FLEXIBLE.
- 3 FIELD VERIFY DIMENSIONS.
- 4 ANCHORS TO SUPPORTING STRUCTURE BY OTHERS.
- 5 ADEQUACY OF SUPPORTING STRUCTURE IS TO BE VERIFIED BY A PROFESSIONAL STRUCTURAL ENGINEER.
- 6 THE LAST CHARACTER IN THE MODEL NUMBER - "S" DESIGNATES STEAM HEATED UNIT.
- 7 DIMENSIONS IN INCHES [CENTIMETERS].
- 8 COIL CONNECTIONS RH STANDARD (AS SHOWN), OPTIONAL LH.

SHEET 1 OF 1

PROJECT		REV	-
LOCATION			
ARCHITECT			
ENGINEER			
DWG. NO.	A110-E-STM-120	TITLE:	<b>BERNER</b>
DATE	24FEB2023		MODEL A110-E AIR CURTAIN 120 - 277V STEAM HEATED SYSTEM
BY	D. Johnson		
REPLACES	-		
BY	-		BERNER INTERNATIONAL CORP. NEW CASTLE, PA.

# A110-E STEAM HEATED SYSTEM: 600V



## NOTES:

- 1 AIR CURTAIN MUST BE INSTALLED SO AIR STREAM IS NOT OBSTRUCTED WHEN DEFLECTED 20° TO EITHER SIDE OF C.
- 2 ELECTRICAL CONNECTIONS TO BE FLEXIBLE.
- 3 FIELD VERIFY DIMENSIONS.
- 4 ANCHORS TO SUPPORTING STRUCTURE BY OTHERS.
- 5 ADEQUACY OF SUPPORTING STRUCTURE IS TO BE VERIFIED BY A PROFESSIONAL STRUCTURAL ENGINEER.
- 6 THE LAST CHARACTER IN THE MODEL NUMBER - "S" DESIGNATES STEAM HEATED UNIT.
- 7 DIMENSIONS IN INCHES [CENTIMETERS].
- 8 COIL CONNECTIONS RH STANDARD (AS SHOWN), OPTIONAL LH.
- 9 NO AIR FLOW, AREA HOUSES TRANSFORMER. CENTER ACTIVE NOZZLE WIDTH DIMENSION "A" OVER THE OPENING.

INACTIVE NOZZLE AREA FOR TRANSFORMER ENCLOSURE. CENTER ACTIVE NOZZLE WIDTH DIMENSION "A" OVER THE OPENING.

MODEL	NOZZLE WIDTH "A"	MOUNTING WIDTH "B"	UNIT WIDTH "C"
A110-E-1036S	36.00 [91.44]	48.75 [123.83]	50.13 [127.32]
A110-E-1042S	42.00 [106.68]	48.75 [123.83]	50.13 [127.32]
A110-E-1048S	48.00 [121.92]	59.75 [151.77]	61.13 [155.26]
A110-E-1060S	59.00 [149.86]	72.75 [184.79]	74.13 [188.28]
A110-E-2072S	72.00 [182.88]	84.75 [215.27]	86.13 [218.76]
A110-E-2084S	84.00 [213.36]	96.75 [245.75]	98.13 [249.24]
A110-E-2096S	96.00 [243.84]	108.75 [276.23]	110.13 [279.72]
A110-E-2108S	108.00 [274.32]	118.75 [301.63]	120.13 [305.12]
A110-E-2120S	120.00 [304.80]	132.75 [337.19]	134.13 [340.68]
A110-E-3132S	132.00 [335.28]	144.75 [367.67]	146.13 [371.16]
A110-E-3144S	144.00 [365.76]	156.75 [398.15]	158.13 [401.64]

SHEET 1 OF 1

PROJECT	REV	A
LOCATION		
ARCHITECT		
ENGINEER		
DWG. NO.	A110-E-STM-600	TITLE: <b>BERNER</b>
DATE	10JUL2023	MODEL A110-E AIR CURTAIN 600V STEAM HEATED SYSTEM
BY	D. Johnson	
REPLACES	24FEB2023	
BY	D. Johnson	BERNER INTERNATIONAL CORP. NEW CASTLE, PA.