

For Mounting Heights To 10' (environmental separation) and 8' (insect control)

STANDARD CONSTRUCTION

- 14 1/2" high x 28 1/4" deep
- 1/2 hp EC motor(s)
- Intelliswitch™ digital controller - ten speeds
- Berner AIR™ (smart controller & app) includes BACnet
- Cabinet: Brushed Stainless Steel, Grade 304 or better
- Bottom Panel: Clear satin anodized aluminum (Optional: White Aluminum, Custom Color or Stainless)
- Wall or Top Mounting
- High efficiency, low noise, articulating Pro-V Nozzle
- Filter (washable)
- Optional: Rear cover for top mounting to conceal fasteners

Energy Codes ASHRAE 90.1-2019, IECC 2018, and ASHRAE 189.1 vestibule exception validated by AMCA certification. Refer to Velocity Projection Chart below for information.



Berner International certifies that the air curtains shown herein are licensed to bear the AMCA Seal. The ratings shown are based on tests and procedures performed in accordance with AMCA Publication 211 and comply with the requirements of the AMCA Certified Ratings Program. Rated data shown is for base (unheated) units. The AMCA Certified Ratings Seal applies to airflow rate, average outlet velocity, outlet velocity uniformity, velocity projection and power rating at free delivery only.

5 Year Limited Warranty



indoor use

MODEL	Nozzle Width (in)	Max Vel. at Nozzle (fpm)	Avg. Outlet Vel. (fpm)	Air Volume (cfm)	Outlet Vel. Uniformity	Power Rating (kW)	Motor(s) @ hp	Net Wt. (lbs)
AE10-E-1036A	36.00	3,365	2,333	1,604	76%	0.60	1 @ 1/2	100
AE10-E-1042A	42.00	3,609	1,910	1,532	74%	0.58	1 @ 1/2	112
AE10-E-1048A	48.00	3,588	1,675	1,535	68%	0.59	1 @ 1/2	125
AE10-E-2060A	60.00	3,660	1,930	2,212	77%	0.82	2 @ 1/2	168
AE10-E-2072A	72.00	3,365	2,333	3,208	76%	1.20	2 @ 1/2	193
AE10-E-2084A	84.00	3,609	1,910	3,064	74%	1.16	2 @ 1/2	218
AE10-E-2096A	96.00	3,588	1,675	3,070	68%	1.18	2 @ 1/2	244
AE10-E-3096A	96.00	3,660	2,081	3,816	76%	1.42	3 @ 1/2	262
AE10-E-3108A	108.00	3,365	2,333	4,812	76%	1.80	3 @ 1/2	287
AE10-E-3120A	117.00	3,588	2,123	4,743	68%	1.79	3 @ 1/2	306
AE10-E-3132A	132.00	3,588	1,854	4,674	68%	1.78	3 @ 1/2	337
AE10-E-3144A	144.00	3,588	1,675	4,605	68%	1.77	3 @ 1/2	362
AE10-E-4144A	144.00	3,365	2,333	6,416	76%	2.40	4 @ 1/2	380

See sheet EP-230E for amp draws/total load requirements.

600/3/60 power supply includes extended cabinet, See drawings AE10-E-AMB-TR1 & AE10-E-AMB-TR2.

MODEL NUMBER CONFIGURATION

AE10-E-1 036 A A-EC-WCA -TB-SA

Series	Version	# of Motors	Opening Width	Heat	Voltage	Motor Type	Control	Opt. Display	Material/Finish	
AE10	E	1, 2, 3, 4	036" - 144"	A=Ambient	A = 120/1/60* B = 208/1/60 J = 240/1/60 V = 220/1/50 W = 277/1/60 A-XI = 600/3/60 †	EC Motor	WCA= Berner AIR™ smart control	Remote Touchscreen	Cabinet S=Stainless (std) A= Anod Alum W=White Alum C=Custom Color	Bottom Panel A=Anod Alum (std) W=White Alum S=Stainless C=Custom Color

*Suitable for 50 Hz
† Add 12" to cabinet width for transformer

Sound level measured 10' (3m) from the unit in free field:

- 1 motor: Min./Max. Speed: 52/55 dBA
- 2 motors: Min./Max. Speed: 55/58 dBA
- 3 motors: Min./Max. Speed: 57/60 dBA
- 4 motors: Min./Max. Speed: 58/61 dBA

Sound data is not AMCA certified.

VELOCITY PROJECTION: Model AE10-E-1036A				
Distance from Nozzle (in)	40	80	120	160
Core Velocity (fpm)	1749	1238	1105	996
Uniformity (%)	96	94	96	94

ASHRAE 90.1-2019 vestibule exception requires, "a jet velocity of not less than 6.6 feet per second (2.0 m/s; 400 fpm) at 6.0 in (15 cm) above the floor."

Berner reserves the right to alter specifications without prior notice.



ARCHITECTURAL ELITE 10

Ambient (Unheated) Air Curtain
Electrical Performance Sheet

MODEL	# CKTS	120/1/60 (voltage code A) MOTOR AMP DRAW = 6.6 each		# CKTS	208/1/60 (voltage code B) MOTOR AMP DRAW = 4.1 each		# CKTS	240/1/60 (voltage code J) or 220/1/50 (voltage code V) MOTOR AMP DRAW = 4.1 each	
		AMPS PER CIRCUIT	BREAKER RATING PER CIRCUIT		AMPS PER CIRCUIT	BREAKER RATING PER CIRCUIT		AMPS PER CIRCUIT	BREAKER RATING PER CIRCUIT
AE10-E-1036A AE10-E-1042A AE10-E-1048A	1	6.6	15	1	4.1	15	1	4.1	15
AE10-E-2060A AE10-E-2072A AE10-E-2084A AE10-E-2096A	1	13.2	20	1	8.2	15	1	8.2	15
AE10-E-3096A AE10-E-3108A AE10-E-3120A AE10-E-3132A AE10-E-3144A	1	19.8	25	1	12.3	20	1	12.3	20
AE10-E-4144A	1	26.4	35	1	16.4	25	1	16.4	25

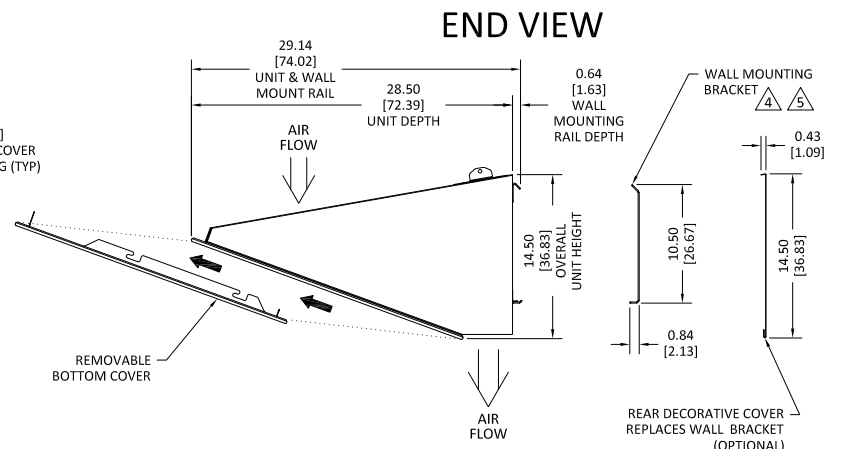
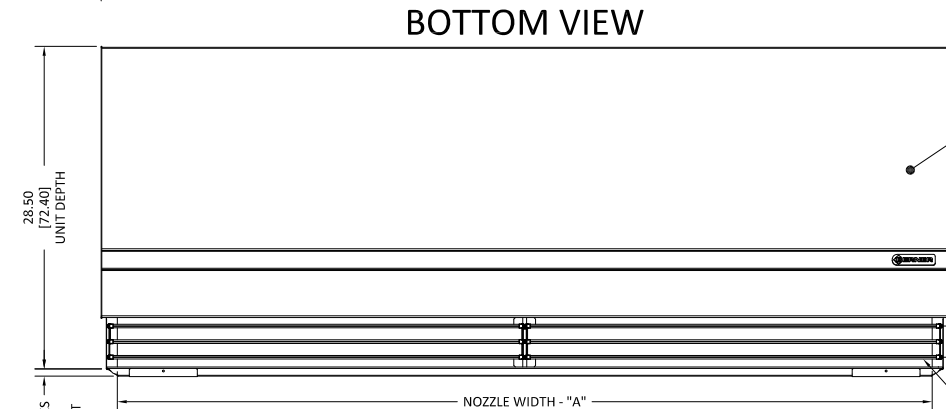
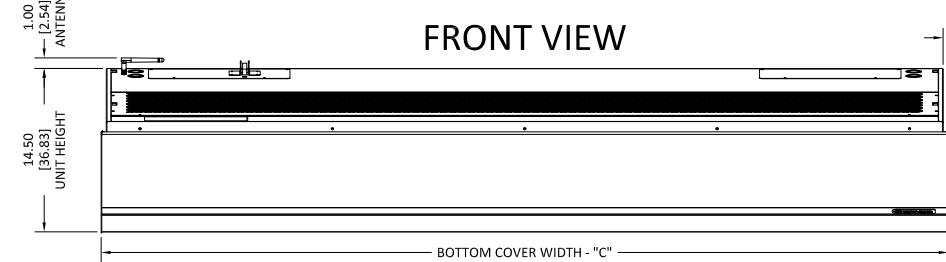
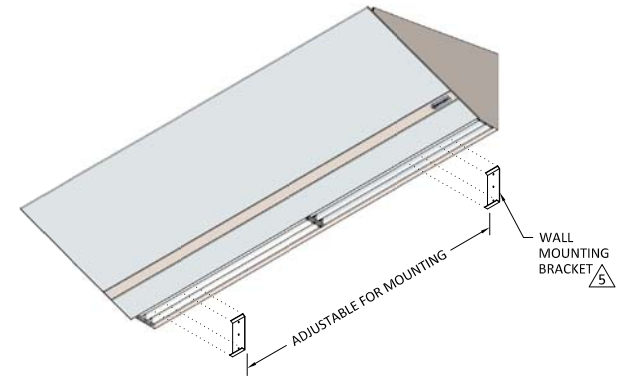
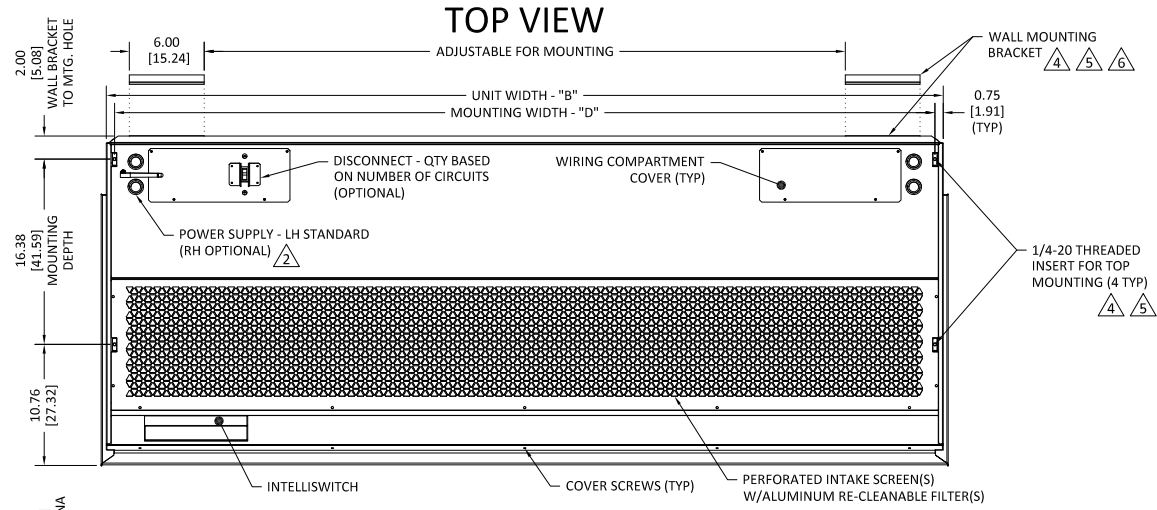
MODEL	# CKTS	277/1/60 (voltage code W) MOTOR AMP DRAW = 3.6 each		# CKTS	600/3/60 (voltage code A-XI) XFMR 600/120 1 kVA per MTR @ 1.7 each MOTOR AMP DRAW= 6.6 each @ 120V	
		AMPS PER CIRCUIT	BREAKER RATING PER CIRCUIT		AMPS PER CIRCUIT	BREAKER RATING PER CIRCUIT
AE10-E-1036A AE10-E-1042A AE10-E-1048A	1	3.6	15	1	1.7	15
AE10-E-2060A AE10-E-2072A AE10-E-2084A AE10-E-2096A	1	7.2	15	1	3.3	15
AE10-E-3096A AE10-E-3108A AE10-E-3120A AE10-E-3132A AE10-E-3144A	1	10.8	15	1	5.0	15
AE10-E-4144A	1	14.4	20	1	6.7	15

Berner reserves the right to alter specifications without prior notice.

www.berner.com **Berner International** 800.245-4455
111 Progress Ave. / New Castle / PA / 16101 / USA

EP-230E
August, 2020

AE10-E AMBIENT (UNHEATED) SYSTEM: 120 - 277V & 380V



NOTES:

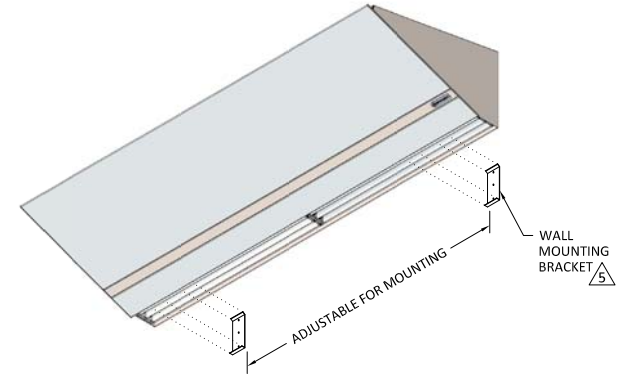
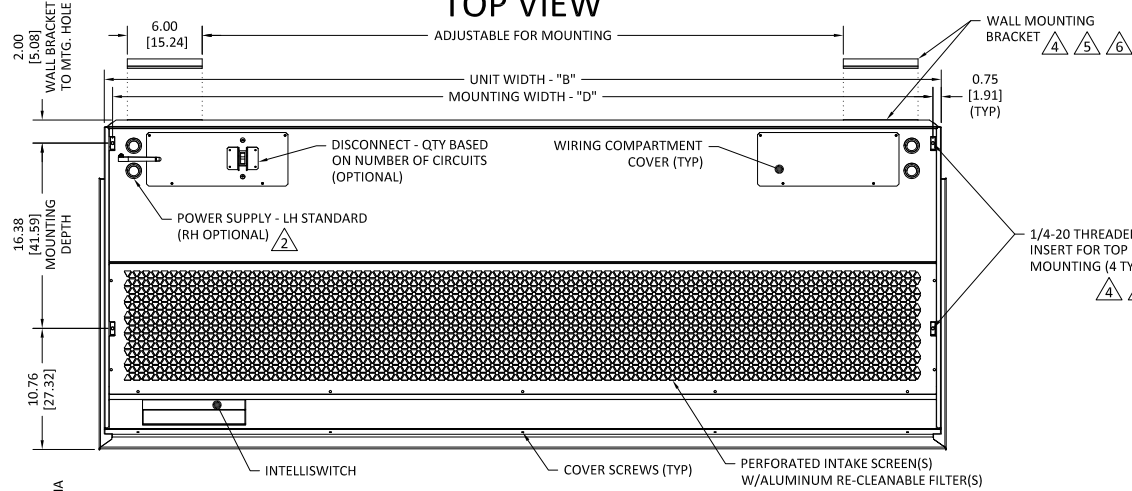
- 1 AIR CURTAIN MUST BE INSTALLED SO AIR STREAM IS NOT OBSTRUCTED WHEN DEFLECTED 20° TO EITHER SIDE OF ϕ .
- 2 ELECTRICAL CONNECTIONS TO BE FLEXIBLE.
- 3 FIELD VERIFY DIMENSIONS.
- 4 ANCHORS TO SUPPORTING STRUCTURE BY OTHERS.
- 5 ADEQUACY OF SUPPORTING STRUCTURE IS TO BE VERIFIED BY A PROFESSIONAL STRUCTURAL ENGINEER.
- 6 WALL MOUNTING RAIL TO UNIT HARDWARE INCLUDED, WALL MOUNTING BRACKET HARDWARE BY OTHERS.
- 7 THE LAST CHARACTER IN THE MODEL NUMBER - "A" DESIGNATES AMBIENT (UNHEATED) UNIT.
- 8 DIMENSIONS IN INCHES [CENTIMETERS].

MODEL	NOZZLE WIDTH "A"	UNIT WIDTH "B"	BOTTOM COVER WIDTH "C"	MOUNTING WIDTH "D"
AE10-E-1036A	36.00 [91.44]	38.00 [96.52]	38.85 [98.68]	36.50 [92.71]
AE10-E-1042A	42.00 [106.68]	44.00 [111.76]	44.85 [113.92]	42.50 [107.95]
AE10-E-1048A	48.00 [121.92]	50.00 [127.00]	50.85 [129.16]	48.50 [123.19]
AE10-E-2060A	60.00 [152.40]	62.00 [157.48]	62.85 [159.64]	60.50 [153.67]
AE10-E-2072A	72.00 [182.88]	74.00 [187.96]	74.85 [190.12]	72.50 [184.15]
AE10-E-2084A	84.00 [213.36]	86.00 [218.44]	86.85 [220.60]	84.50 [214.63]
AE10-E-2096A/3096A	96.00 [243.84]	98.00 [248.92]	98.85 [251.08]	96.50 [245.11]
AE10-E-3108A	108.00 [274.32]	110.00 [279.40]	110.85 [281.56]	108.50 [275.59]
AE10-E-3120A	117.00 [297.18]	119.00 [302.26]	119.85 [304.42]	117.50 [298.45]
AE10-E-3132A	132.00 [335.28]	134.00 [340.36]	134.85 [342.52]	132.50 [336.55]
AE10-E-3144A/4144A	144.00 [365.76]	146.00 [370.84]	146.85 [373.00]	144.50 [367.03]

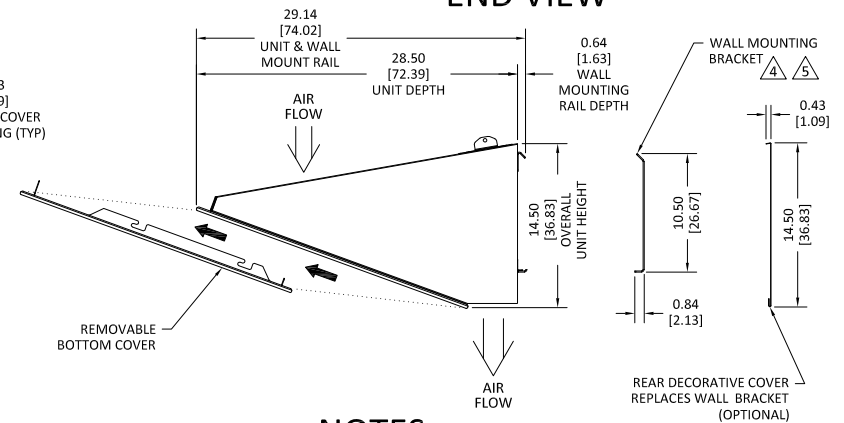
PROJECT		TITLE:	BERNER
LOCATION		MODEL AE10-E AIR CURTAIN 120 - 277V & 380V AMBIENT (UNHEATED) SYSTEM	
ARCHITECT		BERNER INTERNATIONAL CORP. NEW CASTLE, PA.	
ENGINEER			
DWG. NO.	AE10-E-AMB	DATE	30JUL2020
BY	S. Beil	REPLACES	31JAN2020
BY	S. Beil		

AE10-E AMBIENT (UNHEATED) SYSTEM: 600V

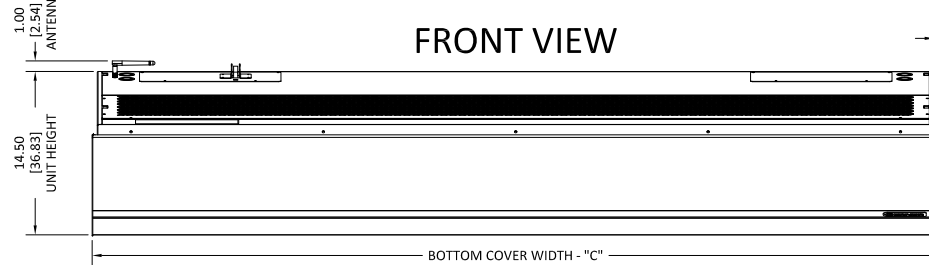
TOP VIEW



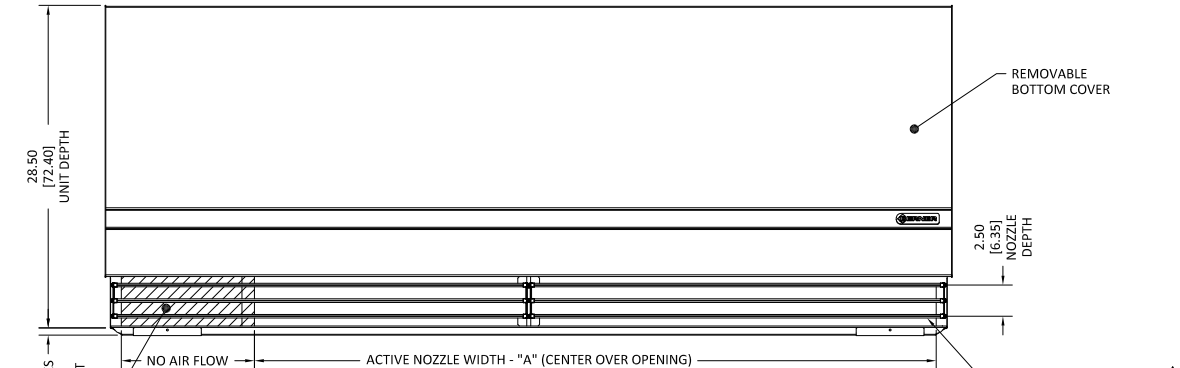
END VIEW



FRONT VIEW



BOTTOM VIEW



MODEL	NOZZLE WIDTH "A"	UNIT WIDTH "B"	BOTTOM COVER WIDTH "C"	MOUNTING WIDTH "D"
AE10-E-1036A	36.00 [91.44]	50.00 [127.00]	50.85 [129.16]	48.50 [123.19]
AE10-E-1042A	42.00 [106.68]	56.00 [142.24]	56.85 [144.40]	54.50 [138.43]
AE10-E-1048A	48.00 [121.92]	62.00 [157.48]	62.85 [159.64]	60.50 [153.67]
AE10-E-2060A	60.00 [152.40]	74.00 [187.96]	74.85 [190.12]	72.50 [184.15]
AE10-E-2072A	72.00 [182.88]	86.00 [218.44]	86.85 [220.60]	84.50 [214.63]
AE10-E-2084A	84.00 [213.36]	98.00 [248.92]	98.85 [251.08]	96.50 [245.11]
AE10-E-2096A/3096A	96.00 [243.84]	110.00 [279.40]	110.85 [281.56]	108.50 [275.59]
AE10-E-3108A	108.00 [274.32]	119.00 [302.68]	119.85 [304.42]	117.50 [298.45]
AE10-E-3120A	117.00 [297.18]	134.00 [340.36]	134.85 [342.52]	132.50 [336.55]
AE10-E-3132A	132.00 [335.28]	146.00 [370.84]	146.85 [373.00]	144.50 [367.03]
AE10-E-3144A	144.00 [365.76]	158.00 [401.32]	158.85 [403.481]	156.50 [397.51]

INACTIVE NOZZLE AREA FOR TRANSFORMER ENCLOSURE. CENTER ACTIVE NOZZLE WIDTH DIMENSION "A" OVER THE OPENING

NOTES:

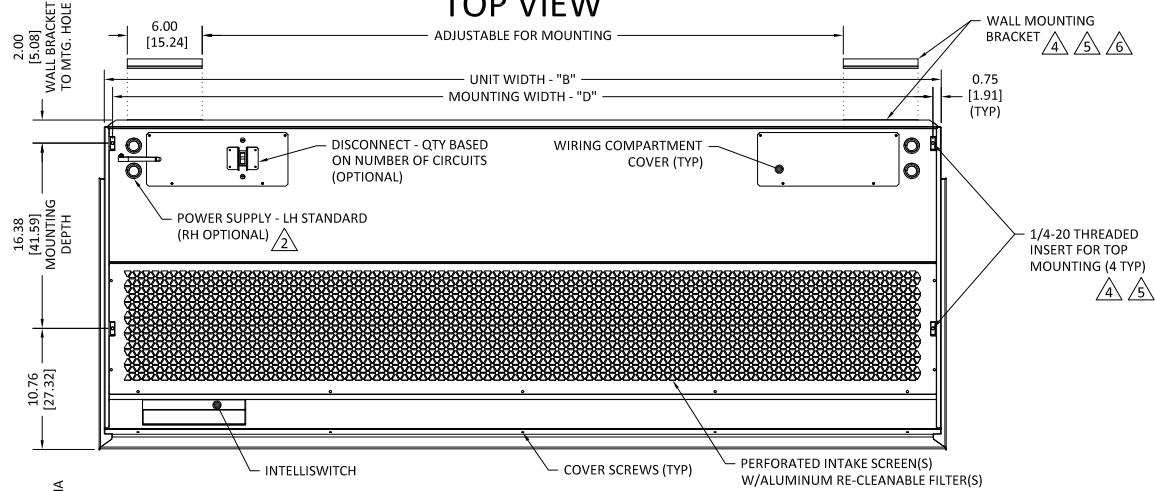
- 1 AIR FLOW MUST BE INSTALLED SO AIR STREAM IS NOT OBSTRUCTED WHEN DEFLECTED 20° TO EITHER SIDE OF ϕ .
- 2 ELECTRICAL CONNECTIONS TO BE FLEXIBLE.
- 3 FIELD VERIFY DIMENSIONS.
- 4 ANCHORS TO SUPPORTING STRUCTURE BY OTHERS.
- 5 ADEQUACY OF SUPPORTING STRUCTURE IS TO BE VERIFIED BY A PROFESSIONAL STRUCTURAL ENGINEER.
- 6 WALL MOUNTING RAIL TO UNIT HARDWARE INCLUDED, WALL MOUNTING BRACKET HARDWARE BY OTHERS.
- 7 THE LAST CHARACTER IN THE MODEL NUMBER - "A" DESIGNATES AMBIENT (UNHEATED) UNIT.
- 8 DIMENSIONS IN INCHES [CENTIMETERS].
- 9 NO AIR FLOW, AREA HOUSES TRANSFORMER. CENTER ACTIVE NOZZLE WIDTH DIMENSION "A" OVER THE OPENING

SHEET 1 OF 2

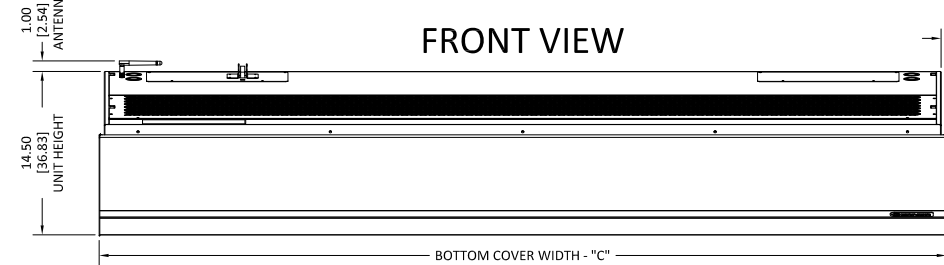
PROJECT		TITLE:	BERNER MODEL AE10-E AIR CURTAIN 600V AMBIENT (UNHEATED) SYSTEM
LOCATION			
ARCHITECT			
ENGINEER			
DWG. NO.	AE10-E-AMB-TR		
DATE	30JUL2020		
BY	S. Beil		
REPLACES	31JAN2020		
BY	S. Beil		
			BERNER INTERNATIONAL CORP. NEW CASTLE, PA.

AE10-E AMBIENT (UNHEATED) SYSTEM: 600V

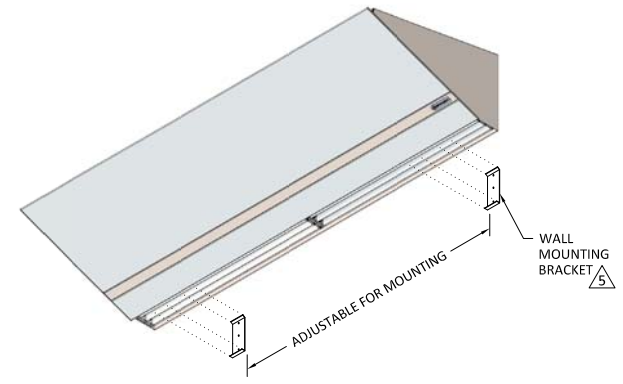
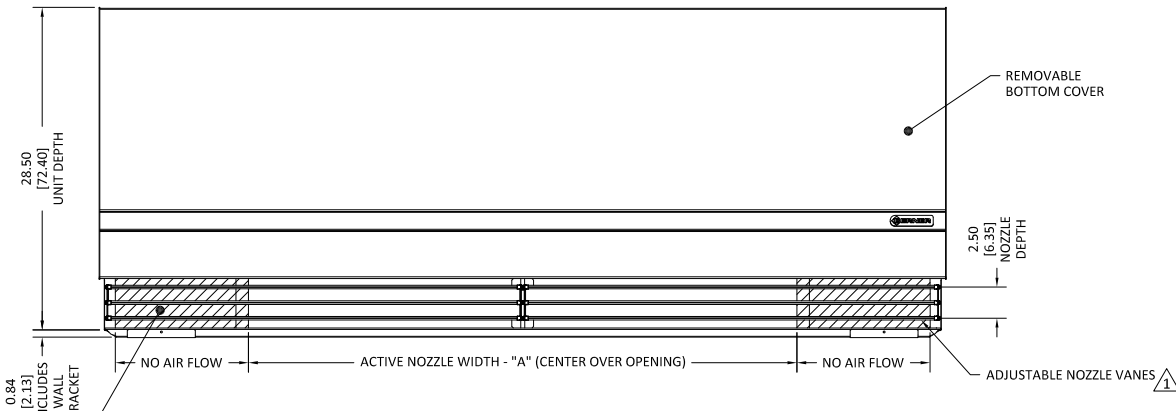
TOP VIEW



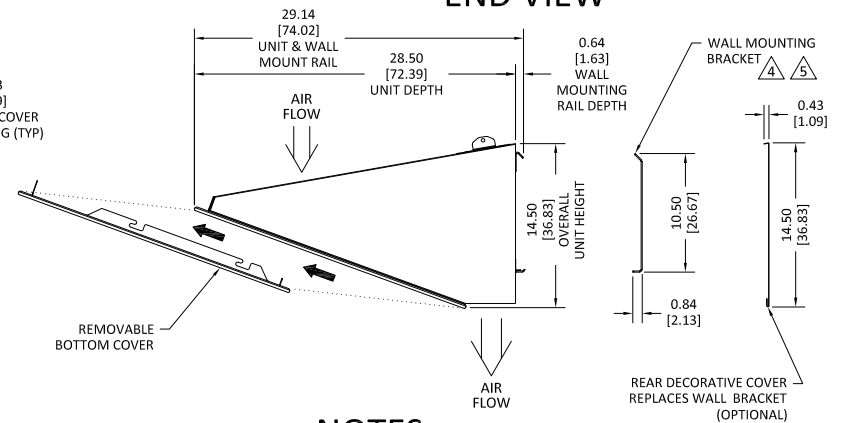
FRONT VIEW



BOTTOM VIEW



END VIEW



NOTES:

- 1 AIR CURTAIN MUST BE INSTALLED SO AIR STREAM IS NOT OBSTRUCTED WHEN DEFLECTED 20° TO EITHER SIDE OF ϕ .
- 2 ELECTRICAL CONNECTIONS TO BE FLEXIBLE.
- 3 FIELD VERIFY DIMENSIONS.
- 4 ANCHORS TO SUPPORTING STRUCTURE BY OTHERS.
- 5 ADEQUACY OF SUPPORTING STRUCTURE IS TO BE VERIFIED BY A PROFESSIONAL STRUCTURAL ENGINEER.
- 6 WALL MOUNTING RAIL TO UNIT HARDWARE INCLUDED, WALL MOUNTING BRACKET HARDWARE BY OTHERS.
- 7 THE LAST CHARACTER IN THE MODEL NUMBER - "A" DESIGNATES AMBIENT (UNHEATED) UNIT.
- 8 DIMENSIONS IN INCHES [CENTIMETERS].
- 9 NO AIR FLOW, AREA HOUSES TRANSFORMER. CENTER ACTIVE NOZZLE WIDTH DIMENSION "A" OVER THE OPENING

INACTIVE NOZZLE AREA FOR TRANSFORMER ENCLOSURE. CENTER ACTIVE NOZZLE WIDTH DIMENSION "A" OVER THE OPENING (TYP)

MODEL	NOZZLE WIDTH "A"	UNIT WIDTH "B"	BOTTOM COVER WIDTH "C"	MOUNTING WIDTH "D"
AE10-E-4144A	144.00 [365.76]	158.00 [401.32]	158.85 [403.481]	156.50 [397.51]

PROJECT		TITLE:	BERNER MODEL AE10-E AIR CURTAIN 600V AMBIENT (UNHEATED) SYSTEM
LOCATION			
ARCHITECT			
ENGINEER			
DWG. NO.	AE10-E-AMB-TR		
DATE	30JUL2020		
BY	S. Beil		
REPLACES	31JAN2020		
BY	S. Beil		
			BERNER INTERNATIONAL CORP. NEW CASTLE, PA.