

Recommended for Mounting Heights to 10' (environmental separation) and 8' (insect control)

**Vestibule Exception for the ASHRAE 90.1-2019, IECC 2018, and ASHRAE 189.1 Energy Codes, require a velocity projection tested in accordance with AMCA 220 of not less than 6.6 feet per second (400 fpm or 2.0 m/s) at 6.0 in (15 cm) above the floor.**

VELOCITY PROJECTION: Model AE10-F-1036A				
Distance from Nozzle (in)	40	80	120	160
Core Velocity (fpm)	1454	971	918	748
Uniformity (%)	88%	91%	92%	95%



Berner International certifies that the air curtains shown herein are licensed to bear the AMCA Seal. The ratings shown are based on tests and procedures performed in accordance with AMCA Publication 211 and comply with the requirements of the AMCA Certified Ratings Program. Rated data shown is for base (unheated) units. The AMCA Certified Ratings Seal applies to airflow rate, average outlet velocity, outlet velocity uniformity, velocity projection and power rating at free delivery only.

5 Year Limited Warranty



indoor use



MODEL	Nozzle Width (in)	Max Vel. at Nozzle (fpm)	Avg. Outlet Vel. (fpm)	Air Volume (cfm)	Outlet Vel. Uniformity	Power Rating (kW)	Motor(s) @ hp	Net Wt. (lbs)
AE10-F-1036A	36.00	3,440	2,071	1,424	80%	0.51	1 @ 1/2	100
AE10-F-1042A	42.00	3,711	1,849	1,483	82%	0.52	1 @ 1/2	112
AE10-F-1048A	48.00	3,975	1,973	1,809	92%	0.63	1 @ 1/2	125
AE10-F-1060A	59.00	3,803	1,619	1,824	82%	0.61	1 @ 1/2	168
AE10-F-2072A	72.00	3,440	2,071	2,848	80%	1.02	2 @ 1/2	200
AE10-F-2078A	78.00	3,711	1,952	2,907	80%	1.03	2 @ 1/2	212
AE10-F-2084A	84.00	3,711	1,849	2,966	82%	1.04	2 @ 1/2	224
AE10-F-2096A	96.00	3,975	1,973	3,618	92%	1.26	2 @ 1/2	250
AE10-F-2108A	108.00	3,975	1,761	3,633	82%	1.24	2 @ 1/2	293
AE10-F-2120A	118.00	3,803	1,619	3,648	82%	1.22	2 @ 1/2	336
AE10-F-3132A	132.00	3,975	2,000	5,042	80%	1.77	3 @ 1/2	350
AE10-F-3144A	144.00	3,975	1,973	5,427	92%	1.89	3 @ 1/2	375

See sheet EP-230E-EC for amp draws/total load requirements. 600/3/60 power supply includes extended cabinet, See drawing AE10-F-AMB-600

### MODEL NUMBER CONFIGURATION

## AE10-F-1 036 A A-EC-CM -D-R-SA

Series	Version	# of Motors	Opening Width	Heat	Voltage	Motor Type	Berner AIR	Opt. Interconnect	Opt. Display	Material / Finish	
AE10	F	1, 2, 3	036" - 144"	A=Ambient	A=120/1/60* B=208/1/60 J=240/1/60 V=230/1/50 W=277/1/60 A-XI=600/3/60 †	EC Motor	CM=BMS	D=Physical Data Link (daisy chain)	R=Remote Display TB=Tablet	S=Stainless (std) A= Anod Alum C=Custom Color	A=Anod Alum (std) S=Stainless C=Custom Color

#### STANDARD CONSTRUCTION

- 14 1/2" high x 28 1/4" deep
- 1/2 hp EC motor(s)
- Touchscreen interface with Intelliswitch™ digital controller, includes Berner AIR® BMS (smart control and BACnet & Modbus)
- Cabinet: Brushed stainless steel, grade 304
- Bottom Panel: Clear satin anodized aluminum
- Wall or Top Mounting
- High efficiency, low noise, articulating Pro-V Nozzle
- Filter (washable)

#### Options

- Custom Color or Stainless
- Rear cover for top mounting to conceal fasteners

\*Suitable for 50 Hz  
† Add 12" to cabinet width for transformer

for Standard offering, leave options (Opt.) blank

Sound level measured 10' (3m) from the unit in free field:

- 1 motor: Min./Max. Speed: 53/56 dBA
- 2 motors: Min./Max. Speed: 56/59 dBA
- 3 motors: Min./Max. Speed: 59/61 dBA

Sound data is not AMCA certified.

Berner reserves the right to alter specifications without prior notice.



# ARCHITECTURAL ELITE 10 - EC MOTORS

Ambient (Unheated) Air Curtain  
Electrical Performance Sheet

MODEL	# CKTS	120/1/60 (voltage code A) EC MOTOR AMP DRAW = 6.6 each		# CKTS	208/1/60 (voltage code B) EC MOTOR AMP DRAW = 4.1 each		# CKTS	240/1/60 (voltage code J) or 230/1/50 (voltage code V) EC MOTOR AMP DRAW = 4.1 each	
		AMPS PER CIRCUIT	BREAKER RATING PER CIRCUIT		AMPS PER CIRCUIT	BREAKER RATING PER CIRCUIT		AMPS PER CIRCUIT	BREAKER RATING PER CIRCUIT
AE10-F-1036A AE10-F-1042A AE10-F-1048A AE10-F-1060A	1	6.6	15	1	4.1	15	1	4.1	15
AE10-F-2072A AE10-F-2078A AE10-F-2084A AE10-F-2096A AE10-F-2108A AE10-F-2120A	1	13.2	20	1	8.2	15	1	8.2	15
AE10-F-3132A AE10-F-3144A	1	19.8	25	1	12.3	20	1	12.3	20

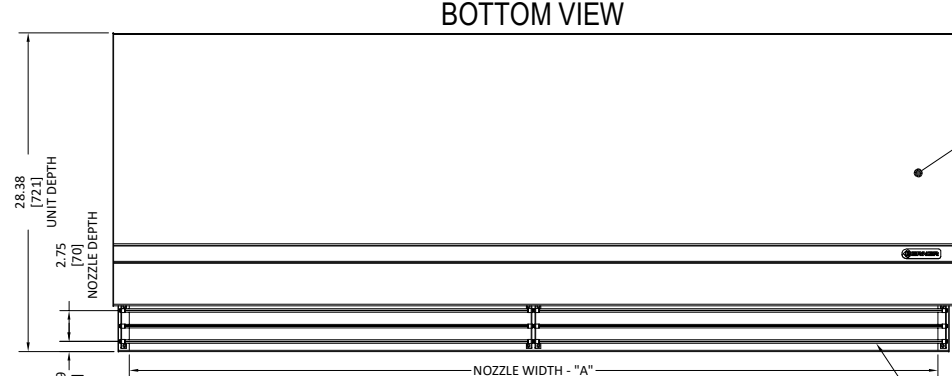
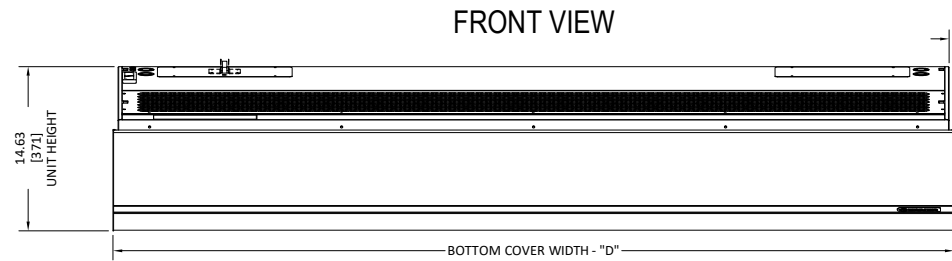
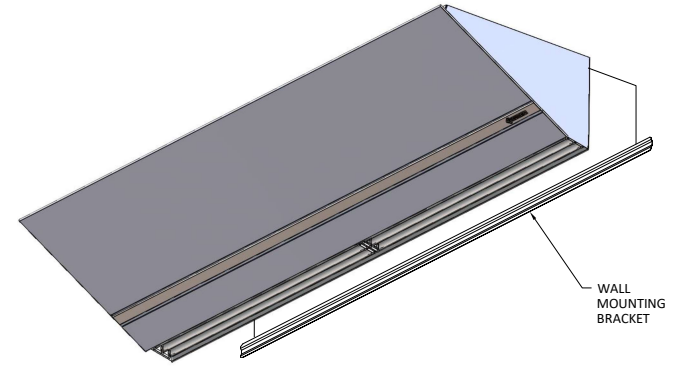
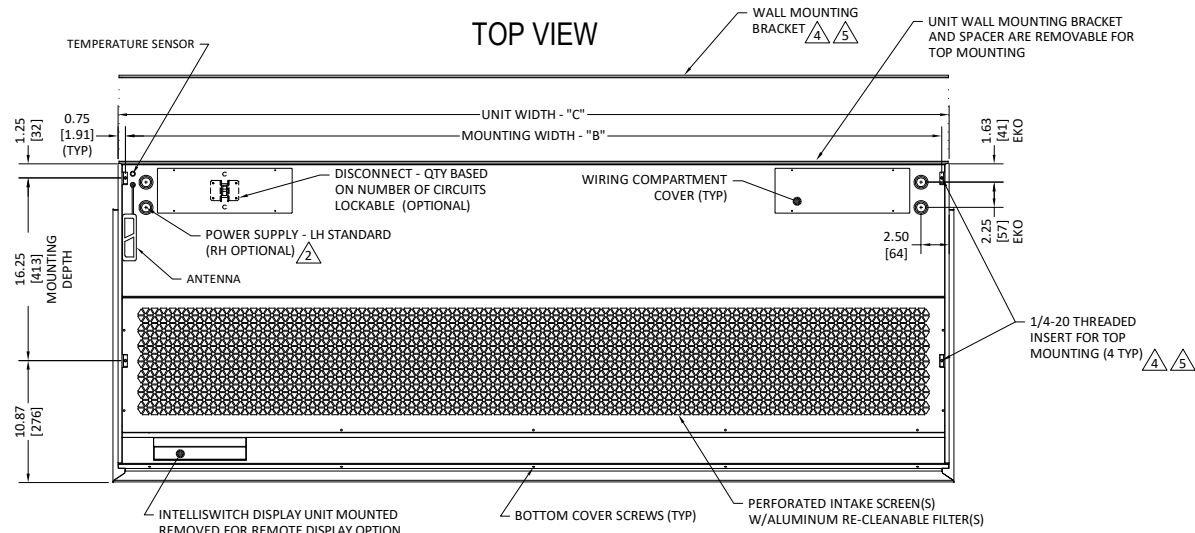
MODEL	# CKTS	277/1/60 (voltage code W) EC MOTOR AMP DRAW = 3.6 each		# CKTS	600/3/60 (voltage code A-XI) XFMR 600/120 1 kVA per MTR @ 1.7 each EC MOTOR AMP DRAW= 6.6 each @ 120V	
		AMPS PER CIRCUIT	BREAKER RATING PER CIRCUIT		AMPS PER CIRCUIT	BREAKER RATING PER CIRCUIT
AE10-F-1036A AE10-F-1042A AE10-F-1048A AE10-F-1060A	1	3.6	15	1	1.7	15
AE10-F-2072A AE10-F-2078A AE10-F-2084A AE10-F-2096A AE10-F-2108A AE10-F-2120A	1	7.2	15	1	3.3	15
AE10-F-3132A AE10-F-3144A	1	10.8	15	1	5.0	15

Berner reserves the right to alter specifications without prior notice.

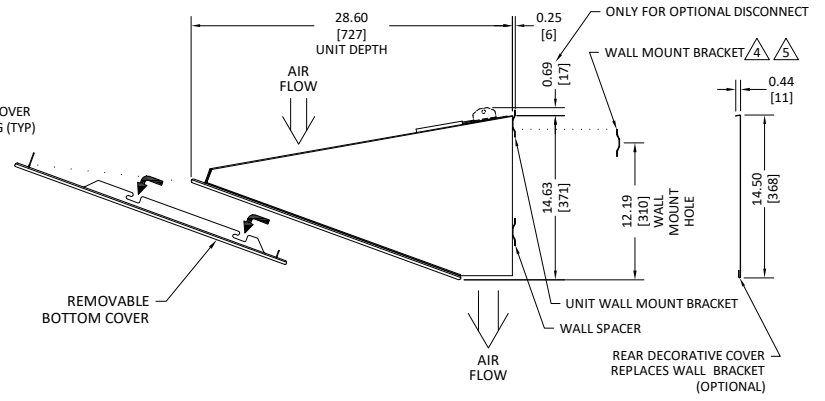
[www.berner.com](http://www.berner.com) **Berner International** 800.245-4455  
111 Progress Ave. / New Castle / PA / 16101 / USA

EP-230E-EC  
July, 2025

# AE10-F AMBIENT (UNHEATED) SYSTEM: 120 - 277V



## END VIEW



MODEL (1)	NOZZLE WIDTH "A"	MOUNTING WIDTH "B"	UNIT WIDTH "C"	BOTTOM CVR WIDTH "D"
AE10-F-1036A	36.00 [914]	36.50 [927]	38.00 [965]	38.88 [987]
AE10-F-1042A	42.00 [1067]	42.50 [1080]	44.00 [1118]	44.88 [1140]
AE10-F-1048A	48.00 [1219]	48.50 [1232]	50.00 [1270]	50.88 [1292]
AE10-F-1060A	59.00 [1499]	59.50 [1511]	61.00 [1549]	61.88 [1572]
AE10-F-2072A	72.00 [1829]	72.50 [1842]	74.00 [1880]	74.88 [1902]
AE10-F-2078A	78.00 [1981]	78.50 [1994]	80.00 [2032]	80.88 [2054]
AE10-F-2084A	84.00 [2134]	84.50 [2146]	86.00 [2184]	86.88 [2207]
AE10-F-2096A	96.00 [2438]	96.50 [2451]	98.00 [2489]	98.88 [2511]
AE10-F-2108A	108.00 [2743]	108.50 [2756]	110.00 [2794]	110.88 [2816]
AE10-F-2120A	118.00 [2997]	118.50 [3010]	120.00 [3048]	120.88 [3070]
AE10-F-3132A	132.00 [3353]	132.50 [3365]	134.00 [3404]	134.88 [3426]
AE10-F-3144A	144.00 [3658]	144.50 [3670]	146.00 [3708]	146.88 [3731]

## NOTES:

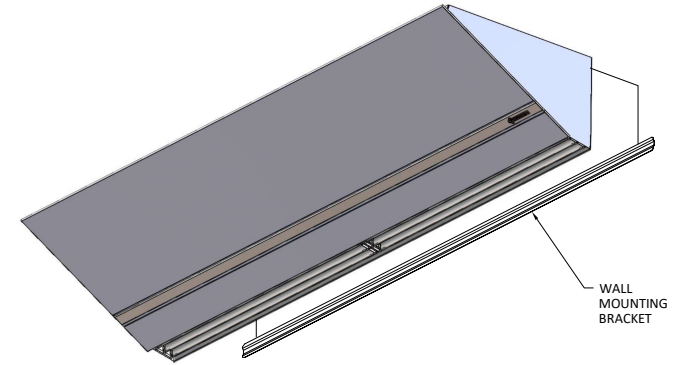
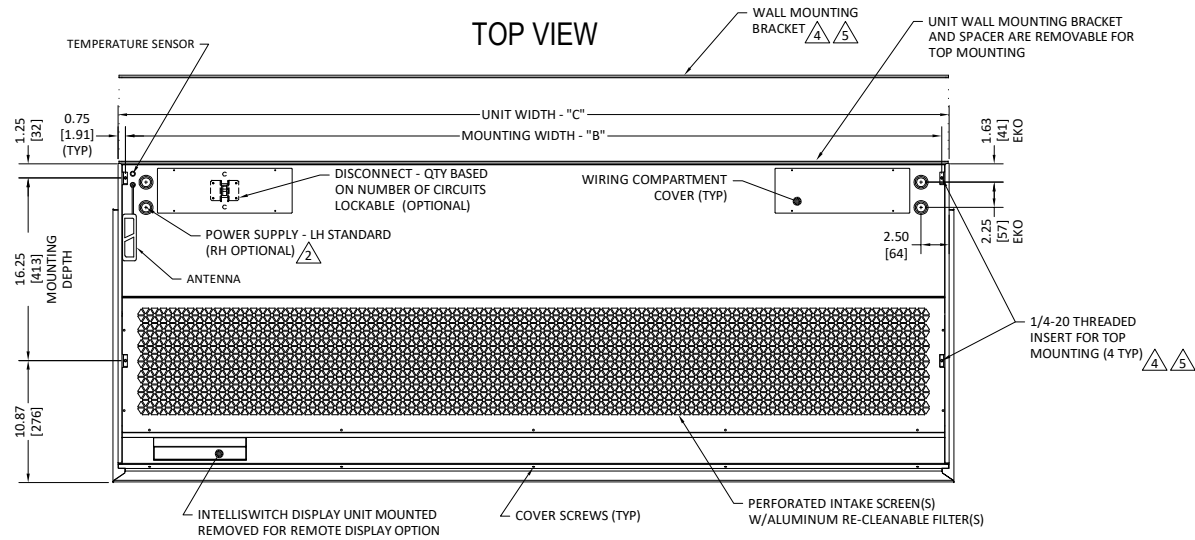
- (1) AIR CURTAIN MUST BE INSTALLED SO AIR STREAM IS NOT OBSTRUCTED WHEN DEFLECTED 20° TO EITHER SIDE OF C.
- (2) ELECTRICAL CONNECTIONS TO BE FLEXIBLE.
- (3) FIELD VERIFY DIMENSIONS.
- (4) ANCHORS TO SUPPORTING STRUCTURE BY OTHERS.
- (5) ADEQUACY OF SUPPORTING STRUCTURE IS TO BE VERIFIED BY A PROFESSIONAL STRUCTURAL ENGINEER.
- (6) THE LAST CHARACTER IN THE MODEL NUMBER - "A" DESIGNATES AMBIENT (UNHEATED) UNIT.
- (7) DIMENSIONS IN INCHES [MILLIMETERS].

SHEET 1 OF 1

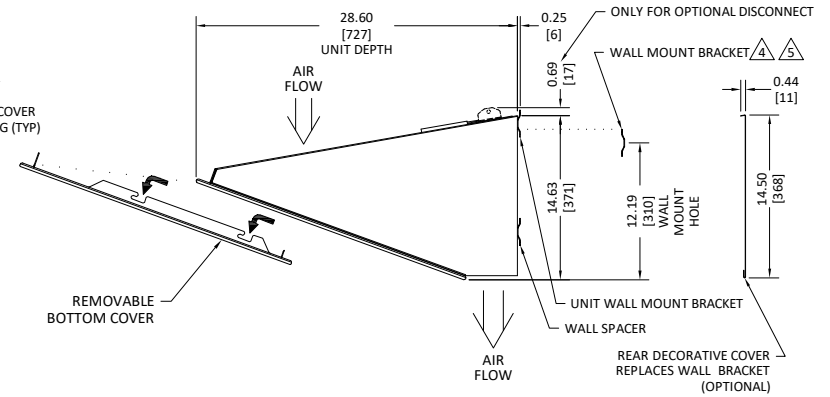
PROJECT		REV	0
LOCATION			
ARCHITECT			
ENGINEER			
DWG. NO.	AE10-F-AMB-120	TITLE:	<b>BERNER</b>
DATE	12NOV2024		MODEL AE10-F AIR CURTAIN 120 - 277V AMBIENT (UNHEATED) SYSTEM
BY	D. Johnson		
REPLACES	-		
BY	-		BERNER INTERNATIONAL CORP. NEW CASTLE, PA.

# AE10-F AMBIENT (UNHEATED) SYSTEM: 600V

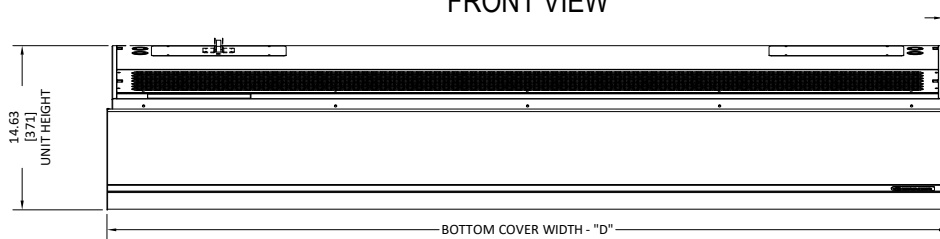
TOP VIEW



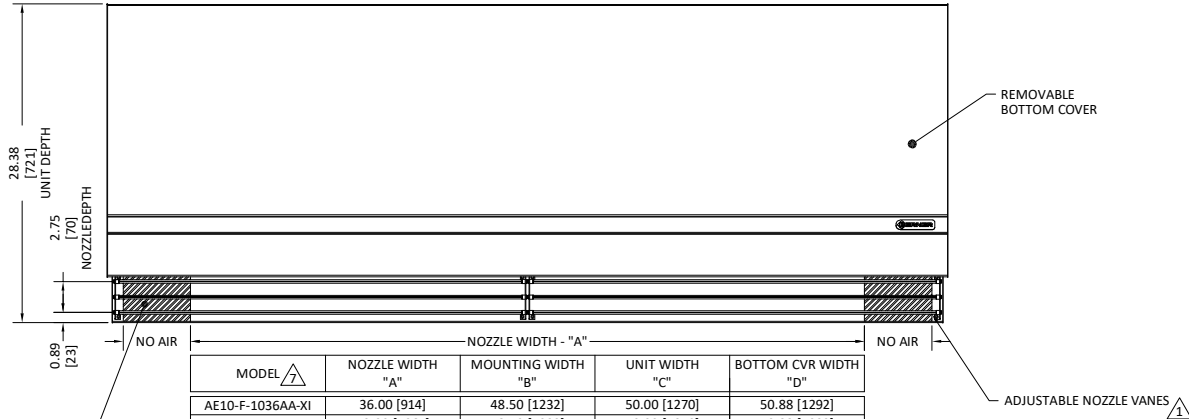
END VIEW



FRONT VIEW



BOTTOM VIEW



MODEL	NOZZLE WIDTH "A"	MOUNTING WIDTH "B"	UNIT WIDTH "C"	BOTTOM CVR WIDTH "D"
AE10-F-1036AA-XI	36.00 [914]	48.50 [1232]	50.00 [1270]	50.88 [1292]
AE10-F-1042AA-XI	42.00 [1067]	48.50 [1232]	50.00 [1270]	50.88 [1292]
AE10-F-1048AA-XI	48.00 [1219]	59.50 [1511]	61.00 [1549]	61.88 [1572]
AE10-F-1060AA-XI	59.00 [1499]	72.50 [1842]	74.00 [1880]	74.88 [1902]
AE10-F-2072AA-XI	72.00 [1829]	84.50 [2146]	86.00 [2184]	86.88 [2207]
AE10-F-2078AA-XI	78.00 [1981]	84.50 [2146]	86.00 [2184]	86.88 [2207]
AE10-F-2084AA-XI	84.00 [2134]	96.50 [2451]	98.00 [2489]	98.88 [2511]
AE10-F-2096AA-XI	96.00 [2438]	108.50 [2756]	110.00 [2794]	110.88 [2816]
AE10-F-2108AA-XI	108.00 [2743]	118.50 [3010]	120.00 [3048]	120.88 [3070]
AE10-F-2120AA-XI	118.00 [2997]	132.50 [3365]	134.00 [3404]	134.88 [3426]
AE10-F-3132AA-XI	132.00 [3353]	144.50 [3670]	146.00 [3708]	146.88 [3731]
AE10-F-3144AA-XI	144.00 [3658]	156.50 [3975]	158.00 [4013]	158.88 [4035]

INACTIVE NOZZLE AREA FOR TRANSFORMER ENCLOSURE. CENTER ACTIVE NOZZLE. WIDTH DIMENSION "A" OVER THE OPENING

## NOTES:

- 1 AIR CURTAIN MUST BE INSTALLED SO AIR STREAM IS NOT OBSTRUCTED WHEN DEFLECTED 20° TO EITHER SIDE OF C.
- 2 ELECTRICAL CONNECTIONS TO BE FLEXIBLE.
- 3 FIELD VERIFY DIMENSIONS.
- 4 ANCHORS TO SUPPORTING STRUCTURE BY OTHERS.
- 5 ADEQUACY OF SUPPORTING STRUCTURE IS TO BE VERIFIED BY A PROFESSIONAL STRUCTURAL ENGINEER.
- 6 THE 12th CHARACTER IN THE MODEL NUMBER - "A" DESIGNATES AMBIENT (UNHEATED) UNIT.
- 7 DIMENSIONS IN INCHES [MILLIMETERS].
- 8 NO AIR FLOW AREA HOUSES TRANSFORMER. CENTER ACTIVE NOZZLE WIDTH DIMENSION "A" OVER THE OPENING.

SHEET 1 OF 1

PROJECT		REV	C
LOCATION			
ARCHITECT			
ENGINEER			
DWG. NO.	AE10-F-AMB-600	TITLE:	<b>BERNER</b>
DATE	12NOV2024	MODEL AE10-F AIR CURTAIN 600V AMBIENT (UNHEATED) SYSTEM	
BY	D. Johnson		
REPLACES	-		
BY	-	BERNER INTERNATIONAL CORP. NEW CASTLE, PA.	