

Recommended for Mounting Heights to 10' (environmental separation)

**Vestibule Exception for the ASHRAE 90.1-2019, IECC 2018, and ASHRAE 189.1 Energy Codes, require a velocity projection tested in accordance with AMCA 220 of not less than 6.6 feet per second (400 fpm or 2.0 m/s) at 6.0 in (15 cm) above the floor.**

VELOCITY PROJECTION: Model AE10-F-1036E				
Distance from Nozzle (in)	40	80	120	160
Core Velocity (fpm)	1180	895	887	760
Uniformity (%)	83%	84%	92%	97%



Berner International certifies that the air curtains shown herein are licensed to bear the AMCA Seal. The ratings shown are based on tests and procedures performed in accordance with AMCA Publication 211 and comply with the requirements of the AMCA Certified Ratings Program. Rated data shown is for base (electric heated) units. The AMCA Certified Ratings Seal applies to airflow rate, average outlet velocity, outlet velocity uniformity, velocity projection and power rating at free delivery only.



indoor use



MODEL	Nozzle Width (in)	Max Vel. at Nozzle (fpm)	Avg. Outlet Vel. (fpm)	Air Volume (cfm)	Outlet Vel. Uniformity	Power Rating (kW)	Motor(s) @ hp	Max. Electric Capacity (kW)	Heater Output (MBH)	Air Temp. Rise (°F)	Net Wt. (lbs)
AE10-F-1036E	36.00	3,552	1,968	1,353	80%	0.45	1 @ 1/2	14	47.8	33°	106
AE10-F-1042E	42.00	3,543	1,773	1,422	82%	0.47	1 @ 1/2	14	47.8	31°	118
AE10-F-1048E	48.00	3,919	1,927	1,766	92%	0.63	1 @ 1/2	14	47.8	25°	131
AE10-F-1060E	59.00	4,087	1,594	1,796	86%	0.59	1 @ 1/2	14	47.8	25°	174
AE10-F-2072E	72.00	3,552	1,968	2,706	80%	0.90	2 @ 1/2	28	95.6	33°	212
AE10-F-2078E	78.00	3,552	1,863	2,775	80%	0.92	2 @ 1/2	28	95.6	32°	224
AE10-F-2084E	84.00	3,543	1,773	2,844	82%	0.94	2 @ 1/2	28	95.6	31°	236
AE10-F-2096E	96.00	3,919	1,927	3,532	92%	1.26	2 @ 1/2	28	95.6	25°	262
AE10-F-2108E	108.00	4,087	1,727	3,562	86%	1.22	2 @ 1/2	28	95.6	25°	305
AE10-F-2120E	118.00	4,087	1,594	3,592	86%	1.18	2 @ 1/2	28	95.6	25°	348
AE10-F-3132E	132.00	3,919	1,938	4,885	80%	1.71	3 @ 1/2	42	143.3	27°	368
AE10-F-3144E	144.00	3,919	1,927	5,298	92%	1.89	3 @ 1/2	42	143.3	25°	393

See sheet EP-232E-EC for amp draws/total load requirements.

600/3/60 power supply includes extended cabinet, See drawing AE10-F-ELE-600.

NOTE: Single Point Power Connection – consult factory.

### MODEL NUMBER CONFIGURATION

#### AE10-F-1 036 E B-100-EC-CM -D-R-SA

Series	Version	# of Motors	Opening Width	Heat	Voltage	kW	Motor Type	Berner AIR	Opt. Interconnect	Opt. Display	Material / Finish	
											Cabinet	Bottom Panel
AE10	F	1, 2, 3	036" - 144"	E=Electric Heated	B=208/1/60* J=240/1/60* V=230/1/50* W=277/1/60* † K=120/480 L=120/600 S=208/480 M=208/600 U=240/480 N=240/600 X=208/3/60 Y=240/3/60 WZ = 480/3/60** L-XI = 600/3/60 † O = 380/3/50**	10.0 - 28.8 (100 - 288)	EC Motor	CM=BMS	D=Physical Data Link (daisy chain)	R=Remote Display TB=Tablet	S=Stainless (std) A= Anod Alum C=Custom Color	A=Anod Alum (std) S=Stainless C=Custom Color

See sheet EP-232E for alternate kW code

for Standard offering, leave options (Opt.) blank

#### STANDARD CONSTRUCTION

- 14 1/2" high x 28 1/4" deep
- 1/2 hp EC motor(s)
- Touchscreen interface with Intelliswitch™ digital controller, includes Berner AIR® BMS (smart control and BACnet & Modbus)
- Cabinet: Brushed stainless steel, grade 304
- Bottom Panel: Clear satin anodized aluminum
- Wall or Top Mounting
- High efficiency, low noise, articulating Pro-V Nozzle
- Patented single stage venturi electric heater (open element)
- Filter (washable)

#### Options

- Alternate kW: see sheet EP-232E
- Custom Color or Stainless
- Rear cover for top mounting to conceal fasteners

Sound level measured 10' (3m) from the unit in free field:

1 motor:	Min./Max. Speed:	53/56 dBA
2 motors:	Min./Max. Speed:	56/59 dBA
3 motors:	Min./Max. Speed:	59/61 dBA

Sound data is not AMCA certified.

Berner reserves the right to alter specifications without prior notice.



# ARCHITECTURAL ELITE 10 - EC MOTORS

## Electric Heated Air Curtain Electrical Performance Sheet

MODEL	kW (code)	Temp Rise °F	208/1/60 (voltage code B) EC MOTOR AMP DRAW = 4.1 each			240/1/60 (voltage code J) or 230/1/50 (voltage code V) EC MOTOR AMP DRAW = 4.1 each			277/1/60 (voltage code W) EC MOTOR AMP DRAW = 3.6 each		
			# CKTS	AMPS PER CIRCUIT (including motor)	BREAKER RATING PER CIRCUIT	# CKTS	AMPS PER CIRCUIT (including motor)	BREAKER RATING PER CIRCUIT	# CKTS	AMPS PER CIRCUIT (including motor)	BREAKER RATING PER CIRCUIT
AE10-F-1036E AE10-F-1042E AE10-F-1048E AE10-F-1060E	14 (140)	30	2	26.6/44.9	35/60	2	23.6/38.9	30/50	2	20.4/33.7	30/45
	12 (120)	26	2	23.3/38.5	30/50	2	20.8/33.3	30/45	1	47.4	60
	10 (100)	21	2	20.1/32.0	30/40	1	45.8	60	1	39.7	50
	8 (080)	18	1	42.6	60	1	37.4	50	1	32.5	45
	6 (060)	13	1	32.9	45	1	29.1	40	1	25.3	35
AE10-F-2072E AE10-F-2078E AE10-F-2084E AE10-F-2096E AE10-F-2108E AE10-F-2120E	28 (280)	30	-	N/A	N/A	-	N/A	N/A	-	N/A	N/A
	24 (240)	26	-	N/A	N/A	-	N/A	N/A	-	N/A	N/A
	20 (200)	21	-	N/A	N/A	-	N/A	N/A	2	43.3/36.1	60/50
	16 (160)	18	2	46.7/38.5	60/50	2	41.5/33.3	60/45	2	36.1/28.9	45/40
	12 (120)	13	2	37.0/28.8	50/40	2	33.2/25.0	45/35	2	28.9/21.7	40/30
AE10-F-3132E AE10-F-3144E	42 (420)	30	-	N/A	N/A	-	N/A	N/A	-	N/A	N/A
	36 (360)	26	-	N/A	N/A	-	N/A	N/A	-	N/A	N/A
	30 (300)	21	-	N/A	N/A	-	N/A	N/A	-	N/A	N/A
	24 (240)	18	-	N/A	N/A	-	N/A	N/A	-	N/A	N/A
	18 (180)	13	-	N/A	N/A	-	N/A	N/A	2	46.9/28.9	60/40

Berner reserves the right to alter specifications without prior notice.

[www.berner.com](http://www.berner.com) **Berner International** 800.245.4455  
111 Progress Ave. / New Castle / PA / 16101 / USA

EP-232E-EC  
July, 2025



# ARCHITECTURAL ELITE 10 - EC MOTORS

## Electric Heated Air Curtain Electrical Performance Sheet

MODEL	kW (code)	Temp Rise °F	208/3/60 (voltage code X) EC MOTOR AMP DRAW = 4.1 each			240/3/60 (voltage code Y) EC MOTOR AMP DRAW = 4.1 each			480/3/60 (voltage code WZ) - 4 Wire System EC MOTOR AMP DRAW = 3.6 each @ 277V			600/3/60 (voltage code L-XI) XFMR 600/120 1 kVA per MTR @ 1.7 each EC MOTOR AMP DRAW = 6.6 each @ 120V		
			# CKTS	AMPS PER CIRCUIT (including motor)	BREAKER RATING PER CIRCUIT	# CKTS	AMPS PER CIRCUIT (including motor)	BREAKER RATING PER CIRCUIT	# CKTS	AMPS PER CIRCUIT (including motor)	BREAKER RATING PER CIRCUIT	# CKTS	AMPS PER CIRCUIT (including motor)	BREAKER RATING PER CIRCUIT
AE10-F-1036E AE10-F-1042E AE10-F-1048E AE10-F-1060E	14 (140)	30	1	43.0	60	1	37.8	50	1	20.4	30	1	15.2	20
	12 (120)	26	1	37.4	50	1	33.0	45	1	18.0	25	1	13.2	20
	10 (100)	21	1	31.9	40	1	28.2	40	1	15.6	20	1	11.3	15
	8 (080)	18	1	26.3	35	1	23.3	30	1	13.2	20	1	9.4	15
	6 (060)	13	1	20.8	30	1	18.5	25	1	10.8	15	1	7.5	15
AE10-F-2072E AE10-F-2078E AE10-F-2084E AE10-F-2096E AE10-F-2108E AE10-F-2120E	28 (280)	30	2	47.1/38.9	60/50	2	41.9/33.7	60/45	1	40.9	60	1	30.3	40
	24 (240)	26	2	41.5/33.3	60/45	2	37.1/28.9	50/40	1	36.1	45	1	26.5	35
	20 (200)	21	2	36.0/27.8	45/35	2	32.3/24.1	40/35	1	31.3	40	1	22.6	30
	16 (160)	18	2	30.4/22.2	40/30	1	46.7	60	1	26.4	35	1	18.8	25
	12 (120)	13	1	41.5	60	1	37.1	50	1	21.6	30	1	14.9	20
AE10-F-3132E AE10-F-3144E	42 (420)	30	3	51.2/38.9/38.9	60/60/50	3	46.0/33.7/33.7	60/45/45	2	27.6/33.7	35/45	1	45.5	60
	36 (360)	26	3	45.6/33.3/33.3	60/45/45	3	41.2/28.9/28.9	50/40/40	2	25.2/28.9	30/40	1	39.7	50
	30 (300)	21	3	40.1/27.8/27.8	50/35/35	2	36.4/48.1	45/60	1	46.9	60	1	34.0	45
	24 (240)	18	2	34.5/44.4	45/60	2	31.5/38.5	40/50	1	39.7	50	1	28.2	35
	18 (180)	13	2	29.0/33.3	35/45	2	26.7/28.9	35/40	1	32.5	40	1	22.4	30

Berner reserves the right to alter specifications without prior notice.



# ARCHITECTURAL ELITE 10 - EC MOTORS

## Electric Heated Air Curtain Electrical Performance Sheet

MODEL	kW (code)	Temp Rise °F	120/1/60 - 480/3/60 (voltage code K) 120V EC MOTOR AMP DRAW = 6.6 each				208/1/60 - 480/3/60 (voltage code S) 208V EC MOTOR AMP DRAW = 4.1 each				240/1/60 - 480/3/60 (voltage code U) 240V EC MOTOR AMP DRAW = 4.1 each						
			# CKTS	AMPS PER CIRCUIT		BREAKER RATING PER CIRCUIT		# CKTS	AMPS PER CIRCUIT		BREAKER RATING PER CIRCUIT		# CKTS	AMPS PER CIRCUIT		BREAKER RATING PER CIRCUIT	
				120V/1	480V/3	120V/1	480V/3		208V/1	480V/3	208V/1	480V/3		240V/1	480V/3	240V/1	480V/3
AE10-F-1036E AE10-F-1042E AE10-F-1048E AE10-F-1060E	14 (140)	30	2	6.6	16.8	15	25	2	4.1	16.8	15	25	2	4.1	16.8	15	25
	12 (120)	26	2	6.6	14.4	15	20	2	4.1	14.4	15	20	2	4.1	14.4	15	20
	10 (100)	21	2	6.6	12.0	15	15	2	4.1	12.0	15	15	2	4.1	12.0	15	15
	8 (080)	18	2	6.6	9.6	15	15	2	4.1	9.6	15	15	2	4.1	9.6	15	15
	6 (060)	13	2	6.6	7.2	15	15	2	4.1	7.2	15	15	2	4.1	7.2	15	15
AE10-F-2072E AE10-F-2078E AE10-F-2084E AE10-F-2096E AE10-F-2108E AE10-F-2120E	28 (280)	30	2	13.2	33.7	20	45	2	8.2	33.7	15	45	2	8.2	33.7	15	45
	24 (240)	26	2	13.2	28.9	20	40	2	8.2	28.9	15	40	2	8.2	28.9	15	40
	20 (200)	21	2	13.2	24.1	20	35	2	8.2	24.1	15	35	2	8.2	24.1	15	35
	16 (160)	18	2	13.2	19.2	20	25	2	8.2	19.2	15	25	2	8.2	19.2	15	25
	12 (120)	13	2	13.2	14.4	20	20	2	8.2	14.4	15	20	2	8.2	14.4	15	20
AE10-F-3132E AE10-F-3144E	42 (420)	30	3	19.8	33.7/16.8	25	45/25	3	12.3	33.7/16.8	20	45/25	3	12.3	33.7/16.8	20	45/25
	36 (360)	26	2	19.8	43.3	25	60	2	12.3	43.3	20	60	2	12.3	43.3	20	60
	30 (300)	21	2	19.8	36.1	25	50	2	12.3	36.1	20	50	2	12.3	36.1	20	50
	24 (240)	18	2	19.8	28.9	25	40	2	12.3	28.9	20	40	2	12.3	28.9	20	40
	18 (180)	13	2	19.8	21.7	25	30	2	12.3	21.7	20	30	2	12.3	21.7	20	30

Berner reserves the right to alter specifications without prior notice.

[www.berner.com](http://www.berner.com) **Berner International** 800.245.4455  
111 Progress Ave. / New Castle / PA / 16101 / USA

EP-232E-EC  
July, 2025



# ARCHITECTURAL ELITE 10 - EC MOTORS

## Electric Heated Air Curtain Electrical Performance Sheet

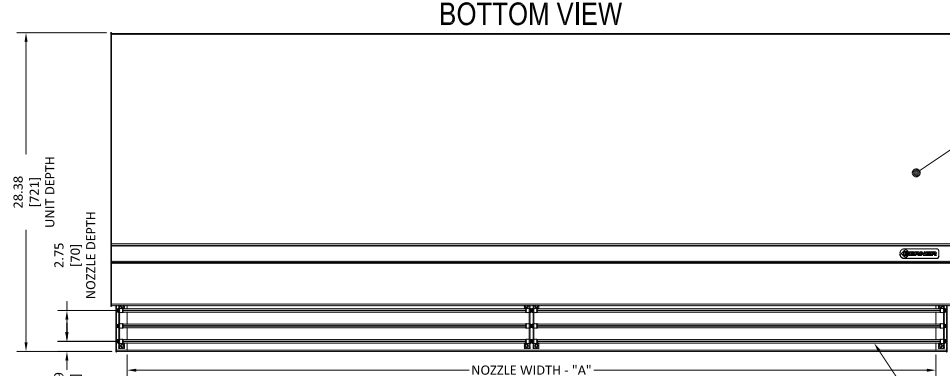
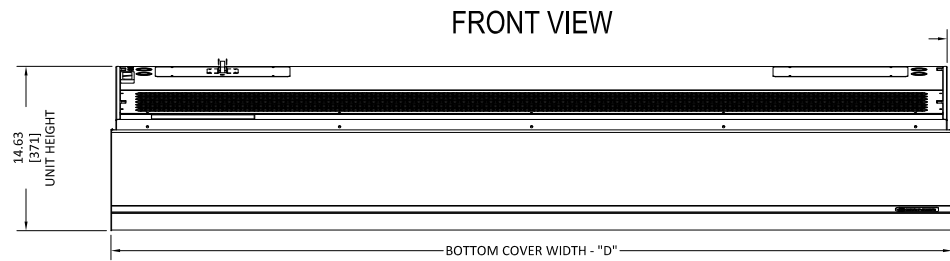
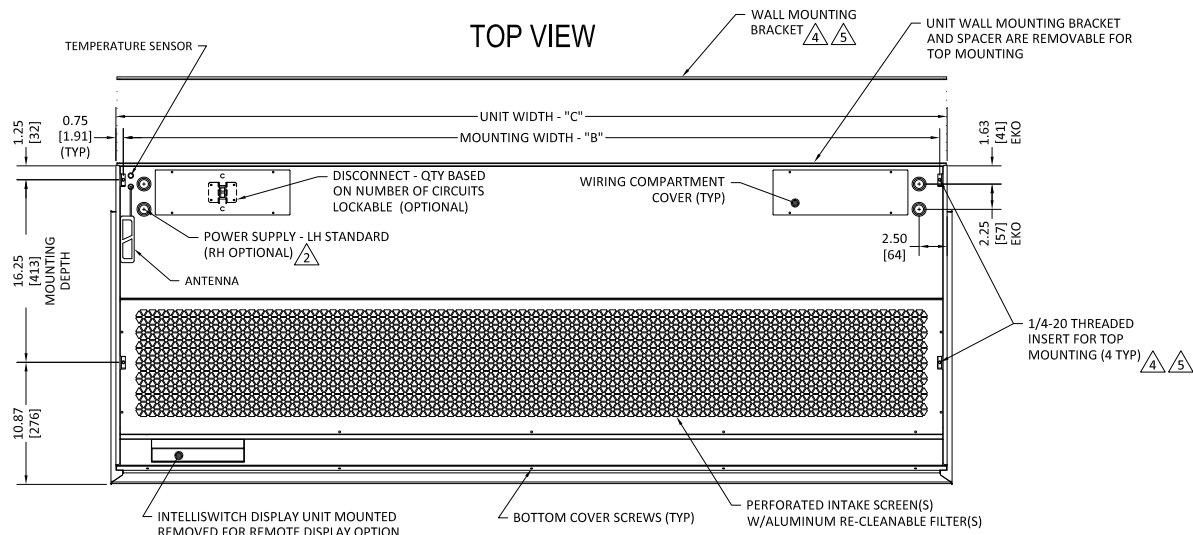
MODEL	kW (code)	Temp Rise °F	# CKTS	120/1/60 - 600/3/60 (voltage code L) 120V EC MOTOR AMP DRAW = 6.6 each				208/1/60 - 600/3/60 (voltage code M) 208V EC MOTOR AMP DRAW = 4.1 each				240/1/60 - 600/3/60 (voltage code N) 240V EC MOTOR AMP DRAW = 4.1 each				380/3/50 (voltage code O) EC MOTOR AMP DRAW = 4.1 each				
				AMPS PER CIRCUIT		BREAKER RATING PER CIRCUIT		# CKTS	AMPS PER CIRCUIT		BREAKER RATING PER CIRCUIT		# CKTS	AMPS PER CIRCUIT		BREAKER RATING PER CIRCUIT		# CKTS	AMPS PER CIRCUIT (including motor)	BREAKER RATING PER CIRCUIT
				120V/1	600V/3	120V/1	600V/3		208V/1	600V/3	208V/1	600V/3		240V/1	600V/3	240V/1	600V/3			
AE10-F-1036E AE10-F-1042E AE10-F-1048E AE10-F-1060E	14 (140)	30	2	6.6	13.5	15	20	2	4.1	13.5	15	20	2	4.1	13.5	15	20	1	25.4	35
	12 (120)	26	2	6.6	11.5	15	15	2	4.1	11.5	15	15	2	4.1	11.5	15	15	1	22.3	30
	10 (100)	21	2	6.6	9.6	15	15	2	4.1	9.6	15	15	2	4.1	9.6	15	15	1	19.3	25
	8 (080)	18	2	6.6	7.7	15	15	2	4.1	7.7	15	15	2	4.1	7.7	15	15	1	16.3	25
	6 (060)	13	2	6.6	5.8	15	15	2	4.1	5.8	15	15	2	4.1	5.8	15	15	1	13.2	20
AE10-F-2072E AE10-F-2078E AE10-F-2084E AE10-F-2096E AE10-F-2108E AE10-F-2120E	28 (280)	30	2	13.2	26.9	20	35	2	8.2	26.9	15	35	2	8.2	26.9	15	35	2	29.5/21.3	40/30
	24 (240)	26	2	13.2	23.1	20	30	2	8.2	23.1	15	30	2	8.2	23.1	15	30	1	44.7	60
	20 (200)	21	2	13.2	19.2	20	25	2	8.2	19.2	15	25	2	8.2	19.2	15	25	1	38.6	50
	16 (160)	18	2	13.2	15.4	20	20	2	8.2	15.4	15	20	2	8.2	15.4	15	20	1	32.5	40
	12 (120)	13	2	13.2	11.5	20	15	2	8.2	11.5	15	15	2	8.2	11.5	15	15	1	26.4	35
AE10-F-3132E AE10-F-3144E	42 (420)	30	2	19.8	40.4	25	60	2	12.3	40.4	20	60	2	12.3	40.4	20	60	2	33.6/42.5	40/60
	36 (360)	26	2	19.8	34.6	25	45	2	12.3	34.6	20	45	2	12.3	34.6	20	45	2	30.5/36.5	40/50
	30 (300)	21	2	19.8	28.9	25	40	2	12.3	28.9	20	40	2	12.3	28.9	20	40	2	27.5/30.4	35/40
	24 (240)	18	2	19.8	23.1	25	30	2	12.3	23.1	20	30	2	12.3	23.1	20	30	1	48.8	60
	18 (180)	13	2	19.8	17.3	25	25	2	12.3	17.3	20	25	2	12.3	17.3	20	25	1	39.6	50

Berner reserves the right to alter specifications without prior notice.

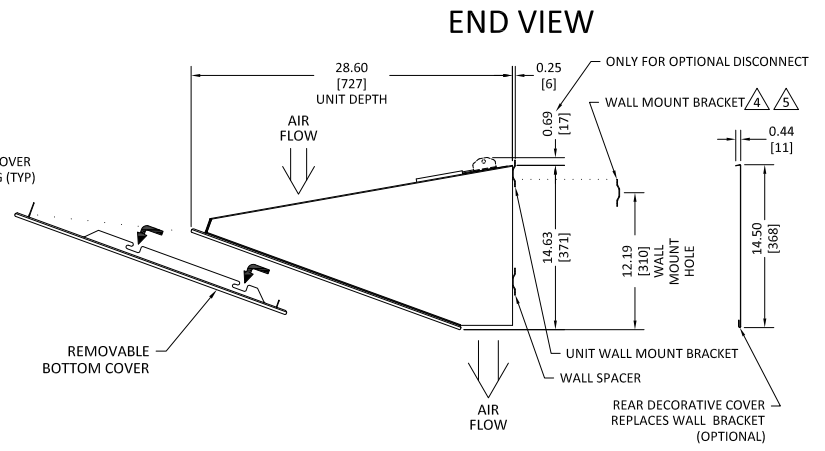
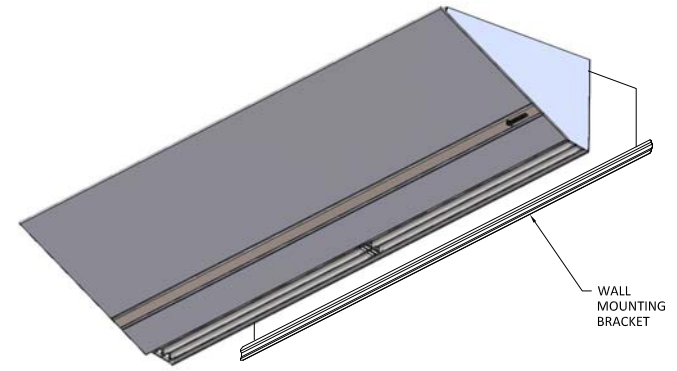
[www.berner.com](http://www.berner.com) **Berner International** 800.245.4455  
111 Progress Ave. / New Castle / PA / 16101 / USA

EP-232E-EC  
July, 2025

# AE10-F ELEC HEATED SYSTEM: 208 - 480V AND DUAL VOLTAGES



MODEL	NOZZLE WIDTH "A"	MOUNTING WIDTH "B"	UNIT WIDTH "C"	BOTTOM CVR WIDTH "D"
AE10-F-1036E*	36.00 [914]	36.50 [927]	38.00 [965]	38.88 [987]
AE10-F-1042E*	42.00 [1067]	42.50 [1080]	44.00 [1118]	44.88 [1140]
AE10-F-1048E*	48.00 [1219]	48.50 [1232]	50.00 [1270]	50.88 [1292]
AE10-F-1060E*	59.00 [1499]	59.50 [1511]	61.00 [1549]	61.88 [1572]
AE10-F-2072E*	72.00 [1829]	72.50 [1842]	74.00 [1880]	74.88 [1902]
AE10-F-2078E*	78.00 [1981]	78.50 [1994]	80.00 [2032]	80.88 [2054]
AE10-F-2084E*	84.00 [2134]	84.50 [2146]	86.00 [2184]	86.88 [2207]
AE10-F-2096E*	96.00 [2438]	96.50 [2451]	98.00 [2489]	98.88 [2511]
AE10-F-2108E*	108.00 [2743]	108.50 [2756]	110.00 [2794]	110.88 [2816]
AE10-F-2120E*	118.00 [2997]	118.50 [3010]	120.00 [3048]	120.88 [3070]
AE10-F-3132E*	132.00 [3353]	132.50 [3365]	134.00 [3404]	134.88 [3426]
AE10-F-3144E*	144.00 [3658]	144.50 [3670]	146.00 [3708]	146.88 [3731]



## NOTES:

- 1 AIR CURTAIN MUST BE INSTALLED SO AIR STREAM IS NOT OBSTRUCTED WHEN DEFLECTED 20° TO EITHER SIDE OF C.
- 2 ELECTRICAL CONNECTIONS TO BE FLEXIBLE.
- 3 FIELD VERIFY DIMENSIONS.
- 4 ANCHORS TO SUPPORTING STRUCTURE BY OTHERS.
- 5 ADEQUACY OF SUPPORTING STRUCTURE IS TO BE VERIFIED BY A PROFESSIONAL STRUCTURAL ENGINEER.
- 6 THE 12th CHARACTER IN THE MODEL NUMBER - "E" DESIGNATES ELECTRIC HEATED UNIT.
- 7 DIMENSIONS IN INCHES [MILLIMETERS].

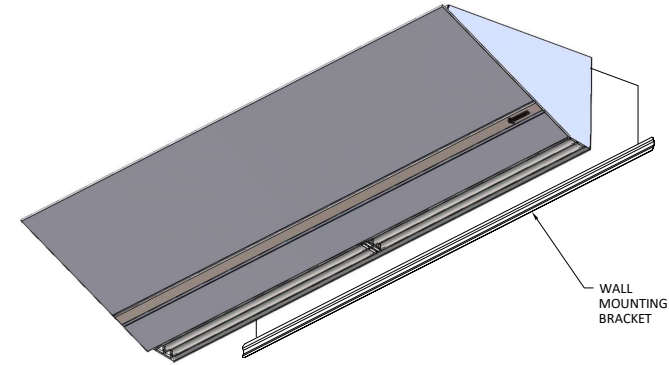
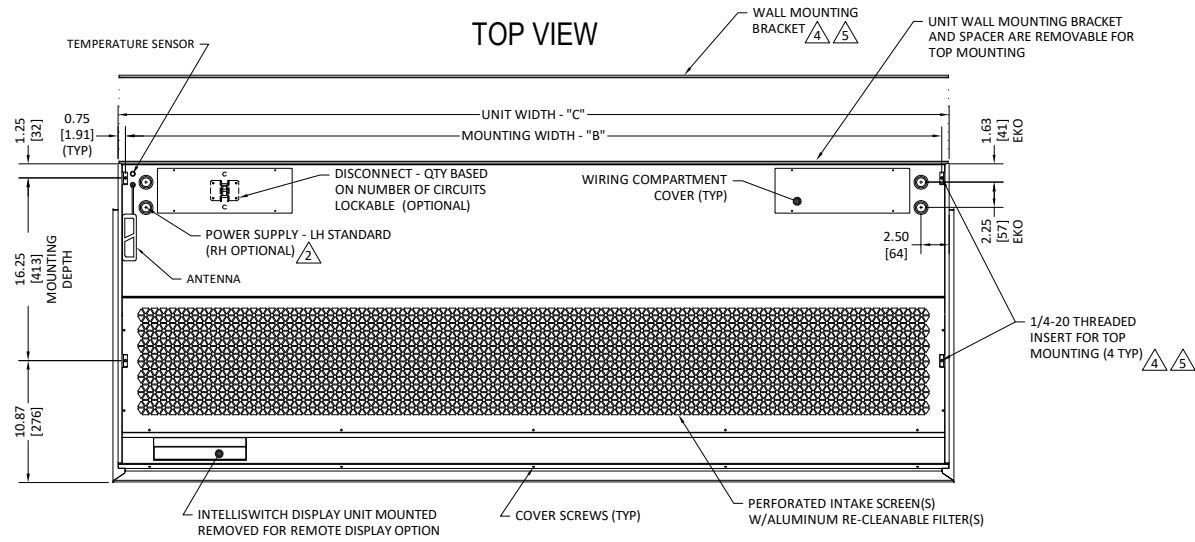
\* VOLTAGE CODES

B = 208/1/60
J = 240/1/60
V = 230/1/50
K = 120/480
L = 120/600
S = 208/480
M = 208/600
U = 240/480
N = 240/600
X = 208/3/60
Y = 240/3/60
O = 380/3/50
W = 277/1/60
ZZ = 480/3/60

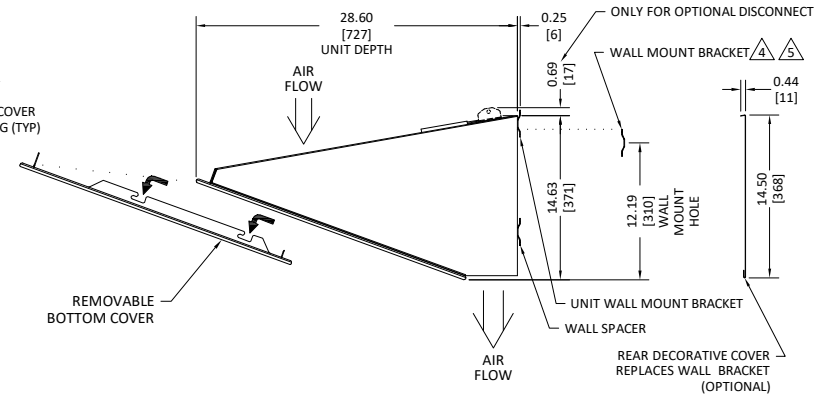
PROJECT		REV	1
LOCATION			
ARCHITECT			
ENGINEER			
DWG. NO.	AE10-F-ELE-208	TITLE:	<b>BERNER</b>
DATE	11APR2025	MODEL AE10-F AIR CURTAIN 208 - 480V ELECTRIC HEATED SYSTEM	
BY	S. Beil	BERNER INTERNATIONAL CORP. NEW CASTLE, PA.	
REPLACES	12NOV2024		
BY	D. Johnson		

# AE10-F ELECTRIC HEATED SYSTEM: 600V

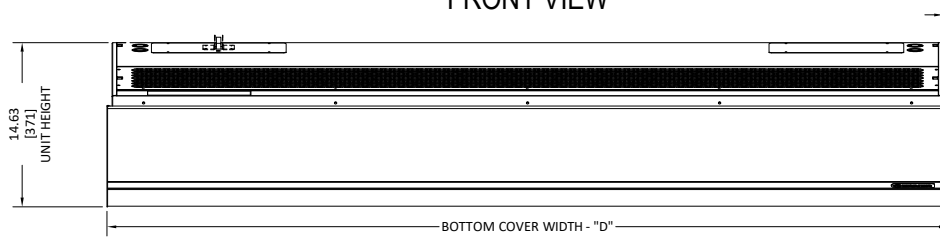
## TOP VIEW



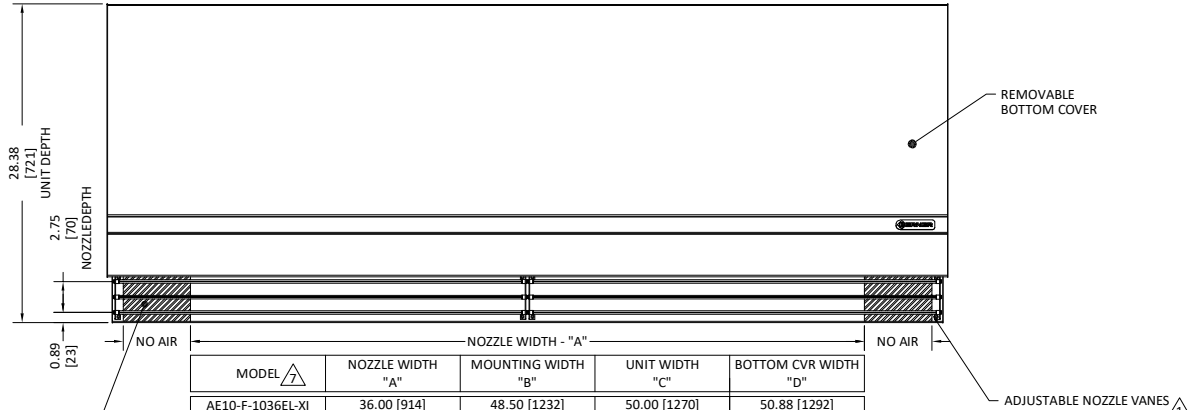
## END VIEW



## FRONT VIEW



## BOTTOM VIEW



MODEL	NOZZLE WIDTH "A"	MOUNTING WIDTH "B"	UNIT WIDTH "C"	BOTTOM CVR WIDTH "D"
AE10-F-1036EL-XI	36.00 [914]	48.50 [1232]	50.00 [1270]	50.88 [1292]
AE10-F-1042EL-XI	42.00 [1067]	48.50 [1232]	50.00 [1270]	50.88 [1292]
AE10-F-1048EL-XI	48.00 [1219]	59.50 [1511]	61.00 [1549]	61.88 [1572]
AE10-F-1060EL-XI	59.00 [1499]	72.50 [1842]	74.00 [1880]	74.88 [1902]
AE10-F-2072EL-XI	72.00 [1829]	84.50 [2146]	86.00 [2184]	86.88 [2207]
AE10-F-2078EL-XI	78.00 [1981]	84.50 [2146]	86.00 [2184]	86.88 [2207]
AE10-F-2084EL-XI	84.00 [2134]	96.50 [2451]	98.00 [2489]	98.88 [2511]
AE10-F-2096EL-XI	96.00 [2438]	108.50 [2756]	110.00 [2794]	110.88 [2816]
AE10-F-2108EL-XI	108.00 [2743]	118.50 [3010]	120.00 [3048]	120.88 [3070]
AE10-F-2120EL-XI	118.00 [2997]	132.50 [3365]	134.00 [3404]	134.88 [3426]
AE10-F-3132EL-XI	132.00 [3353]	144.50 [3670]	146.00 [3708]	146.88 [3731]
AE10-F-3144EL-XI	144.00 [3658]	156.50 [3975]	158.00 [4013]	158.88 [4035]

INACTIVE NOZZLE AREA FOR TRANSFORMER ENCLOSURE. CENTER ACTIVE NOZZLE. WIDTH DIMENSION "A" OVER THE OPENING

## NOTES:

- 1 AIR CURTAIN MUST BE INSTALLED SO AIR STREAM IS NOT OBSTRUCTED WHEN DEFLECTED 20° TO EITHER SIDE OF C.
- 2 ELECTRICAL CONNECTIONS TO BE FLEXIBLE.
- 3 FIELD VERIFY DIMENSIONS.
- 4 ANCHORS TO SUPPORTING STRUCTURE BY OTHERS.
- 5 ADEQUACY OF SUPPORTING STRUCTURE IS TO BE VERIFIED BY A PROFESSIONAL STRUCTURAL ENGINEER.
- 6 THE 12th CHARACTER IN THE MODEL NUMBER - "E" DESIGNATES ELECTRIC HEATED UNIT.
- 7 DIMENSIONS IN INCHES [MILLIMETERS].
- 8 NO AIR FLOW AREA HOUSES TRANSFORMER. CENTER ACTIVE NOZZLE WIDTH DIMENSION "A" OVER THE OPENING.

SHEET 1 OF 1

PROJECT		REV	0
LOCATION			
ARCHITECT			
ENGINEER			
DWG. NO.	AE10-F-ELE-600	TITLE:	<b>BERNER</b>
DATE	12NOV2024		MODEL AE10-F AIR CURTAIN 600V ELECTRIC HEATED SYSTEM
BY	D. Johnson		
REPLACES	-		
BY	-		BERNER INTERNATIONAL CORP. NEW CASTLE, PA.