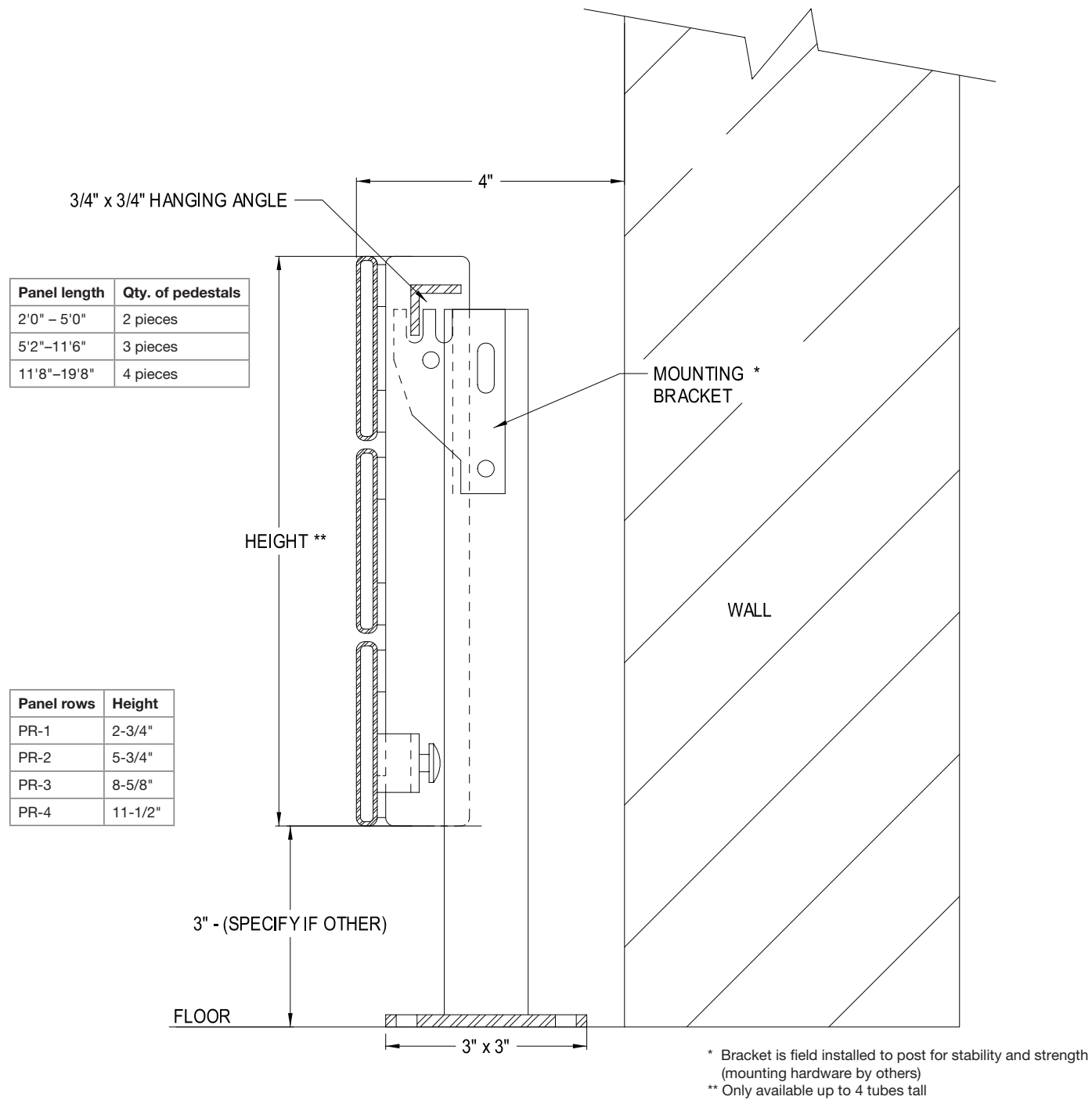


Rittling Steel Panel Radiator

PR Free Standing Floor Mount



Contractor _____

Architect _____

Engineer _____

Representative _____

Location _____

zehnder Rittling

BUFFALO, NY USA

TITLE

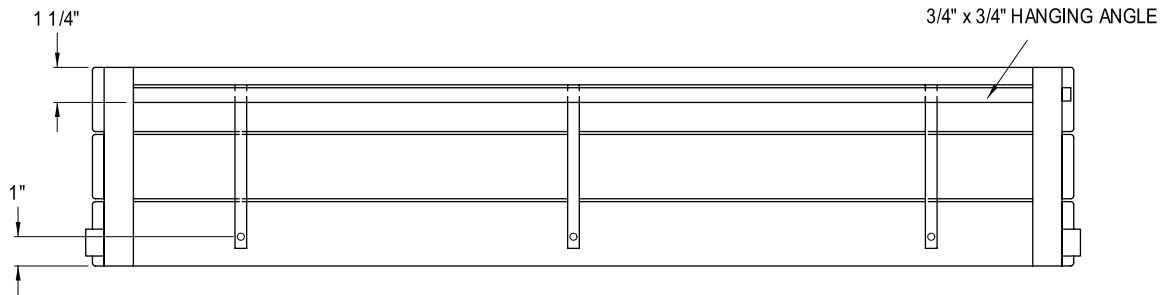
ZR_PanRad_PR_PedMount

DRAWING NUMBER

May 13, 2015

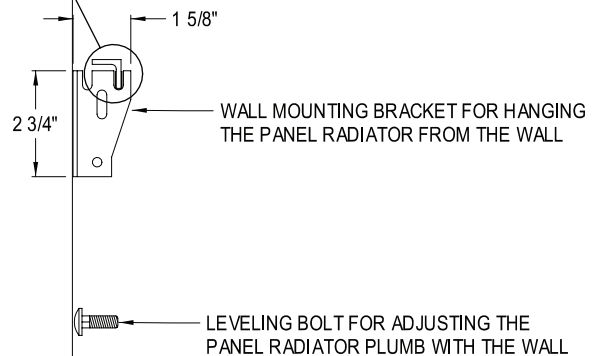
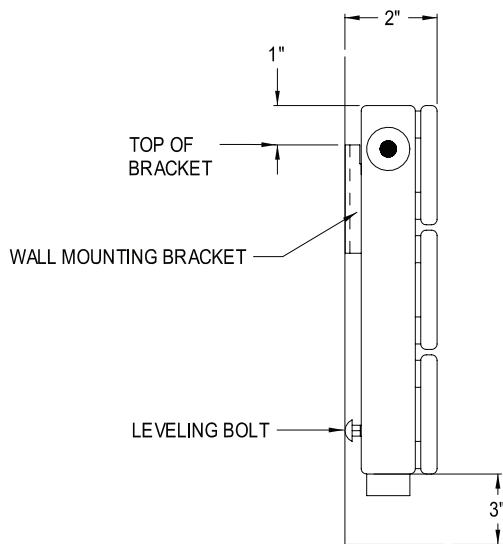
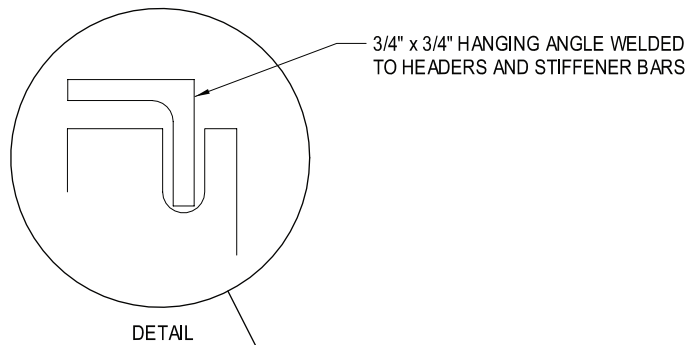
Rittling Steel Panel Radiator

PR Wall Mount (Back View) Typical Bracket Installation



Panel length	Qty. of brackets/ pedestals *
2'0" – 5'0"	2 pieces
5'2" – 11'6"	3 pieces
11'8" – 19'8"	4 pieces

* A LEVELING BOLT IS SUPPLIED FOR EACH BRACKET



Contractor _____

Architect _____

Engineer _____

Representative _____

Location _____

zehnder
Rittling

BUFFALO, NY USA

TITLE

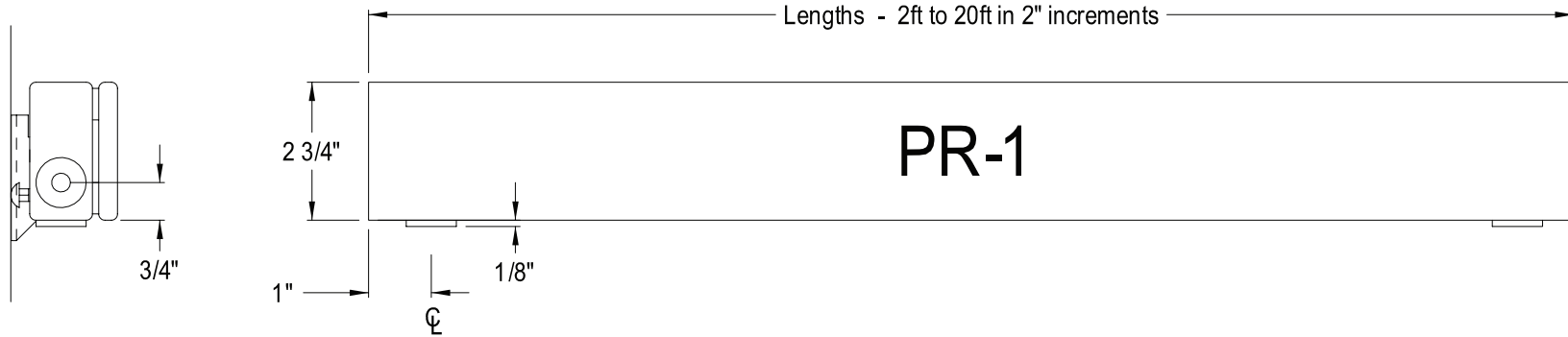
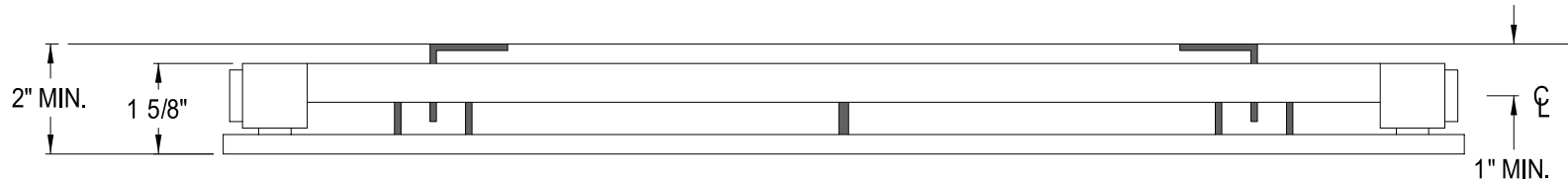
ZR_PanRad_PR_WallMount

DRAWING NUMBER


May 13, 2015

Rittling Steel Panel Radiator

PR-1

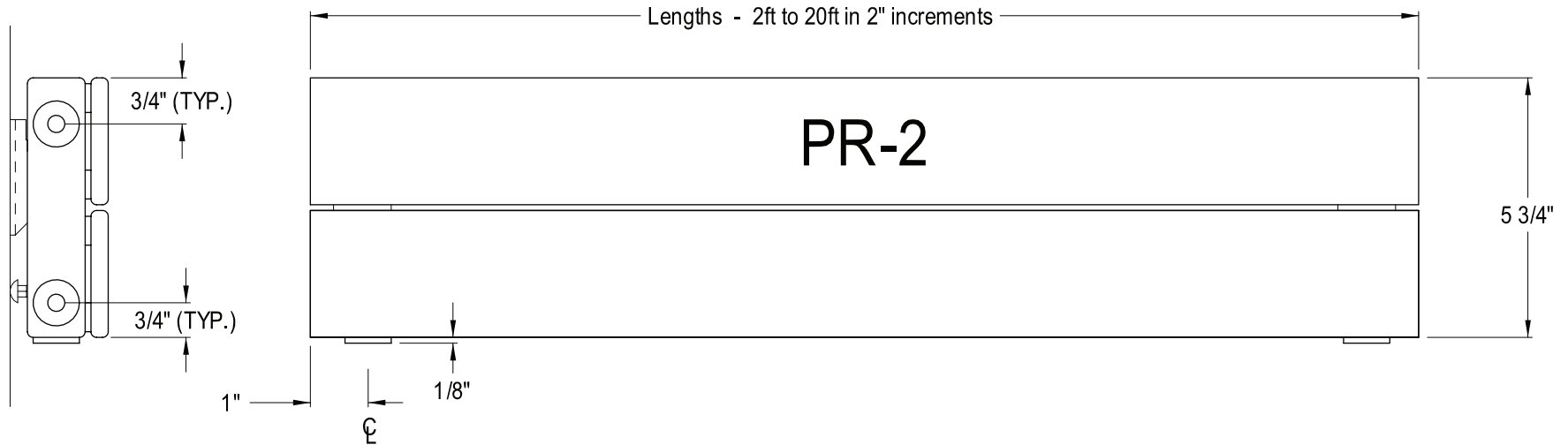
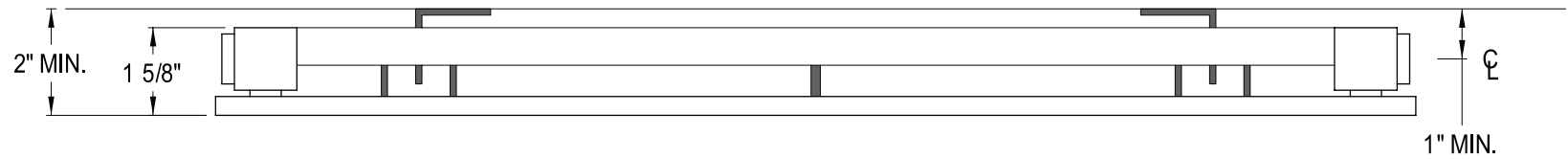


UNIT SHOWN WITH SIDE AND BOTTOM CONNECTIONS FOR DIMENSIONAL PURPOSES ONLY.
 PLEASE REFER TO PIPE CONNECTION SHEET FOR CONNECTION LOCATIONS AND SIZES OFFERED.

		BUFFALO, NY USA
Contractor _____ Representative _____		TITLE ZR_PanRad_PR-1
Architect _____ Location _____		DRAWING NUMBER
Engineer _____		April 1, 2012

Rittling Steel Panel Radiator

PR-2



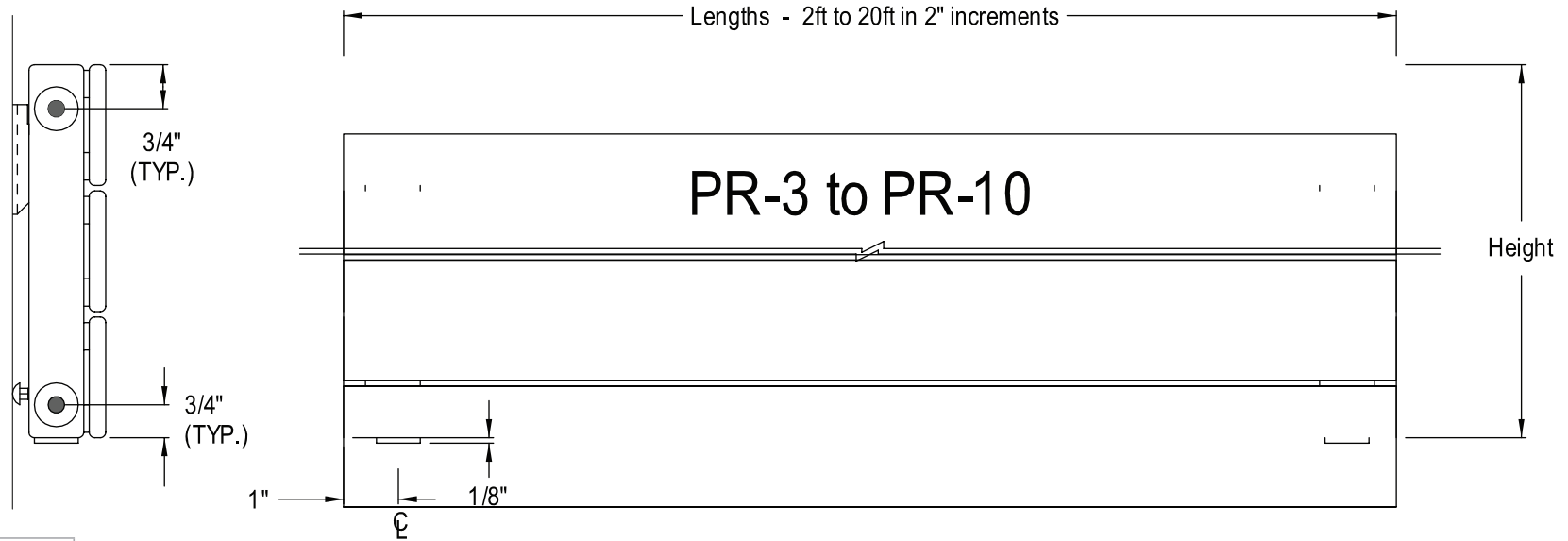
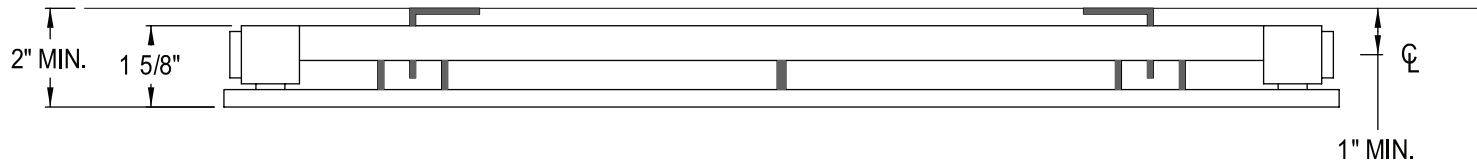
UNIT SHOWN WITH SIDE AND BOTTOM CONNECTIONS FOR DIMENSIONAL PURPOSES ONLY.
 PLEASE REFER TO PIPE CONNECTION SHEET FOR CONNECTION LOCATIONS AND SIZES OFFERED.

zehnder Rittling		BUFFALO, NY USA
TITLE		
ZR_PanRad_PR-2		
DRAWING NUMBER		
April 1, 2012		

Contractor _____ Representative _____
 Architect _____ Location _____
 Engineer _____

Rittling Steel Panel Radiator

PR-3 to PR-10



Panel rows	Height
PR-3	8-5/8"
PR-4	11-1/2"
PR-5	14-3/8"
PR-6	17-1/4"
PR-7	20-1/4"
PR-8	23-1/8"
PR-9	26-1/8"
PR-10	29"

zehnder Rittling BUFFALO, NY USA

TITLE
ZR_PanRad_PR-3toPR-10

DRAWING NUMBER

April 1, 2012

Contractor _____ Representative _____
 Architect _____ Location _____
 Engineer _____