



INDUSTRIAL DIRECT DRIVE 20

Ambient (Unheated) Air Curtain

Data Sheet

For Mounting Heights To 20' (environmental separation) and 18' (insect control)

STANDARD CONSTRUCTION

- Single speed T.E.A.O. motor(s) - direct drive
- Gray powder coated exterior (Optional: Custom Color or Stainless)
- Split cabinet construction for fan assembly removal
- Top Mounting only
- Front air intake (Optional: top)
- High efficiency Pro-V Nozzle



Berner International certifies that the air curtains shown herein are licensed to bear the AMCA Seal. The ratings shown are based on tests and procedures performed in accordance with AMCA Publication 211 and comply with the requirements of the AMCA Certified Ratings Program. Rated data shown is for base (unheated) units. The AMCA Certified Ratings Seal applies to airflow rate, average outlet velocity, outlet velocity uniformity, velocity projection and power rating at free delivery only.

Models IDC20-1084A, IDC20-1108A, IDC20-1132A, IDC20-1156A and IDC20-1180A are not licensed to bear the AMCA seal.

**5 Year
Limited
Warranty**



MODEL	Nozzle Width (in)	Max Vel. at Nozzle (fpm)	Avg. Outlet Vel. (fpm)	Air Volume (cfm)	Outlet Vel. Uniformity	Power Rating (kW)	Motor(s) @ hp	Net Wt. (lbs)
IDC20-1060A	60.00	6,580	3,870	6,854	89%	4.70	1 @ 5	390
IDC20-1072A	72.00	6,549	3,852	8,186	89%	4.90	1 @ 5	435
<i>IDC20-1084A</i>	<i>84.00</i>	<i>6,076</i>	<i>3,574</i>	<i>8,861</i>	<i>87%</i>	<i>4.90</i>	<i>1 @ 5</i>	<i>480</i>
IDC20-1096A	96.00	6,900	4,059	11,500	92%	6.80	1 @ 7½	600
<i>IDC20-1108A</i>	<i>108.00</i>	<i>6,747</i>	<i>3,969</i>	<i>12,650</i>	<i>90%</i>	<i>6.90</i>	<i>1 @ 7½</i>	<i>680</i>
IDC20-1120A	117.00	7,494	4,523	15,612	88%	8.70	1 @ 10	750
<i>IDC20-1132A</i>	<i>132.00</i>	<i>7,017</i>	<i>4,127</i>	<i>16,080</i>	<i>87%</i>	<i>8.90</i>	<i>1 @ 10</i>	<i>795</i>
IDC20-1144A	144.00	7,640	4,381	19,100	87%	11.70	1 @ 15	835
<i>IDC20-1156A</i>	<i>156.00</i>	<i>7,405</i>	<i>4,356</i>	<i>20,055</i>	<i>86%</i>	<i>11.90</i>	<i>1 @ 15</i>	<i>940</i>
IDC20-1168A	168.00	7,783	4,323	22,700	90%	12.80	1 @ 15	1,025
<i>IDC20-1180A</i>	<i>180.00</i>	<i>7,300</i>	<i>4,294</i>	<i>22,814</i>	<i>91%</i>	<i>12.90</i>	<i>1 @ 15</i>	<i>1,070</i>
IDC20-2192A	192.00	6,900	4,059	23,000	92%	13.60	2 @ 7½	1,190

NOTES:

1. Operation at 50 Hz will generate approximately a 17% reduction in air performance.
2. Consult factory for vertically mounted units.

See sheet EP-440 for amp draws/total load requirements.

MODEL NUMBER CONFIGURATION

IDC20-1 060 A D-F-SS

Series	# of Motors	Opening Width	Heat	Voltage	Intake	Opt. Cabinet Finish
IDC20	1, 2	060" - 192"	A=Ambient	D=208/3/60 E=240/3/60 H=480/3/60 I=600/3/60 T=380/3/50	T=Top F=Front	SS=Stainless Steel CC=Custom Color

VELOCITY PROFILE: Model IDC20-1060A					
Distance from Nozzle (in)	40	80	120	160	200
Core Velocity (fpm)	6480	4600	3507	3213	2947
Uniformity (%)	88	89	90	91	92

Sound level measured 10' (3m) from the unit in free field:
5, 7½, 10, 15 & (7½ + 7½) hp motor(s):
73 dBA, 75 dBA, 76 dBA, 78 dBA & 78 dBA
Sound data is not AMCA certified.

Berner reserves the right to alter specifications without prior notice.



INDUSTRIAL DIRECT DRIVE 20

Ambient (Unheated) Air Curtain Electrical Performance Sheet

MODEL	Qty @ HP	208/3/60 (voltage code D) TOTAL MOTOR AMP DRAW			240/3/60 (voltage code E) TOTAL MOTOR AMP DRAW			480/3/60 (voltage code H) TOTAL MOTOR AMP DRAW		
		# CKTS	AMPS PER CIRCUIT	BREAKER RATING PER CIRCUIT	# CKTS	AMPS PER CIRCUIT	BREAKER RATING PER CIRCUIT	# CKTS	AMPS PER CIRCUIT	BREAKER RATING PER CIRCUIT
IDC20-1060A IDC20-1072A IDC20-1084A	1 @ 5	1	17.0	35	1	15.8	35	1	7.9	20
IDC20-1096A IDC20-1108A	1 @ 7.5	1	23.0	50	1	22.0	45	1	11.0	25
IDC20-1120A IDC20-1132A	1 @ 10	1	31.5	60	1	30.6	60	1	15.3	30
IDC20-1144A IDC20-1156A IDC20-1168A IDC20-1180A	1 @ 15	1	46.0	100	1	44.0	100	1	22.0	45
IDC20-2192A	2 @ 7.5	1	46.0	70	1	44.0	70	1	22.0	35

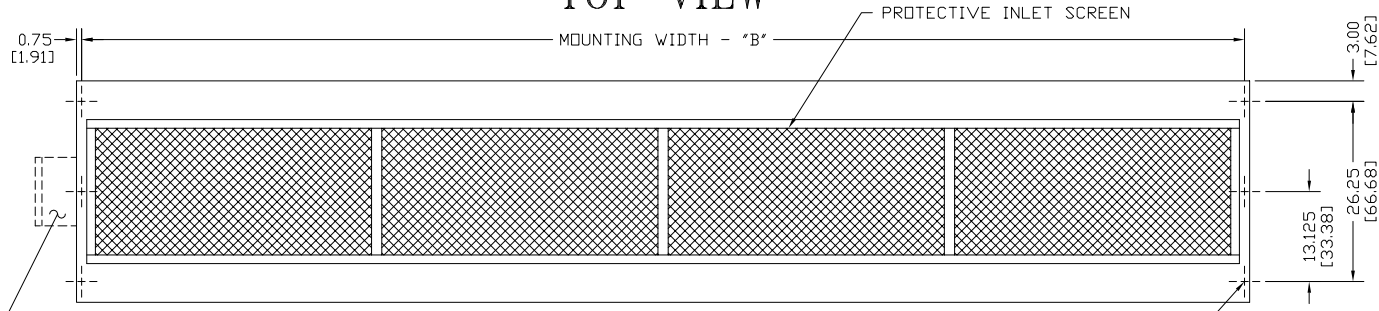
MODEL	Qty @ HP	600/3/60 (voltage code I) TOTAL MOTOR AMP DRAW			380/3/50 (voltage code T) TOTAL MOTOR AMP DRAW		
		# CKTS	AMPS PER CIRCUIT	BREAKER RATING PER CIRCUIT	# CKTS	AMPS PER CIRCUIT	BREAKER RATING PER CIRCUIT
IDC20-1060A IDC20-1072A IDC20-1084A	1 @ 5	1	6.3	15	1	7.7	20
IDC20-1096A IDC20-1108A	1 @ 7.5	1	8.5	20	1	9.0	20
IDC20-1120A IDC20-1132A	1 @ 10	1	11.7	25	1	12.5	25
IDC20-1144A IDC20-1156A IDC20-1168A IDC20-1180A	1 @ 15	1	17.5	35	1	18.0	40
IDC20-2192A	2 @ 7.5	1	17.0	30	1	18.0	30

Berner reserves the right to alter specifications without prior notice.

www.berner.com **Berner International** 800.245-4455
111 Progress Ave. / New Castle / PA / 16101 / USA

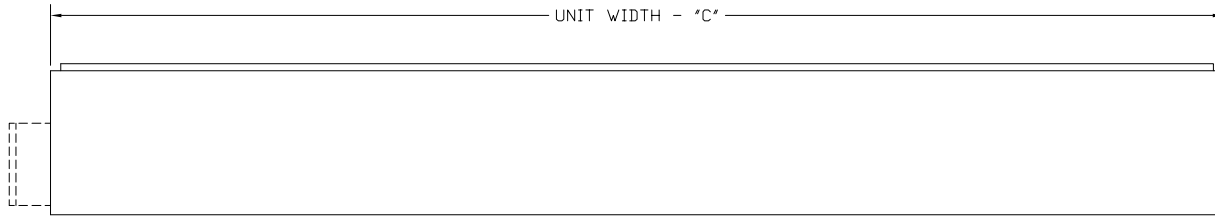
EP-440
December, 2018

TOP VIEW

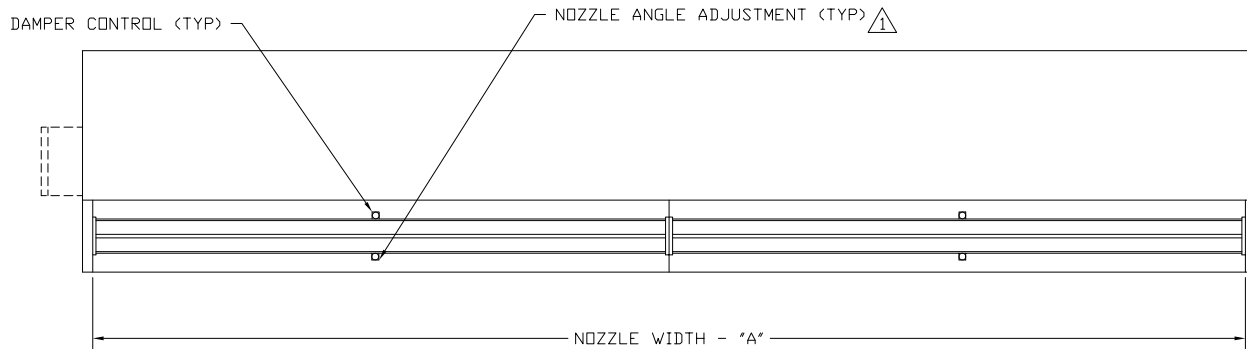


FRONT VIEW

Ø 0.50 [1.27] MOUNTING HOLES (TYP)

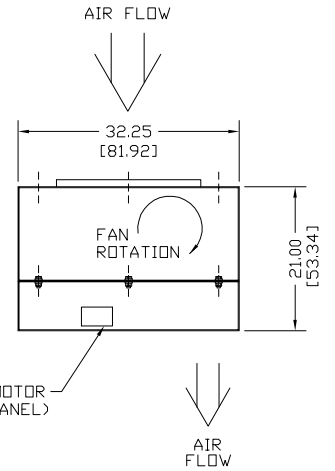


BOTTOM VIEW



IDC20 AMBIENT SYSTEM TOP INTAKE

END VIEW



ONE JUNCTION BOX PER MOTOR
(REQUIRED FOR REMOTE PANEL)
2.75 x 4.50 x 2.00
[6.99 x 11.43 x 5.08]

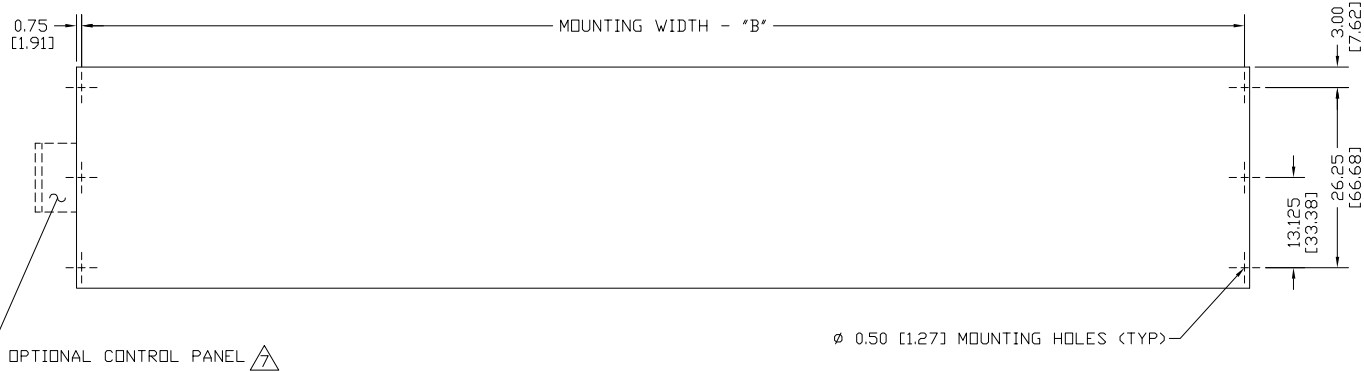
NOTES:

- ① AIR CURTAIN MUST BE INSTALLED SO AIR STREAM IS NOT OBSTRUCTED WHEN DEFLECTED 20° TO EITHER SIDE OF C.
- ② ELECTRICAL CONNECTIONS TO BE FLEXIBLE.
- ③ FIELD VERIFY DIMENSIONS.
- ④ ANCHORS TO SUPPORTING STRUCTURE BY OTHERS.
- ⑤ ADEQUACY OF SUPPORTING STRUCTURE IS TO BE VERIFIED BY A PROFESSIONAL STRUCTURAL ENGINEER.
- ⑥ LETTER "A" IN MODEL NUMBER DESIGNATES, AN AMBIENT UNIT. THE "T" DESIGNATES TOP INTAKE.
- ⑦ OPTIONAL CONTROL PANEL AVAILABLE: LEFT HAND MOUNT, RIGHT HAND MOUNT, OR REMOTE. PLEASE SPECIFY.
- ⑧ DIMENSIONS IN INCHES [CENTIMETERS].

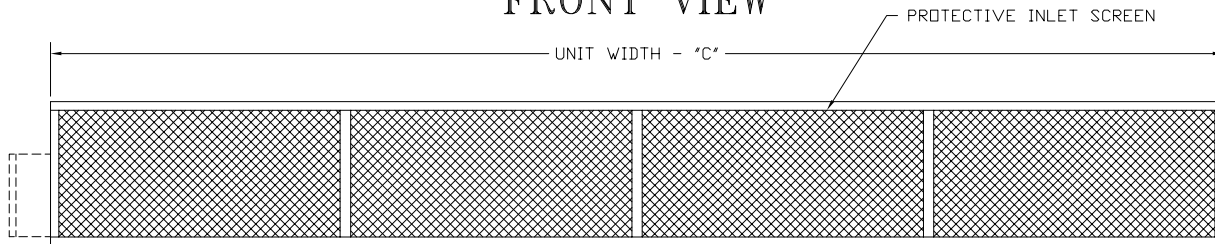
MODEL ⑥	NOZZLE WIDTH "A"	MOUNTING WIDTH "B"	UNIT WIDTH "C"
IDC20-1060A-T	60.00 [152.40]	61.50 [156.21]	63.00 [160.02]
IDC20-1072A-T	72.00 [182.88]	73.50 [186.69]	75.00 [190.50]
IDC20-1084A-T	84.00 [213.36]	85.50 [217.17]	87.00 [220.98]
IDC20-1096A-T	96.00 [243.84]	97.50 [247.65]	99.00 [251.46]
IDC20-1108A-T	108.00 [274.32]	109.50 [278.13]	111.00 [281.94]
IDC20-1120A-T	117.00 [297.18]	118.50 [300.99]	120.00 [304.80]
IDC20-1132A-T	132.00 [335.28]	133.50 [339.09]	135.00 [342.90]
IDC20-1144A-T	144.00 [365.76]	145.50 [369.57]	147.00 [373.38]
IDC20-1156A-T	156.00 [396.24]	157.50 [400.05]	159.00 [403.86]
IDC20-1168A-T	168.00 [426.72]	169.50 [430.53]	171.00 [434.34]
IDC20-1180A-T	180.00 [457.20]	181.50 [461.01]	183.00 [464.82]
IDC20-2192A-T	192.00 [487.68]	193.50 [491.49]	195.00 [495.30]

PROJECT		TITLE: BERNER
LOCATION		MODEL IDC20 AIR CURTAIN
ARCHITECT		TOP INTAKE AMBIENT SYSTEM
ENGINEER		
DWG. NO.	IDC20-AMB1	
DATE	09JUNE14	
BY	S. Beil	
REPLACES	-	
BY	-	BERNER INTERNATIONAL CORP. NEW CASTLE, PA.

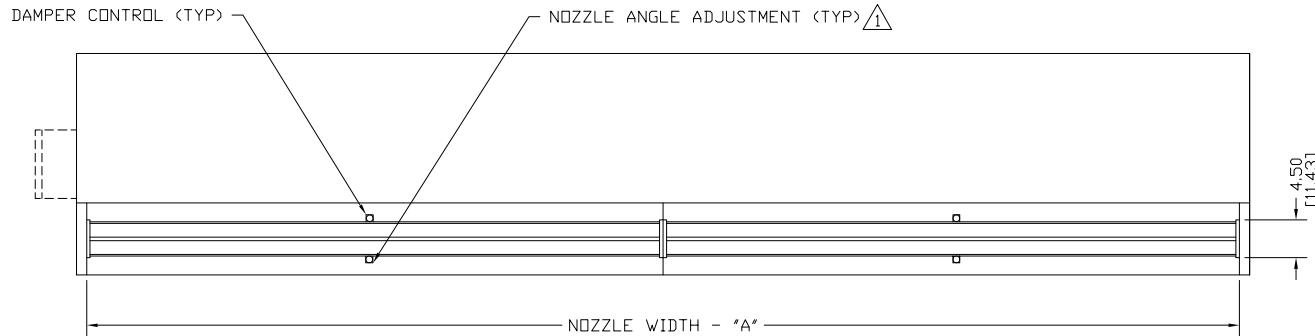
TOP VIEW



FRONT VIEW

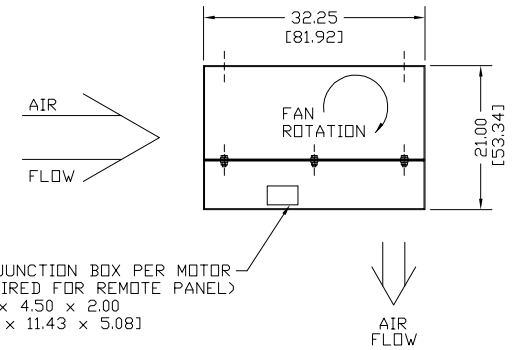


BOTTOM VIEW



IDC20 AMBIENT SYSTEM FRONT INTAKE

END VIEW



NOTES:

- ① AIR CURTAIN MUST BE INSTALLED SO AIR STREAM IS NOT OBSTRUCTED WHEN DEFLECTED 20° TO EITHER SIDE OF C.
- ② ELECTRICAL CONNECTIONS TO BE FLEXIBLE.
- ③ FIELD VERIFY DIMENSIONS.
- ④ ANCHORS TO SUPPORTING STRUCTURE BY OTHERS.
- ⑤ ADEQUACY OF SUPPORTING STRUCTURE IS TO BE VERIFIED BY A PROFESSIONAL STRUCTURAL ENGINEER.
- ⑥ LETTER 'A' IN MODEL NUMBER DESIGNATES, AN AMBIENT UNIT. THE 'F' DESIGNATES FRONT INTAKE.
- ⑦ OPTIONAL CONTROL PANEL AVAILABLE: LEFT HAND MOUNT, RIGHT HAND MOUNT, OR REMOTE. PLEASE SPECIFY.
- ⑧ DIMENSIONS IN INCHES [CENTIMETERS].

MODEL ⑥	NOZZLE WIDTH 'A'	MOUNTING WIDTH 'B'	UNIT WIDTH 'C'
IDC20-1060A-F	60.00 [152.40]	61.50 [156.21]	63.00 [160.02]
IDC20-1072A-F	72.00 [182.88]	73.50 [186.69]	75.00 [190.50]
IDC20-1084A-F	84.00 [213.36]	85.50 [217.17]	87.00 [220.98]
IDC20-1096A-F	96.00 [243.84]	97.50 [247.65]	99.00 [251.46]
IDC20-1108A-F	108.00 [274.32]	109.50 [278.13]	111.00 [281.94]
IDC20-1120A-F	117.00 [297.18]	118.50 [300.99]	120.00 [304.80]
IDC20-1132A-F	132.00 [335.28]	133.50 [339.09]	135.00 [342.90]
IDC20-1144A-F	144.00 [365.76]	145.50 [369.57]	147.00 [373.38]
IDC20-1156A-F	156.00 [396.24]	157.50 [400.05]	159.00 [403.86]
IDC20-1168A-F	168.00 [426.72]	169.50 [430.53]	171.00 [434.34]
IDC20-1180A-F	180.00 [457.20]	181.50 [461.01]	183.00 [464.82]
IDC20-2192A-F	192.00 [487.68]	193.50 [491.49]	195.00 [495.30]

PROJECT		TITLE: BERNER MODEL IDC20 AIR CURTAIN FRONT INTAKE AMBIENT SYSTEM
LOCATION		
ARCHITECT		
ENGINEER		
DWG. NO.	IDC20-AMB2	BY: S. Beil
DATE	09JUNE14	
REPLACES	-	BY: -
BY	-	
BERNER INTERNATIONAL CORP. NEW CASTLE, PA.		