



ARCHITECTURAL HIGH PERFORMANCE 10

Hot Water Heated Air Curtain

Data Sheet

For Mounting Heights To 10' (environmental separation)

STANDARD CONSTRUCTION

- 12 ¼" high x 21 ¼" deep
- 1/2 hp motor(s) - ten speeds
- Factory installed Intelliswitch digital controller
- Clear satin anodized aluminum exterior (Optional: Custom Color or Stainless)
- Wall & Top Mounting
- High efficiency, low noise Pro-V Nozzle
- Factory installed coil
- Optional: Filter (washable)
- Optional: Wi-Fi Controller, works with the Berner App



Berner International certifies that the air curtains shown herein are licensed to bear the AMCA Seal. The ratings shown are based on tests and procedures performed in accordance with AMCA Publication 211 and comply with the requirements of the AMCA Certified Ratings Program. Rated data shown is for base (hot water heated) units. The AMCA Certified Ratings Seal applies to airflow rate, average outlet velocity, outlet velocity uniformity, velocity projection and power rating at free delivery only.

2 Year Limited Warranty



indoor use

MODEL	Nozzle Width (in)	Max Vel. at Nozzle (fpm)	Avg. Outlet Vel. (fpm)	Air Volume (cfm)	Outlet Vel. Uniformity	Power Rating (kW)	Motor(s) @ hp	Coil Output (MBH)	Entering / Leaving Water Temp. (°F)	Water Flow (GPM)	Fluid Pressure Drop (FT. WG.)	Air Temp. Rise (°F)	Net Wt. (lbs)
AHD10-1036W	36.75	6,556	2,183	1,393	87%	0.53	1 @ ½	34.0	180° / 166°	5.0	0.7	22°	98
AHD10-1042W	42.75	7,182	1,929	1,432	68%	0.54	1 @ ½	35.7	180° / 162°	4.0	0.5	23°	104
AHD10-1048W	48.75	6,600	1,718	1,454	57%	0.55	1 @ ½	38.6	180° / 160°	4.0	0.5	24°	109
AHD10-2060W	60.75	7,300	2,011	2,121	76%	0.84	2 @ ½	58.2	180° / 165°	8.0	2.1	25°	171
AHD10-2072W	74.50	6,556	2,154	2,786	87%	1.06	2 @ ½	71.2	180° / 161°	7.5	1.9	23°	182
AHD10-2084W	86.50	7,182	1,907	2,864	68%	1.08	2 @ ½	78.6	180° / 160°	8.0	2.3	25°	198
AHD10-2096W	98.50	6,600	1,701	2,908	57%	1.10	2 @ ½	84.1	180° / 158°	8.0	2.4	26°	209
AHD10-3108W	112.25	6,556	2,144	4,179	87%	1.59	3 @ ½	111.0	180° / 159°	11.0	4.6	24°	241
AHD10-3120W	118.25	6,556	2,055	4,218	68%	1.60	3 @ ½	116.1	180° / 160°	12.0	5.5	25°	249

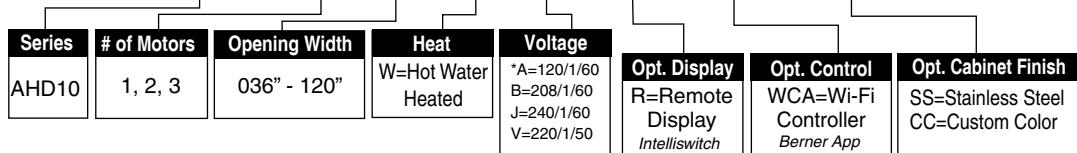
NOTES:

1. Operation at 50 Hz will generate approximately a 17% reduction in performance.
2. Standard connection same end supply/return.
3. Coil should be field supplied with a solenoid valve that energizes only when air curtain is energized. Consideration must be taken for freeze protection when necessary.
4. Maximum leaving air temperature shall not exceed 120°F.
5. Consult factory for alternate entering air & water temperatures, GPM's, or vertically mounted units.

See sheet EP-216 for amp draws/total load requirements.

MODEL NUMBER CONFIGURATION

AHD10-1 036 W A -R-WCA-SS



*Suitable for 50hz

for Standard offering, leave options (Opt.) blank

VELOCITY PROJECTION: Model AHD10-1036W

Distance from Nozzle (in)	40	80	120	160	200
Core Velocity (fpm)	2511	1689	1500	1189	1056
Uniformity (%)	94	96	92	93	93

Sound level measured 10' (3m) from the unit in free field:

1 motor: Min./Max. Speed: 53/56 dBA

2 motors: Min./Max. Speed: 56/59 dBA

3 motors: Min./Max. Speed: 59/62 dBA

Sound data is not AMCA certified.

Berner reserves the right to alter specifications without prior notice.

www.berner.com Berner International 800.245.4455
111 Progress Ave. / New Castle / PA / 16101 / USA

DS-216D
April, 2018



ARCHITECTURAL HIGH PERFORMANCE 10

Hot Water Heated Air Curtain Electrical Performance Sheet

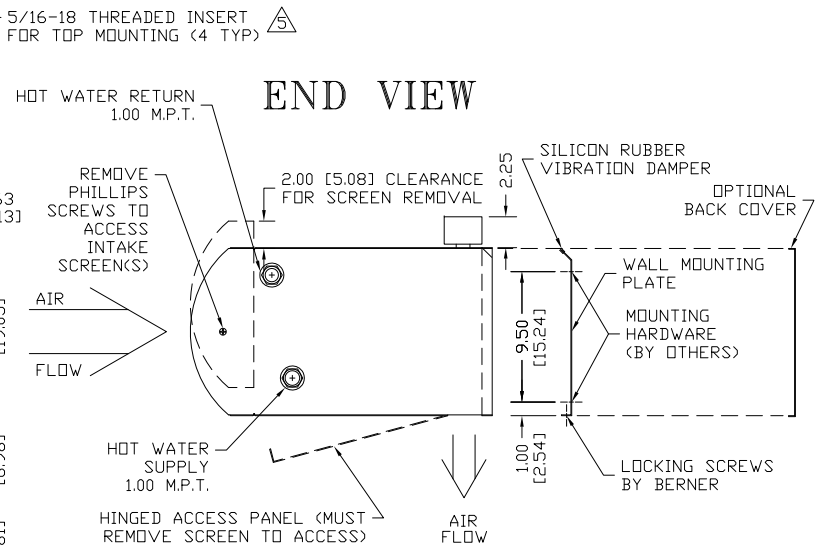
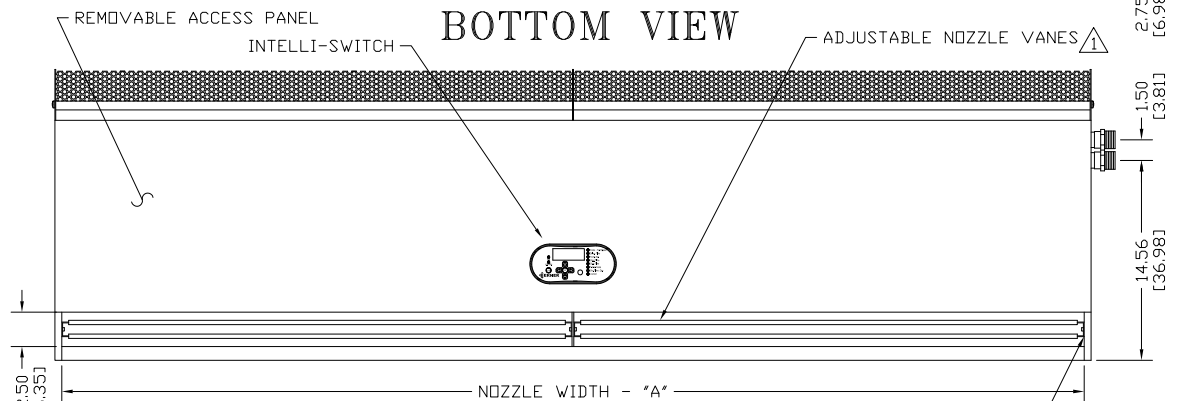
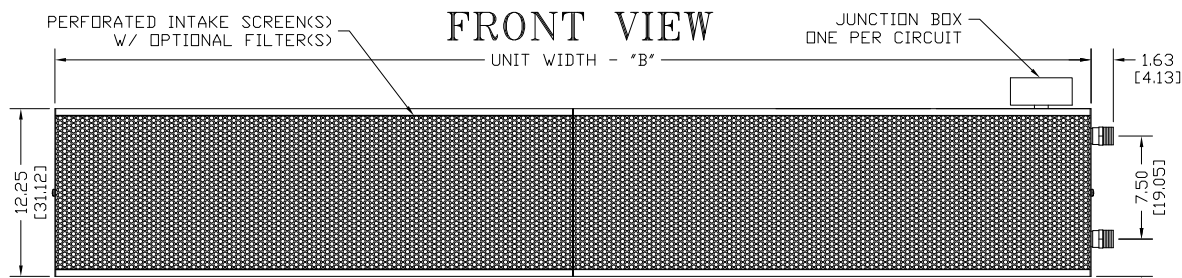
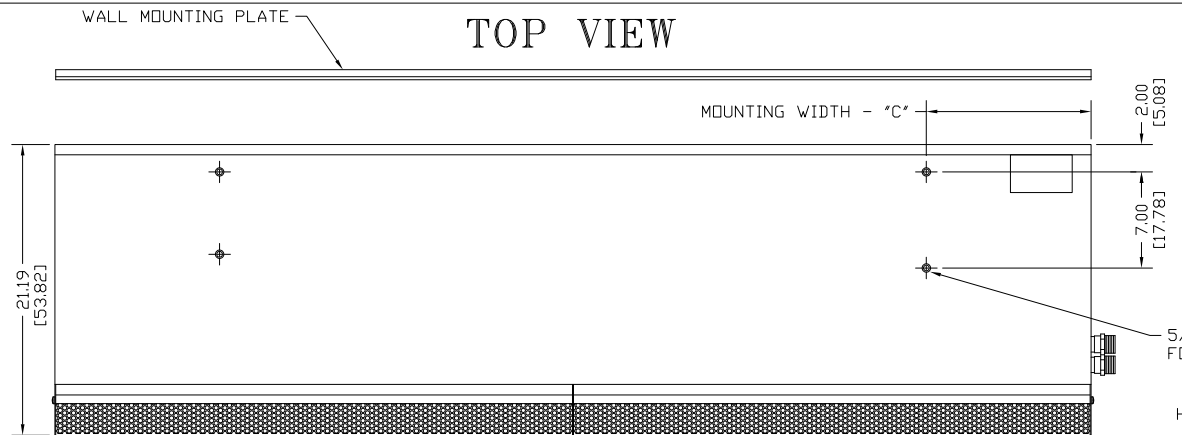
MODEL	# CKTS	120/1/60 (voltage code A) MOTOR AMP DRAW = 8.5 each		208/1/60 (voltage code B) MOTOR AMP DRAW = 4.3 each		240/1/60 (voltage code J) or 220/1/50 (voltage code V) MOTOR AMP DRAW = 4.3 each			
		AMPS PER CIRCUIT	BREAKER RATING PER CIRCUIT	# CKTS	AMPS PER CIRCUIT	BREAKER RATING PER CIRCUIT	# CKTS	AMPS PER CIRCUIT	BREAKER RATING PER CIRCUIT
AHD10-1036W AHD10-1042W AHD10-1048W	1	8.5	15	1	4.3	15	1	4.3	15
AHD10-2060W AHD10-2072W AHD10-2084W AHD10-2096W	1	17.0	20	1	8.6	15	1	8.6	15
AHD10-3108W AHD10-3120W	1	25.5	30	1	12.9	20	1	12.9	20

Berner reserves the right to alter specifications without prior notice.

www.berner.com Berner International 800.245-4455
111 Progress Ave. / New Castle / PA / 16101 / USA

EP-216
June, 2017

AHD10 HOT WATER HEATED



NOTES:

- ① AIR CURTAIN MUST BE INSTALLED SO AIR STREAM IS NOT OBSTRUCTED WHEN DEFLECTED 20° TO EITHER SIDE OF C .
- ② ELECTRICAL CONNECTIONS TO BE FLEXIBLE.
- ③ FIELD VERIFY DIMENSIONS.
- ④ ANCHORS TO SUPPORTING STRUCTURE BY OTHERS.
- ⑤ ADEQUACY OF SUPPORTING STRUCTURE IS TO BE VERIFIED BY A PROFESSIONAL STRUCTURAL ENGINEER.
- ⑥ LETTER 'W' IN MODEL NUMBER DESIGNATES HOT WATER HEATED UNIT.
- △ DIMENSIONS IN INCHES (CENTIMETERS).

MODEL ^⑥	NOZZLE WIDTH "A"	UNIT WIDTH "B"	MOUNTING WIDTH "C"
AHD10-1036W	36.75 [93.35]	37.75 [95.89]	8.00 [20.32]
AHD10-1042W	42.75 [108.59]	43.75 [111.13]	8.00 [20.32]
AHD10-1048W	48.75 [123.83]	49.75 [126.37]	10.00 [25.40]
AHD10-2060W	60.75 [153.31]	61.75 [156.85]	8.00 [20.32]
AHD10-2072W	74.50 [189.23]	75.50 [191.77]	12.00 [30.48]
AHD10-2084W	86.50 [219.71]	87.50 [222.25]	12.00 [30.48]
AHD10-2096W	98.50 [250.19]	99.50 [252.73]	27.00 [68.58]
AHD10-3108W	112.25 [285.12]	113.25 [287.66]	27.00 [68.58]
AHD10-3120W	118.25 [300.36]	119.25 [302.90]	27.00 [68.58]

PROJECT		TITLE: BERNER
LOCATION		MODEL AHD10 AIR CURTAIN
ARCHITECT		HOT WATER HEATED SYSTEM
ENGINEER		BERNER INTERNATIONAL CORP. NEW CASTLE, PA.
DWG. NO.	AHD10-WTR	
DATE	30MAY2017	
BY	S. Beil	
REPLACES	31MAR2017	
BY	S. Beil	