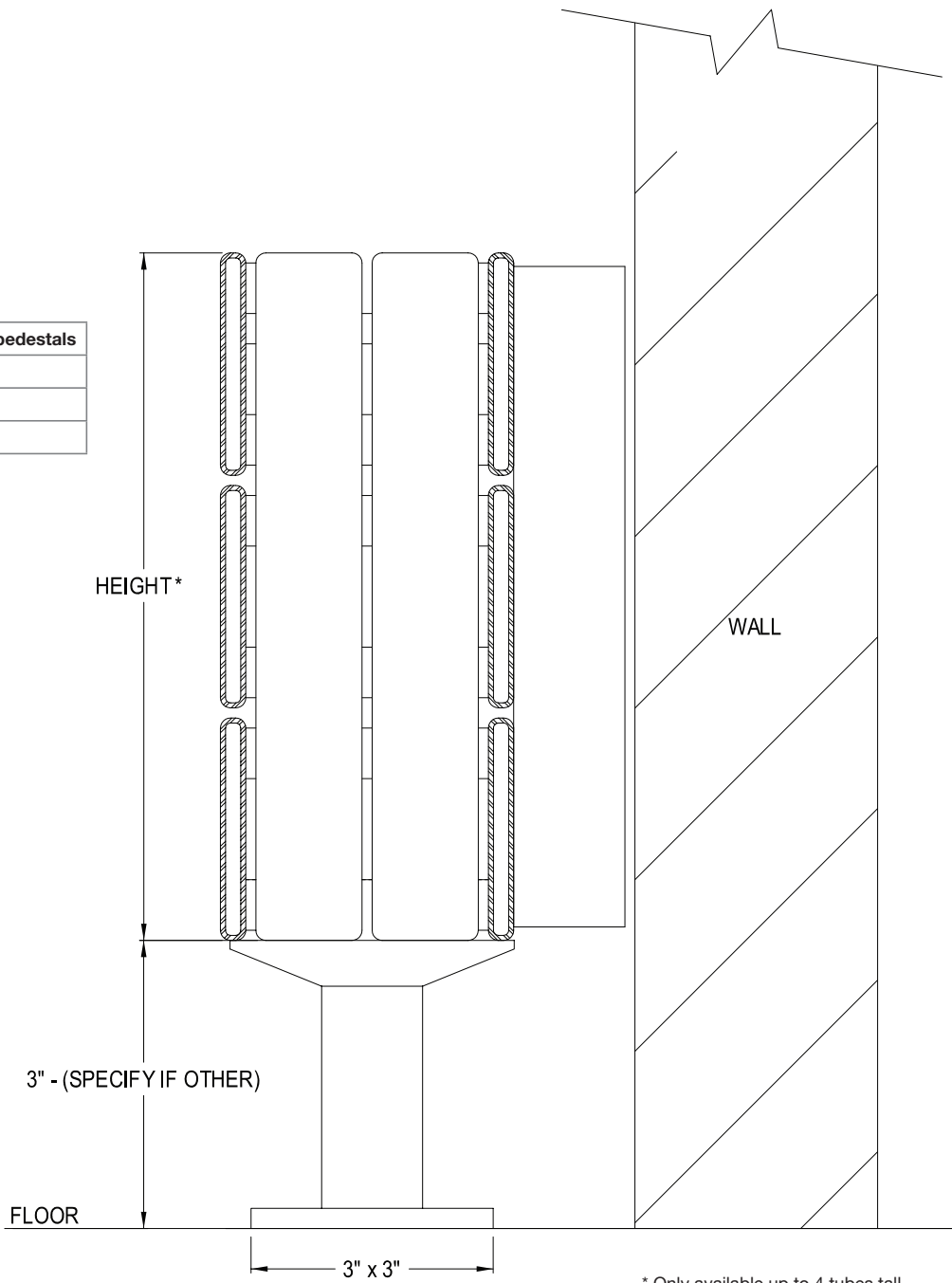


Rittling Steel Panel Radiator

PR3F Free Standing Floor Mount

Panel length	Qty. of pedestals
2'0" - 5'0"	2 pieces
5'2" - 11'6"	3 pieces
11'8" - 16'0"	4 pieces

Panel rows	Height
PR3F-1	2-3/4"
PR3F-2	5-3/4"
PR3F-3	8-5/8"
PR3F-4	11-1/2"



Contractor _____

Architect _____

Engineer _____

Representative _____

Location _____

zehnder
Rittling

BUFFALO, NY USA

TITLE

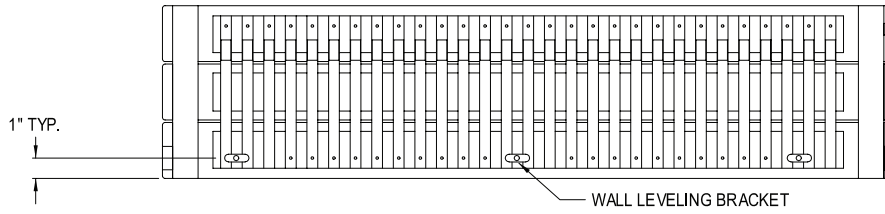
ZR_PanRad_PR3F_PedMount

DRAWING NUMBER

May 13, 2015

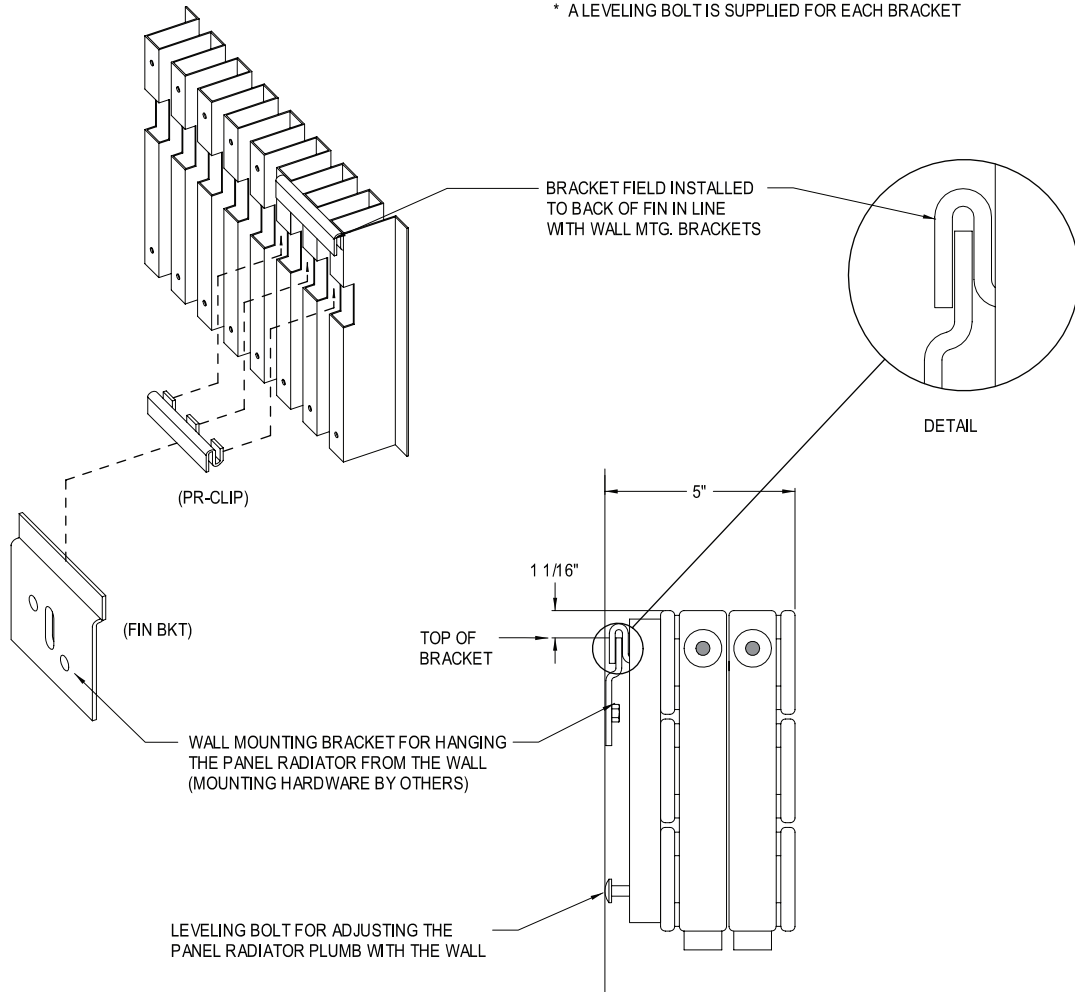
Rittling Steel Panel Radiator

PR3F Wall Mount (Back View), Typical Bracket Installation



Panel length	Qty. of brackets
2'0" - 5'0"	2 pieces
5'2" - 11'6"	3 pieces
11'8" - 16'0"	4 pieces

* A LEVELING BOLT IS SUPPLIED FOR EACH BRACKET



Contractor _____

Architect _____

Engineer _____

Representative _____

Location _____

zehnder
Rittling

BUFFALO, NY USA

TITLE

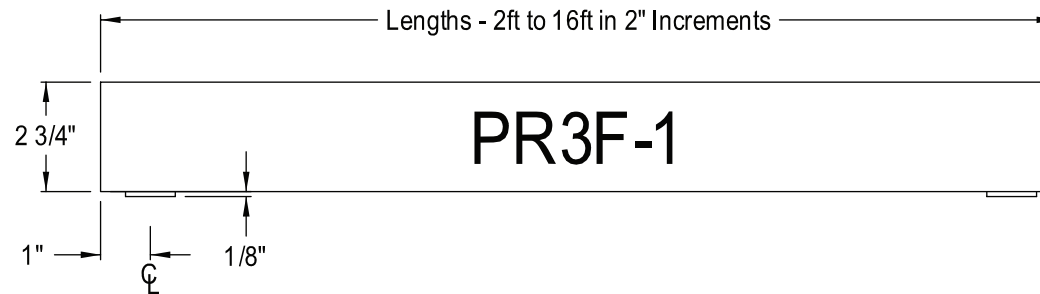
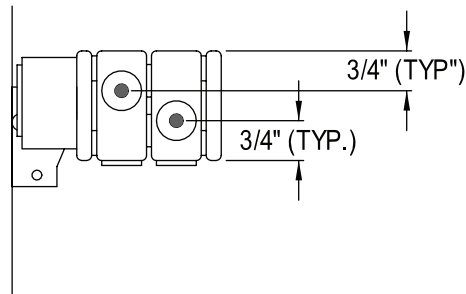
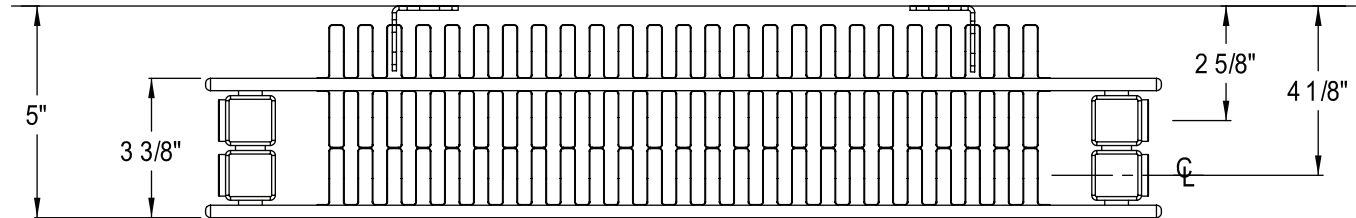
ZR_PanRad_PR3F_WallMount

DRAWING NUMBER

May 13, 2015

Rittling Steel Panel Radiator

PR3F-1



ALL PR3F UNITS PROVIDED WITH SUPPLY CONNECTION ON FRONT HEADER AND RETURN CONNECTION ON REAR HEADER.
 UNIT SHOWN WITH SIDE AND BOTTOM CONNECTIONS FOR DIMENSIONAL PURPOSES ONLY.
 PLEASE REFER TO PIPE CONNECTION SHEET FOR CONNECTION LOCATIONS AND SIZES OFFERED.

zehnder Rittling		BUFFALO, NY USA
TITLE		
ZR_PanRad_PR3F-1		
DRAWING NUMBER		
April 1, 2012		

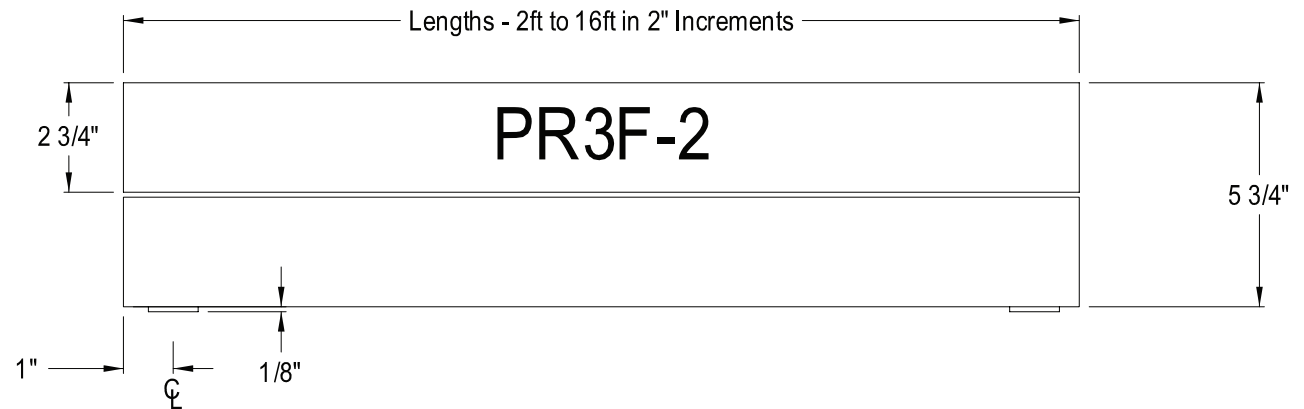
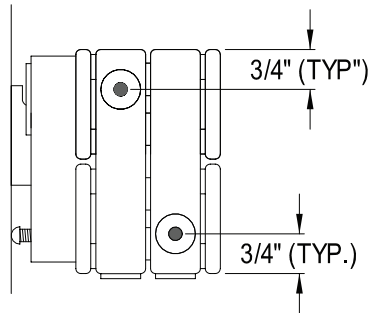
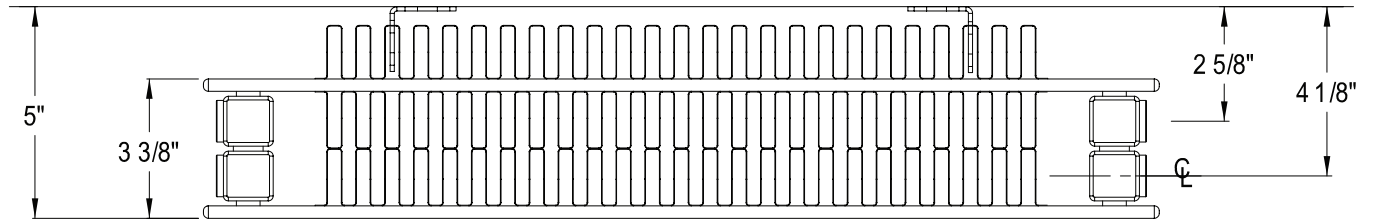
Contractor _____ Representative _____

Architect _____ Location _____

Engineer _____

Rittling Steel Panel Radiator

PR3F-2



ALL PR3F UNITS PROVIDED WITH SUPPLY CONNECTION ON FRONT HEADER AND RETURN CONNECTION ON REAR HEADER.

UNIT SHOWN WITH SIDE AND BOTTOM CONNECTIONS FOR DIMENSIONAL PURPOSES ONLY.

PLEASE REFER TO PIPE CONNECTION SHEET FOR CONNECTION LOCATIONS AND SIZES OFFERED.

zehnder Rittling

BUFFALO, NY USA

TITLE

ZR_PanRad_PR3F-2

DRAWING NUMBER

April 1, 2012

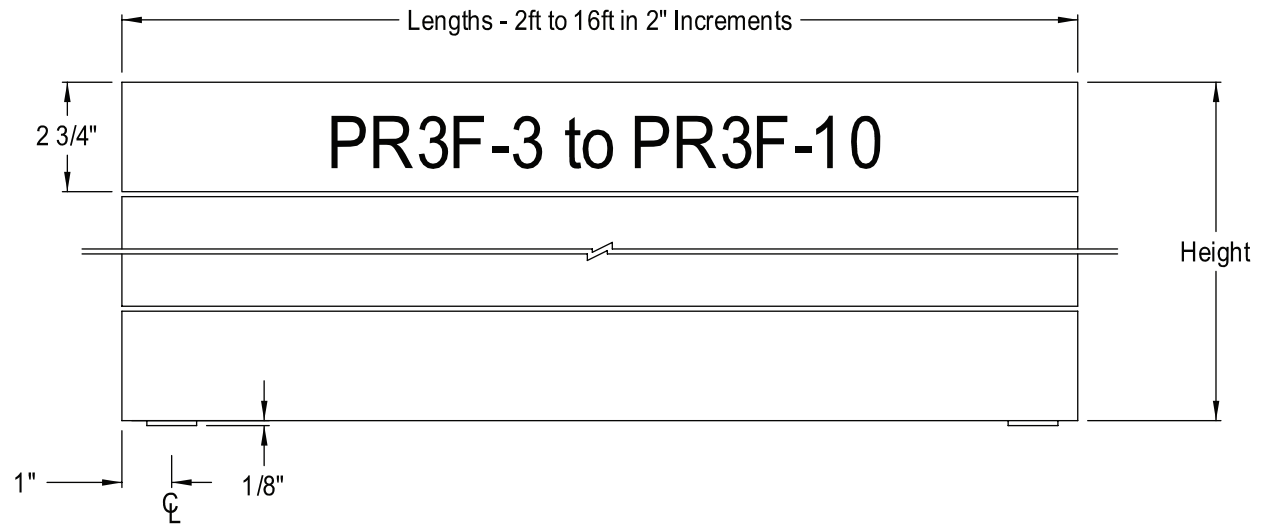
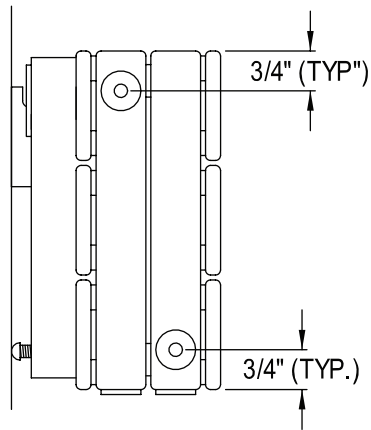
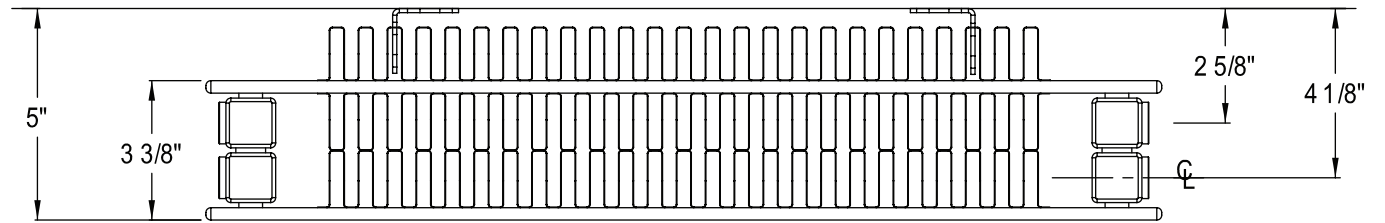
Contractor _____ Representative _____

Architect _____ Location _____

Engineer _____

Rittling Steel Panel Radiator

PR3F-3 to PR3F-10



Panel rows	Height
PR3F-3	8-5/8"
PR3F-4	11-1/2"
PR3F-5	14-3/8"
PR3F-6	17-1/4"
PR3F-7	20-1/4"
PR3F-8	23-1/8"
PR3F-9	26-1/8"
PR3F-10	29"

ALL PR3F UNITS PROVIDED WITH SUPPLY CONNECTION ON FRONT HEADER AND RETURN CONNECTION ON REAR HEADER.
UNIT SHOWN WITH SIDE AND BOTTOM CONNECTIONS FOR DIMENSIONAL PURPOSES ONLY.

PLEASE REFER TO PIPE CONNECTION SHEET FOR CONNECTION LOCATIONS AND SIZES OFFERED.

zehnder Rittling

BUFFALO, NY USA

TITLE

ZR_PanRad_PR3F-3toPR3F-10

DRAWING NUMBER

April 1, 2012

Contractor _____ Representative _____

Architect _____ Location _____

Engineer _____