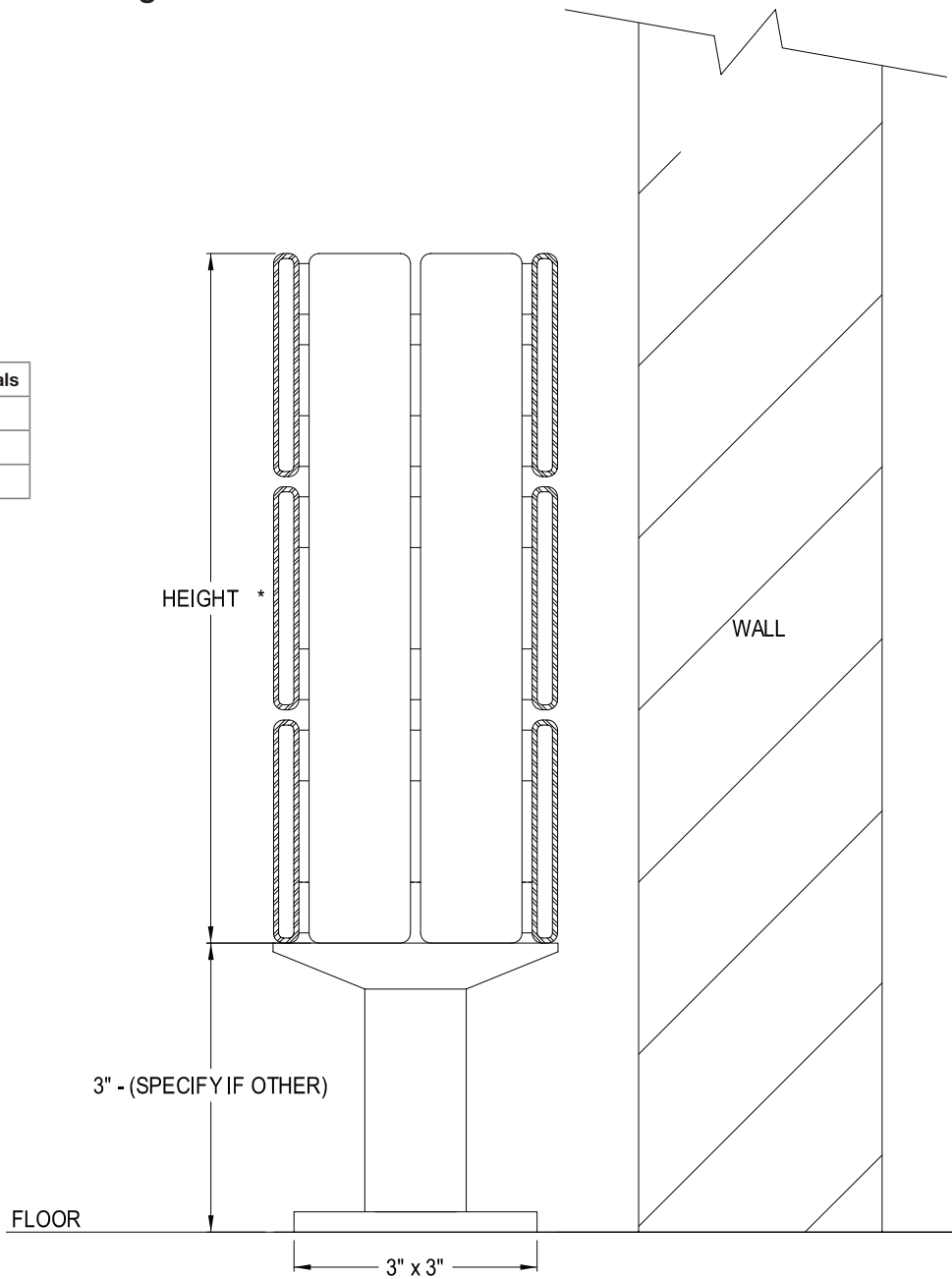


Rittling Steel Panel Radiator

PR2 and PR2F Free Standing Floor Mount

Panel length	Qty. of pedestals
2'0" – 5'0"	2 pieces
5'2"–11'6"	3 pieces
11'8"–16'0"	4 pieces

Panel rows	Height
PR2-1 & PR2F-1	2-3/4"
PR2-2 & PR2F-2	5-3/4"
PR2-3 & PR2F-3	8-5/8"
PR2-4 & PR2F-4	11-1/2"



3" - (SPECIFY IF OTHER)

3" x 3"

* ONLY AVAILABLE UP TO 4 TUBES TALL

Contractor _____

Architect _____

Engineer _____

Representative _____

Location _____

zehnder
Rittling

BUFFALO, NY USA

TITLE

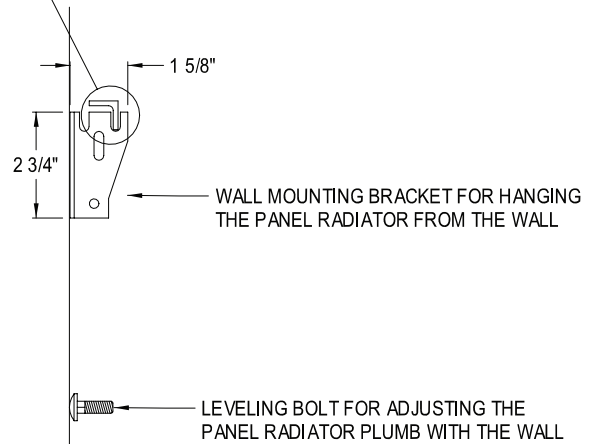
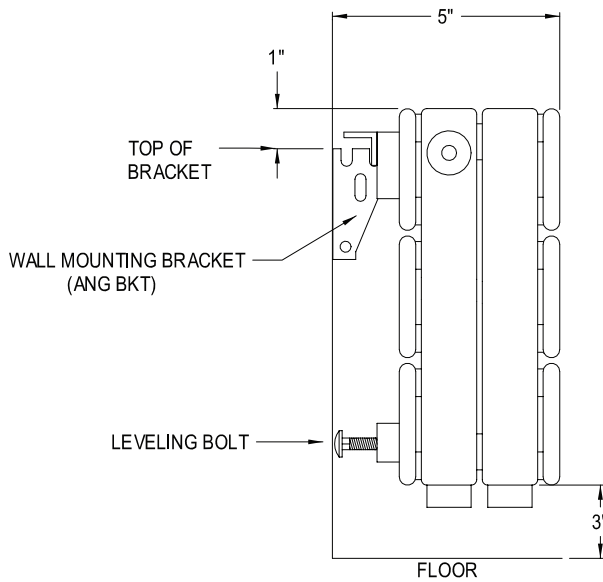
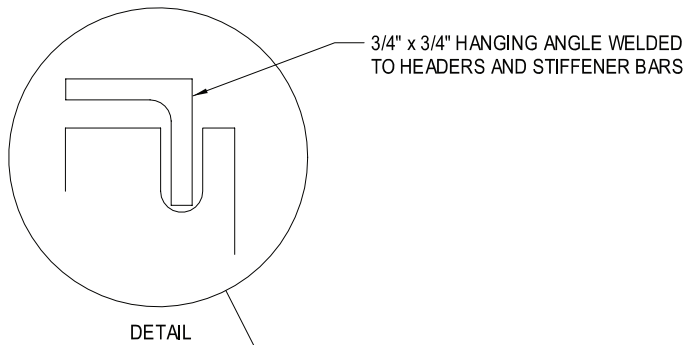
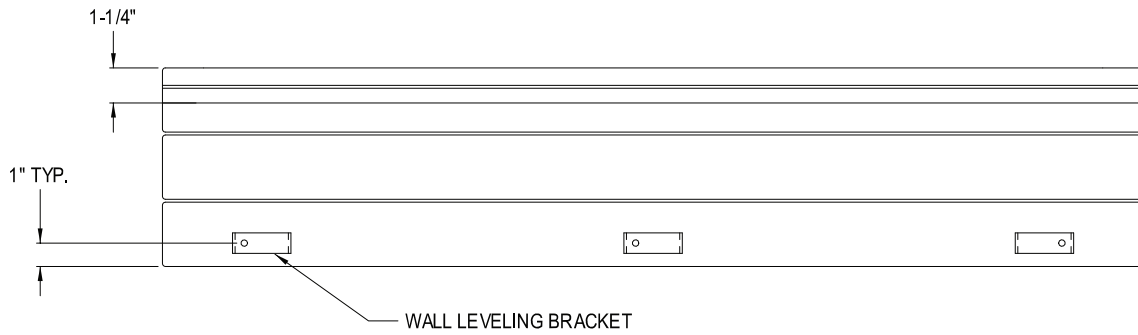
ZR_PanRad_PR2_PR2F_PedMount

DRAWING NUMBER

May 13, 2015

Rittling Steel Panel Radiator

PR2 & PR2F Wall Mount (Back View) Typical Bracket Installation



Contractor _____

Architect _____

Engineer _____

Representative _____

Location _____

zehnder Rittling

BUFFALO, NY USA

TITLE

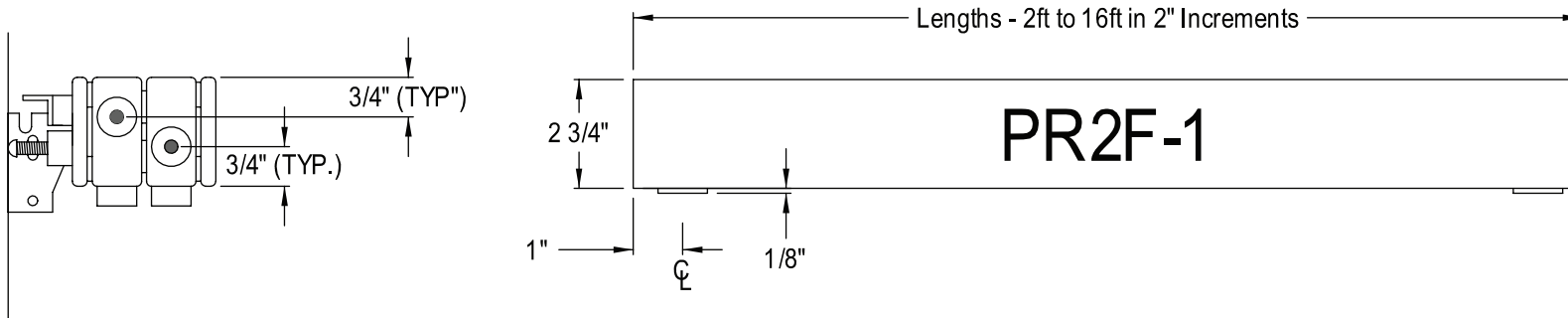
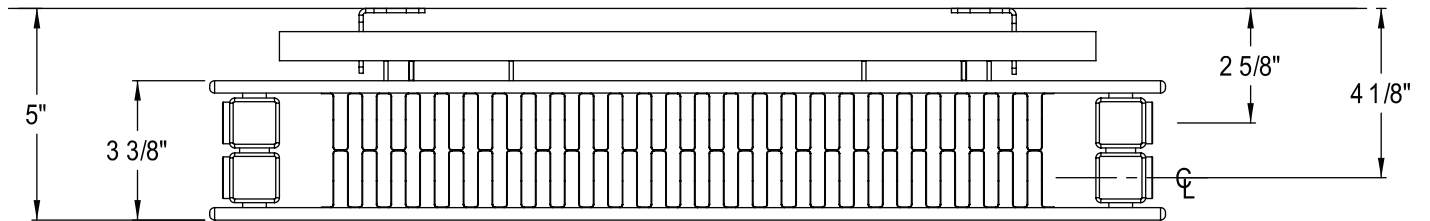
ZR_PanRad_PR2_PR2F_WallMount

DRAWING NUMBER

April 1, 2012

Rittling Steel Panel Radiator


PR2F-1



ALL PR2F UNITS PROVIDED WITH SUPPLY CONNECTION ON FRONT HEADER AND RETURN CONNECTION ON REAR HEADER.

UNIT SHOWN WITH SIDE AND BOTTOM CONNECTIONS FOR DIMENSIONAL PURPOSES ONLY.

PLEASE REFER TO PIPE CONNECTION SHEET FOR CONNECTION LOCATIONS AND SIZES OFFERED.

		BUFFALO, NY USA
TITLE		
ZR_PanRad_PR2F-1		
DRAWING NUMBER		
April 1, 2012		

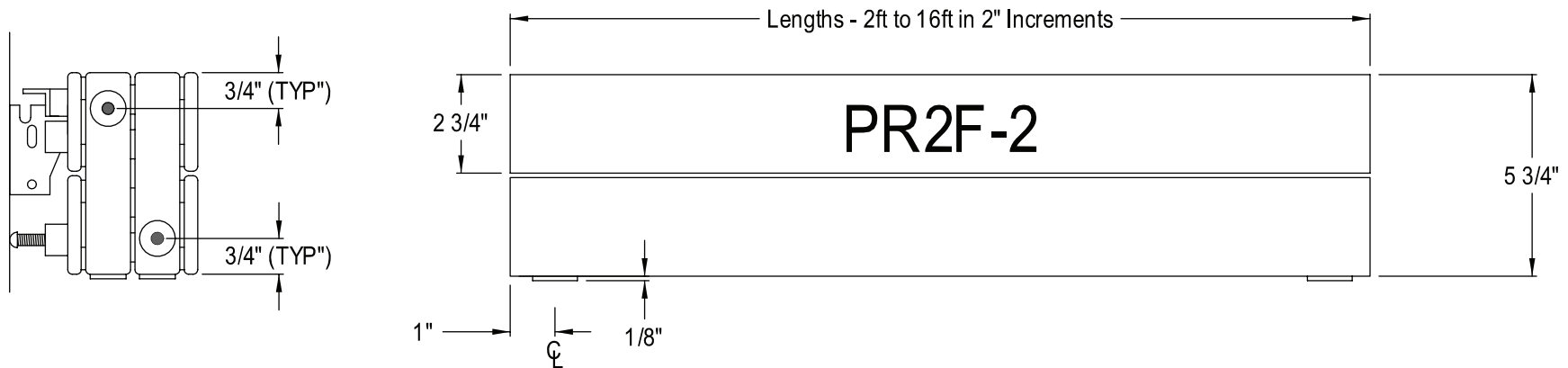
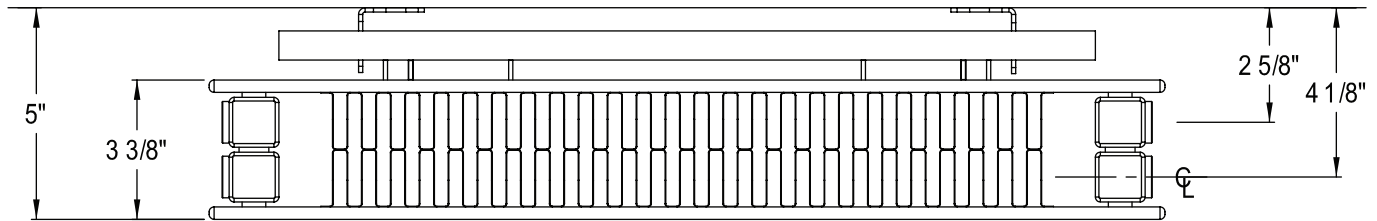
Contractor _____ Representative _____

Architect _____ Location _____

Engineer _____

Rittling Steel Panel Radiator

PR2F-2



ALL PR2F UNITS PROVIDED WITH SUPPLY CONNECTION ON FRONT HEADER AND RETURN CONNECTION ON REAR HEADER.
UNIT SHOWN WITH SIDE AND BOTTOM CONNECTIONS FOR DIMENSIONAL PURPOSES ONLY.

PLEASE REFER TO PIPE CONNECTION SHEET FOR CONNECTION LOCATIONS AND SIZES OFFERED.

zehnder
Rittling

BUFFALO, NY USA

TITLE
ZR_PanRad_PR2F-2

DRAWING NUMBER

April 1, 2012

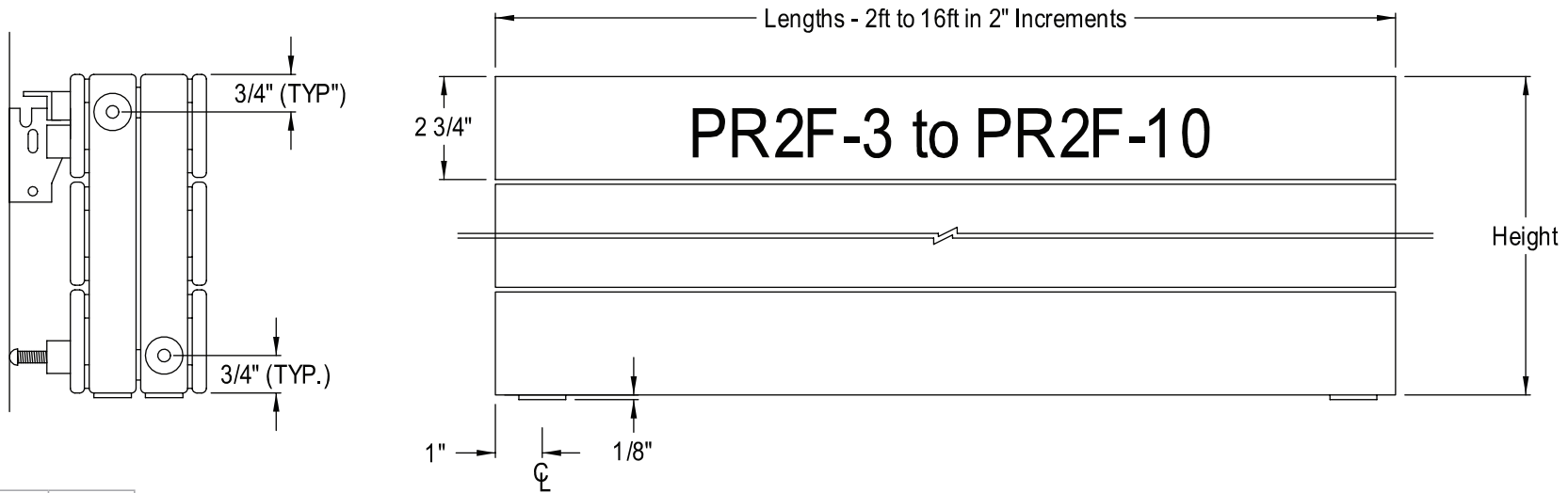
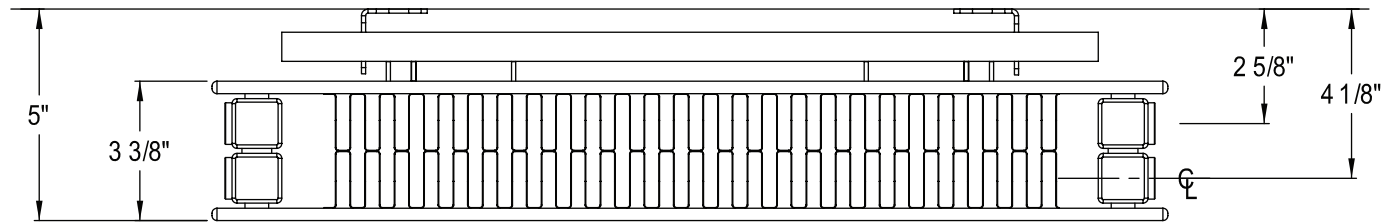
Contractor _____ Representative _____

Architect _____ Location _____

Engineer _____

Rittling Steel Panel Radiator

PR2F-3 to PR2F-10



Panel rows	Height
PR2F-3	8-5/8"
PR2F-4	11-1/2"
PR2F-5	14-3/8"
PR2F-6	17-1/4"
PR2F-7	20-1/4"
PR2F-8	23-1/8"
PR2F-9	26-1/8"
PR2F-10	29"

ALL PR2F UNITS PROVIDED WITH SUPPLY CONNECTION ON FRONT HEADER AND RETURN CONNECTION ON REAR HEADER.
UNIT SHOWN WITH SIDE AND BOTTOM CONNECTIONS FOR DIMENSIONAL PURPOSES ONLY.

PLEASE REFER TO PIPE CONNECTION SHEET FOR CONNECTION LOCATIONS AND SIZES OFFERED.

zehnder Rittling BUFFALO, NY USA

TITLE
ZR_PanRad_PR2F-03toPR2F-10

DRAWING NUMBER

April 1, 2012

Contractor _____ Representative _____

Architect _____ Location _____

Engineer _____