

Rittling Architectural Enclosures

Catalog





zehnder

always the
best climate



Zehnder decorative radiators



Heating and cooling ceiling systems



Comfortable indoor ventilation



Clean air solutions

Always the best climate for

IMPROVED QUALITY OF LIFE

With Zehnder, you will find the perfect climate for any space.

www.zehnder-systems.com



Custom-building innovative hydronic systems for commerce, industry and institutions since 1946

Zehnder Rittling long ago coined the phrase “Reinventing Finned Tube” to describe its commitment to design innovation and its unlimited custom engineering capability. For decades, Zehnder Rittling's constantly expanding inventory and proven ability to control costs without compromising the highest quality standards in manufacturing have made the name synonymous with image, performance, reliability, price, delivery and service.

Zehnder Rittling's diversity and flexibility have freed architects from the constraints of designing around limited catalog selections of standard elements and enclosure configurations. Today Zehnder Rittling engineers can draw on, or modify, any of 42 different hydronic heating elements and 150 standard enclosure models to build any system an architect can draw to tolerances of less than 0.03125 inch, at an exceptionally competitive cost.

For the architects of the future, Zehnder Rittling will continue to advance finned tube technology in still more new directions and develop ever more efficient, cost-effective hydronic heat transfer systems.

Over sixty-five years of quality, innovation and service... and we're just getting warmed up.

	Dimensions and data		
	Bargrille	63	
	Imperial bargrille	65	
	Pedestal	67	
	Sloped top	69	
Overview	2	Damper and return line combinations	71
Models	3	Accessories	
Features	6	BG/IBG	74
Performance ratings		BGHL/IBGHL	75
BG5/IBG5	11	BGVL/IBGVL	76
BGVL5/BGHL5/IBGVL5/IBGHL5	19	PBG5/PIBG5	77
BG3/IBG3	27	PBG10/PIBG10	78
BGVL3/BGHL3/IBGVL3/IBGHL3	30	SBG/SIBG	79
PBG5/PIBG5	33	SBGVL/SIBGVL	80
PBG10/PIBG10	38	Design data	81
SBG5/SIBG5	41	Mechanical specifications	83
SBG3/SIBG3	49	About Zehnder Group	86
SBGVL5/SIBGVL5	52	Warranty	86
SBGVL3/SIBGVL3	60		

Architectural Enclosures

To complement contemporary architectural and interior design, models in these series feature enclosures with clean-cut, unobtrusive linear profiles of classic simplicity and strong horizontal lines. The linear effect is further enhanced by flush, "hairline-crack" joints and completely concealed mounting hardware.

These sturdy, high-output enclosures are available in over 14 standard models, with fronts and tops of 14-, 16- or 18-gauge furniture quality rolled steel. The air outlet is a handsome and rugged extruded aluminum grille that extends the full length of the cover. All models may be modified to suit any hot water or steam heating application and ordered with any of Zehnder Rittling's 42 hydronic heating elements.

The four Architectural wall models can be supplied as either low-profile enclosures, for a narrower depth (3-15/16" vs. 5-3/8") where floor-to-sill clearance is minimal, or as standard dimensioned units.

Pedestal enclosures can be used for floor installations where a wall installation is not possible, often in front of ceiling to floor windows.

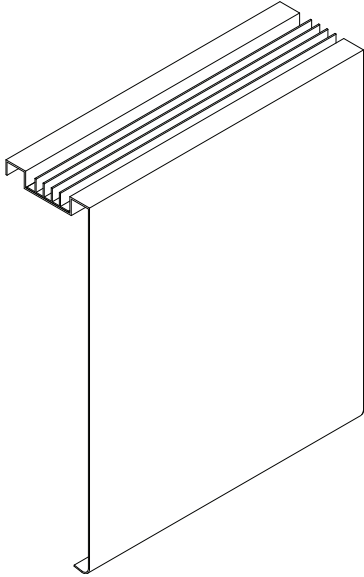
Rittling accessories custom-fit any installation with no metal cutting!

A full line of accessories is available to ensure a professional custom fit, including:

- 3-1/2" end caps
- 12" wide end caps with access door
- Inside and outside corners
- Wall trims: 3-1/2", 5" and 7-1/2"
- Access sections with stamped access door
- Control dampers:
 - ◆ Standard knob-type allen head security
 - ◆ Aluminum slide
- Snap full height back panels
- Snap mounting channels
- Self-gauging, snap fit, expansion brackets
- Slip-in pipe hanger
- Slip-in second row brackets

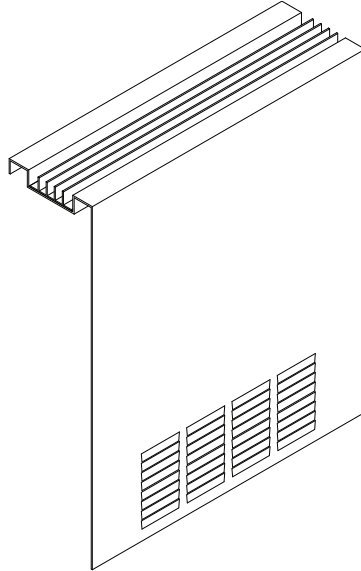
Enclosure models

Flat top



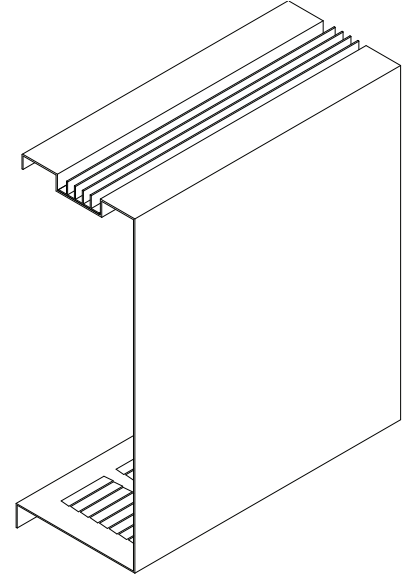
BG:
Flat top, BG outlet

[BG5 Performance data, 11-18](#)
[BG3 Performance data, 27-29](#)
[BG Dimensional data, 63](#)



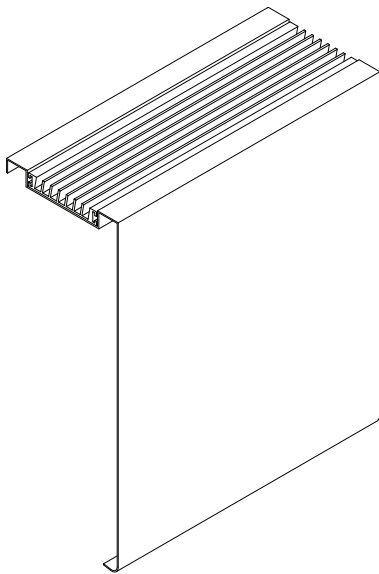
BGVL:
Flat top, BG outlet,
vertical louvered inlet to the floor

[BGVL5 Performance data, 19-26](#)
[BGVL3 Performance data, 30-32](#)
[BGVL Dimensional data, 64](#)



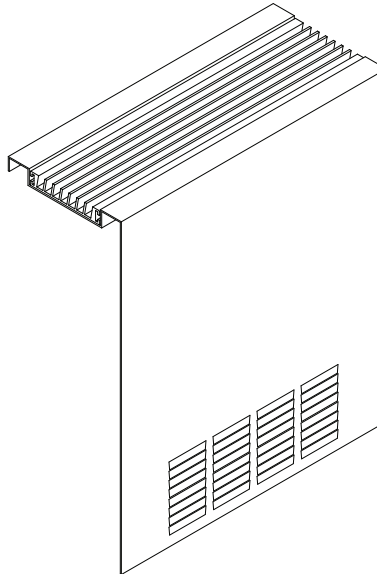
BGHL:
Flat top, BG outlet,
horizontal louvered inlet

[BGHL5 Performance data, 19-26](#)
[BGHL3 Performance data, 30-32](#)
[BGHL Dimensional data, 63](#)



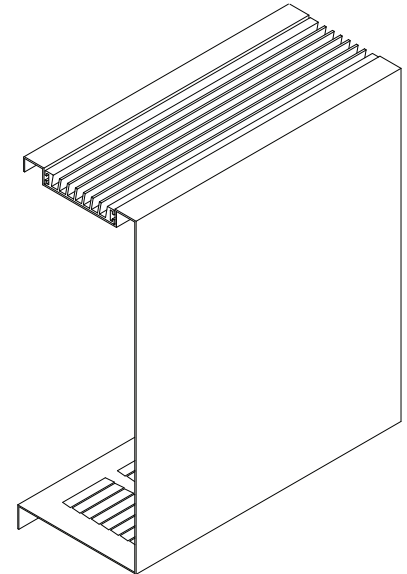
IBG:
Flat top, IBG outlet

[IBG5 Performance data, 11-18](#)
[IBG3 Performance data, 27-29](#)
[IBG Dimensional data, 65](#)



IBGVL:
Flat top, IBG outlet,
vertical louvered inlet to the floor

[IBGVL5 Performance data, 19-26](#)
[IBGVL3 Performance data, 30-32](#)
[IBGVL Dimensional data, 66](#)

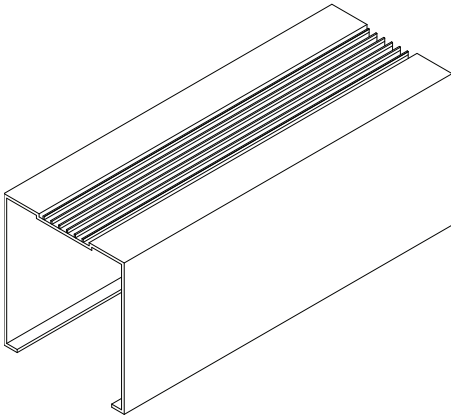


IBGHL:
Flat top, IBG outlet,
horizontal louvered inlet

[IBGHL5 Performance data, 19-26](#)
[IBGHL3 Performance data, 30-32](#)
[IBGHL Dimensional data, 65](#)

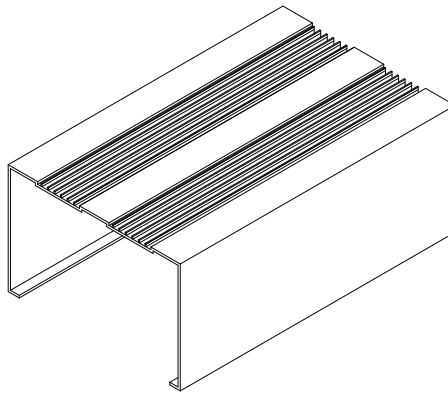
Enclosure models

Pedestal



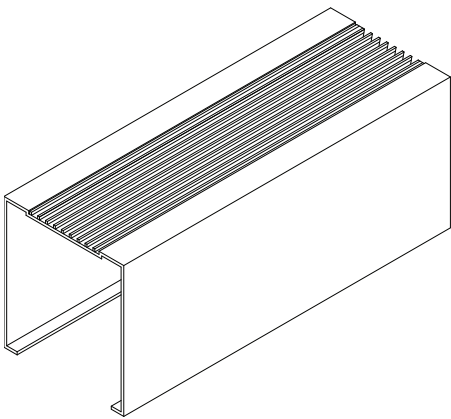
PBG5:
Bargrille outlet, open inlet

[PBG5 Performance data, 33-37](#)
[PBG5 Dimensional data, 67-68](#)



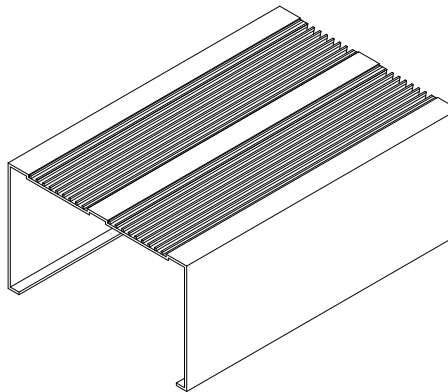
PBG10:
Bargrille outlet, open inlet

[PBG10 Performance data, 38-40](#)
[PBG10 Dimensional data, 67-68](#)



PIBG5:
Imperial bargrille outlet, open inlet

[PIBG5 Performance data, 33-37](#)
[PIBG5 Dimensional data, 67-68](#)

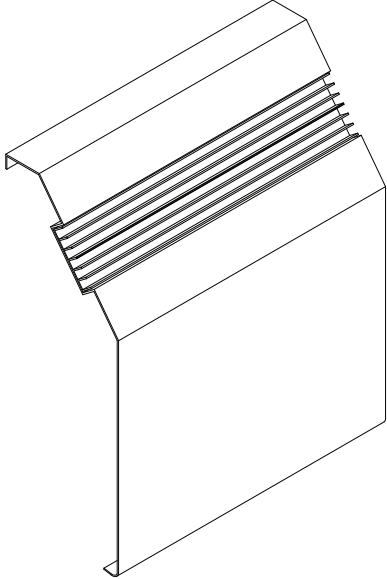


PIBG10:
Imperial bargrille outlet, open inlet

[PIBG10 Performance data, 38-40](#)
[PIBG10 Dimensional data, 67-68](#)

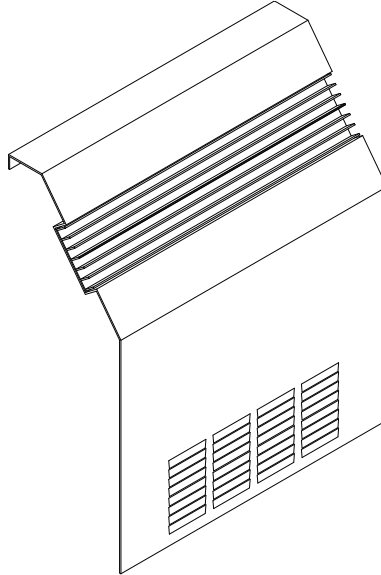
Enclosure models

Sloped top



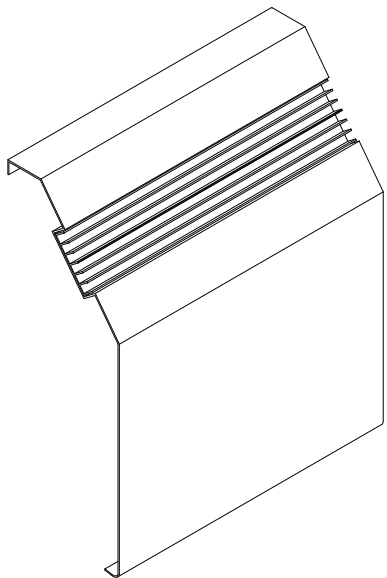
SBG:
Sloped top, BG outlet

[SBG5 Performance data, 41-48](#)
[SBG3 Performance data, 49-51](#)
[SBG Dimensional data, 69](#)



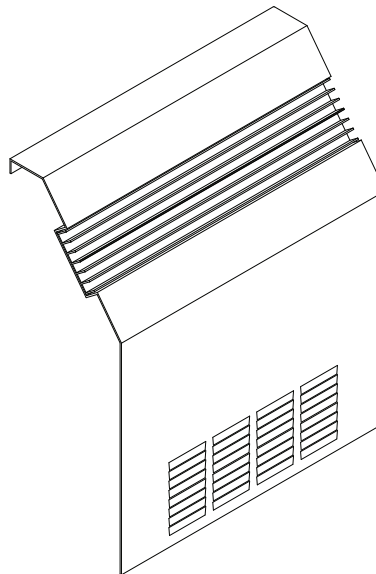
SBGVL:
Sloped top, BG outlet, louvered inlet

[SBGVL5 Performance data, 52-59](#)
[SBGVL3 Performance data, 60-62](#)
[SBGVL Dimensional data, 69](#)



SIBG:
Sloped top, IBG outlet

[SIBG5 Performance data, 41-48](#)
[SIBG3 Performance data, 49-51](#)
[SIBG Dimensional data, 70](#)



SIBGVL:
Sloped top, IBG outlet, louvered inlet

[SIBGVL5 Performance data, 52-59](#)
[SIBGVL3 Performance data, 60-62](#)
[SIBGVL Dimensional data, 70](#)

Standard enclosures

BG5/IBG5, BGVL5/BGHL5, IBGVL5/IBGHL5

Features

Rittling's Standard Bargrille Enclosure provide high output in an attractive architectural design with a depth of 5-3/8".

Enclosure

- 14, 16, 18-gauge cold rolled steel with painted finish
- 1'-8' lengths in 6" increments
- Powder coated finish in decorator colors available
- 14", 20" or 24" standard heights
- Custom heights of 6"-36" available on all models
- Available in 16-gauge or 18-gauge stainless steel

Copper/Aluminum Element

- Tube: 3/4", 1" or 1-1/4"
- Fin: 2-3/4" x 4", 3-1/4" x 3-1/4" or 4-1/4" x 4-1/4"
- 1' to 12' lengths in 6" increments

Steel Element

- Tube: 1", 1-1/4" or 2"
- Fin: 3-1/4" x 3-1/4" or 4-1/4" x 4-1/4"
- 1-1/2' to 10' length in 6" increments

Mounting

- Snap mounting channel
- Optional 20-gauge galvanized steel full back panel (18-gauge available)
- Urethane gasket for air seal available
- 4' or 8' lengths

Hangers

- 16-gauge galvanized steel
- Slide cradle will accommodate 1-3/4" linear expansion for quiet operation
- BG5/IBG5: Self-gauging, snap fit, expansion cradle with positive-locking, bottom-mounting clip provide easy installation as well as security
- Second row bracket, slip-in or wall mounted. Used for multiple tiers of element
- Slip-in pipe hanger or wall pipe hanger for use with bare tube supply and return pipes
- See charts on pages 69-71 for available combinations

Joints

- Internal joggle joiners provide hairline joints without any external fasteners

Damper (optional)

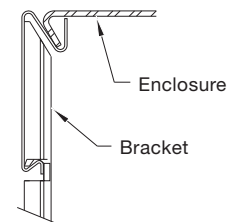
- Durable knob
- Security tamper proof
- Aluminum slide (IBG only)
- See charts on pages 69-71 for availability

Grille

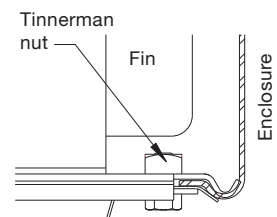
- BG: standard aluminum extrusion, etched finishes, pencil proof
- IBG: heavy-duty aluminum extrusion, R-204 clear anodized finish, 15° grille deflection, pencil proof.



Cutaway view of IBG5 enclosure showing 4-1/4" x 4-1/4" fin configuration



Mounting channel detail



Positive locking bottom mounting clip detail

Low profile enclosures

BG3/IBG3, BGVL3/BGHL3, IBGVL3/IBGHL3

Features

Rittling's Low Profile Bargrille Enclosures provides an attractive architectural design with a slimline appearance and a depth of less than 4".

Enclosure

- 14, 16, 18-gauge cold rolled steel with painted finish
- 1'-8' lengths in 6" increments
- Standard heights
 - ♦ BG3/IBG3: 8", 11" or 14"
 - ♦ BGVL3/BGHL3: 11" or 14"
 - ♦ IBGVL3/IBGHL3: 11" or 14"
- Custom heights available
 - ♦ BG3/IBG3: 6"-36"
 - ♦ BGVL3/BGHL3: 10"-36"
 - ♦ IBGVL3/IBGHL3: 10"-36"
- Powder coated finish in decorator colors available
- Available in 16- and 18-gauge stainless steel

Copper/Aluminum Element

- Tube: 3/4", 1" or 1-1/4"
- Fin: 2-3/4" x 4", 3-1/4" x 3-1/4" or 4-1/4" x 4-1/4"
- 1' to 12' lengths in 6" increments

Steel Element

- Tube: 1", 1-1/4" or 2"
- Fin: 3-1/4" x 3-1/4" or 4-1/4" x 4-1/4"
- 1-1/2' to 10' length in 6" increments

Mounting

- Mounting channel
- Optional 20-gauge galvanized steel full back panel (18-gauge available)
- Urethane gasket for air seal available
- 4' or 8' lengths

Hangers

- 16-gauge galvanized steel
- Slide cradle will accommodate 1-3/4" linear expansion for quiet operation
- BG3/IBG3: Self-gauging, snap fit, expansion cradle with positive-locking, bottom-mounting clip provide easy installation as well as security
- Second row bracket, slip-in or wall mounted. Used for multiple tiers of element
- Slip-in pipe hanger or wall pipe hanger for use with bare tube supply and return pipes
- See charts on pages 69-71 for available combinations

Joints

- Internal joggle joiners provide hairline joints without any external fasteners

Damper (optional)

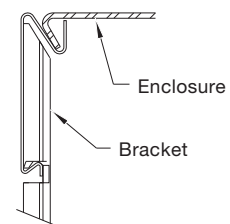
- Durable knob
- Security tamper proof
- Aluminum slide (IBG only)
- See charts on page 69-71 for availability

Grille

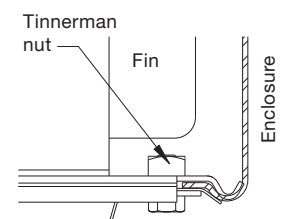
- BG: standard aluminum extrusion, etched finishes, pencil proof
- IBG: heavy-duty aluminum extrusion, R-204 clear anodized finish, 15° grille deflection, pencil proof



Cutaway view of IBG3 enclosure showing 3-1/4" x 3-1/4" fin configuration



Mounting channel detail



Positive locking bottom mounting clip detail

Pedestal enclosures

PBG5/PIBG5, PBG10/PIBG10

Features

Rittling's Pedestal Bargrille Enclosure offers a slimline appearance in a strong floor mounted enclosure.

Enclosure

- 14, 16, 18-gauge cold rolled steel with painted finish
- 1'-8' lengths in 6" increments
- PBG5/PIBG5:
 - ◆ 1 row: 6" high
 - ◆ 1 row and return: 8" high
 - ◆ 2 row: 12" high
- PBG10/PIBG10:
 - ◆ 2 column: 6" high
- Powder coated finish in decorator colors available
- Available in 16-gauge or 18-gauge stainless steel
- 1-row or 2-row high (PBG5/PIBG5), 2-column wide (PBG10/PIBG10) or many other custom configurations available

Copper/Aluminum Element

- Tube: 3/4", 1" or 1-1/4"
- Fin: 2-3/4" x 4", 3-1/4" x 3-1/4" or 4-1/4" x 4-1/4"
- 1' to 12' lengths in 6" increments

Steel Element

- Tube: 1", 1-1/4" or 2"
- Fin: 3-1/4" x 3-1/4" or 4-1/4" x 4-1/4"
- 1-1/2' to 10' length in 6" increments

Mounting

- Pedestal brackets - 2 available style bases:
 - ◆ Adjustable U (standard) 4" +5/8" / -13/16"
 - ◆ Aluminum floor flange (optional), not available on 2 column
- Enclosure mounts to a cradle-type expansion bracket with positive locking bottom mounting clip to provide easy installation and security

Joints

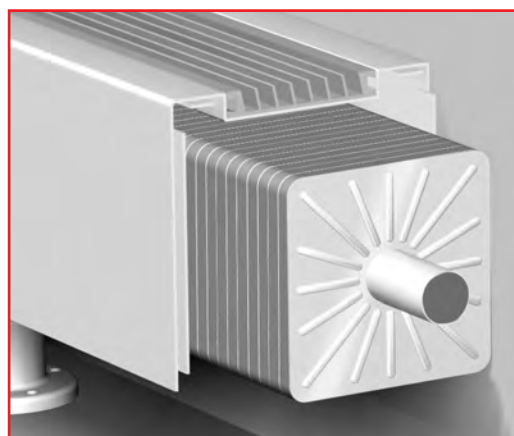
- Internal joggle joiners provide hairline joints without any external fasteners

Damper (optional)

- Aluminum slide (PIBG only)

Grille

- PBG: standard aluminum extrusion, etched finishes, pencil proof
- PIBG: heavy-duty aluminum extrusion, R-204 clear anodized finish, 15° grille deflection, pencil proof



Cutaway view of PIBG enclosure showing 4-1/4" x 4-1/4" fin configuration.

Sloped top enclosures

SBG5/SIBG5, SBGVL5/SIBGVL5

Features

Rittling's Sloped Top Bargrille Enclosure provide strong contemporary styling and high output with a depth of 5-3/8".

Enclosure

- 14, 16, 18-gauge cold rolled steel, phosphatized with painted finish
- 1'-8' lengths in 6" increments
- Powder coated finish in decorator colors available
- Available in 16-gauge and 18-gauge stainless steel
- 20" or 24" standard heights
- Custom heights: 6"-36" available

Copper/Aluminum Element

- Tube: 3/4", 1" or 1-1/4"
- Fin: 2-3/4" x 4", 3-1/4" x 3-1/4" or 4-1/4" x 4-1/4"
- 1' to 12' lengths in 6" increments

Steel Element

- Tube: 1", 1-1/4" or 2"
- Fin: 3-1/4" X 3-1/4" or 4-1/4" X 4-1/4"
- 1-1/2' to 10' length in 6" increments

Mounting

- Snap mounting channel
- Optional 20-gauge galvanized steel full back panel (18-gauge available).
- Urethane gasket for air seal available.
- 4' or 8' lengths

Hangers

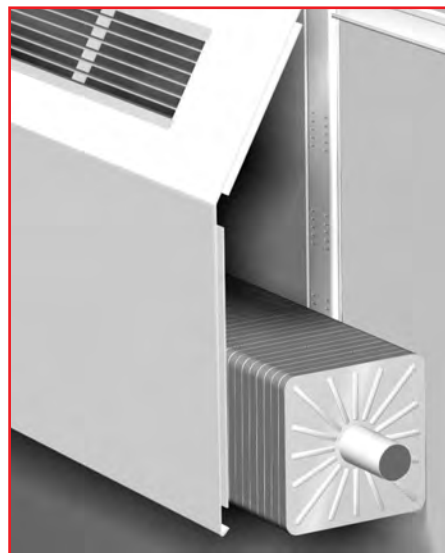
- Self-gauging, snap-fit, expansion cradle with positive-locking, bottom-mounting clip provide easy installation as well as security
- 16-gauge galvanized steel
- Slide cradle will accommodate 1-3/4" linear expansion for quiet operation.
- Second row bracket, slip-in or wall mounted. Used for multiple tiers of element
- Slip-in pipe hanger or wall pipe hanger for use with bare tube supply and return pipes
- See charts on pages 69-71 for available combinations

Joints

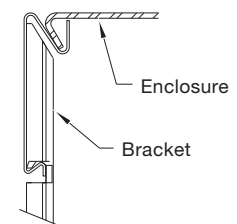
- Internal joggle joiners provide hairline joints without any external fasteners

Grille

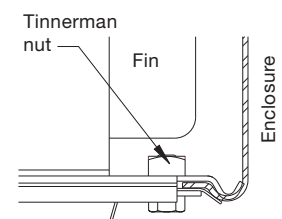
- SBG: standard aluminum extrusion, etched finishes, pencil proof
- SIBG: heavy-duty aluminum extrusion, R-204 clear anodized finish, 15° grille deflection, pencil proof



Cutaway view of SIBG5 enclosure showing 4-1/4" x 4-1/4" fin configuration.



Mounting channel detail



Positive locking bottom mounting clip detail

Sloped top enclosures

SBG3/SIBG3, SBGVL3/SIBGVL3

Features

Rittling's Sloped Top Bargrille Enclosure provide strong contemporary styling and high output with a depth of 3-15/16".

Enclosure

- 14, 16, 18-gauge cold rolled steel, phosphatized with painted finish
- 1'-8' lengths in 6" increments
- Powder coated finish in decorator colors available
- Available in 16-gauge and 18-gauge stainless steel
- 8", 11", 14" standard heights
- Custom heights: 6"-36" available

Copper/Aluminum Element

- Tube: 3/4", 1" or 1-1/4"
- Fin: 2-3/4" x 4", 3-1/4" x 3-1/4" or 4-1/4" x 4-1/4"
- 1 to 12-foot lengths in 6" increments

Steel Element

- Tube: 1", 1-1/4" or 2"
- Fin: 3-1/4" x 3-1/4" or 4-1/4" x 4-1/4"
- 1-1/2' to 10' length in 6" increments

Mounting

- Snap mounting channel
- Optional 20-gauge galvanized steel full back panel (18-gauge available).
- Urethane gasket for air seal available.
- 4' or 8' lengths

Hangers

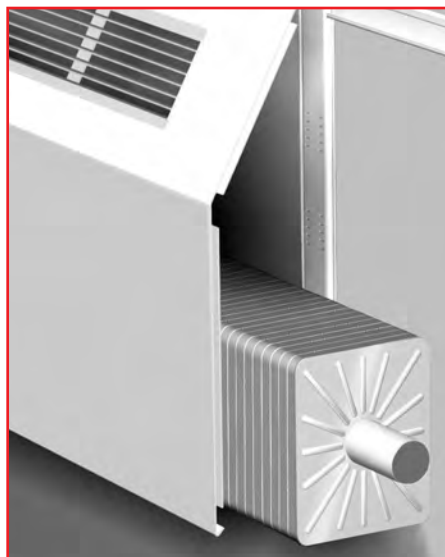
- Self-gauging, snap-fit, expansion cradle with positive-locking, bottom-mounting clip provide easy installation as well as security
- 16-gauge galvanized steel
- Slide cradle will accommodate 1-3/4" linear expansion for quiet operation.
- Second row bracket, slip-in or wall mounted. Used for multiple tiers of element
- Slip-in pipe hanger or wall pipe hanger for use with bare tube supply and return pipes
- See charts on pages 69-71 for available combinations

Joints

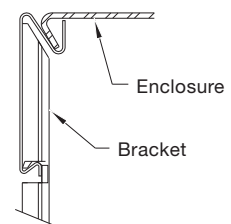
- Internal joggle joiners provide hairline joints without any external fasteners

Grille

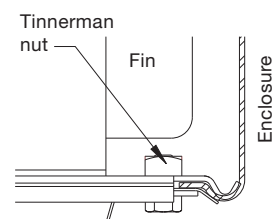
- SBG: standard aluminum extrusion, etched finishes, pencil proof
- SIBG: heavy-duty aluminum extrusion, R-204 clear anodized finish, 15° grille deflection, pencil proof



Cutaway view of SIBG3 enclosure showing 3-1/4" x 3-1/4" fin configuration



Mounting channel detail



Positive locking bottom mounting clip detail

Performance ratings

Model BG5/IBG5; Standard enclosure

In BTU/hr per active (finned) lineal foot of tube at entering air temperature of 65°F

Element	Rows of element (on 6-inch centers)	Enclosure height (in inches)	Recommend-ed minimum installed height (in inches)	EDR* (ft ² / ft)	Steam heat	Hot water heat				
					215°F factor of 1.00	190°F factor of 0.78	180°F factor of 0.69	170°F factor of 0.61	160°F factor of 0.53	
Steel element										
1" Dia. steel	1S-3¼ X 3¼-32	1	14	18	4.00	960	750	660	580	510
		1	20	24	4.10	980	760	680	600	520
		2	20	24	6.20	1490	1160	1030	910	790
		1	24	28	4.30	1030	800	710	630	540
		2	24	28	6.60	1570	1220	1080	960	830
		3	24	28	7.60	1820	1420	1250	1110	960
	1S-3¼ X 3¼-40	1	14	18	4.50	1080	840	740	660	570
		1	20	24	4.80	1150	900	790	700	610
		2	20	24	6.80	1640	1280	1130	1000	870
		1	24	28	5.00	1200	940	830	730	640
		2	24	28	7.10	1710	1330	1180	1040	910
		3	24	28	8.30	1980	1540	1370	1210	820
	1S-3¼ X 3¼-48	1	14	18	5.00	1200	940	830	730	840
		1	20	24	5.60	1350	1050	930	820	710
		2	20	24	7.80	1870	1460	1290	1140	990
		1	24	28	5.80	1400	1090	970	850	740
		2	24	28	7.80	1860	1450	1280	1130	980
		3	24	28	8.90	2130	1660	1470	1300	1130
1" Dia. steel	1S-4¼ X 4¼-32	1	14	18	5.80	1400	1090	970	850	740
		1	20	24	6.10	1450	1130	1000	890	770
		2	20	24	9.00	2150	1630	1480	1310	1140
		1	24	28	6.10	1490	1160	1030	910	790
		2	24	28	9.40	2250	1760	1550	1370	1190
		3	24	28	10.10	2590	2020	1790	1580	1370
	1S-4¼ X 4¼-40	1	14	18	6.60	1570	1220	1080	960	830
		1	20	24	7.10	1690	1310	1170	1030	900
		2	20	24	9.90	2380	1860	1640	1450	1260
		1	24	28	7.20	1730	1350	1200	1060	920
		2	24	28	10.30	2470	1930	1700	1510	1310
		3	24	28	11.80	2840	2220	1960	1730	1510
	1S-4¼ X 4¼-48	1	14	18	7.30	1760	1370	1210	1070	930
		1	20	24	8.20	1960	1530	1350	1200	1040
		2	20	24	10.90	2620	2050	1810	1600	1390
		1	24	28	8.40	2010	1570	1390	1230	1070
		2	24	28	11.30	2710	2110	1870	1650	1440
		3	24	28	13.05	3130	2440	2160	1910	1660

*EDR - Equivalent Direct Radiation area (for steam heat) per active (finned) lineal foot of tube.

Important Rating Information Performance ratings based on:

- Installation at height shown. (Lower heights are not recommended. For greater heights, refer to EZselect selection software.)
- Entering air temperature of 65°F. (For other temperatures, refer to EZselect selection software.)

- Steam at nominal 1 (actual 0.9) psig and 215°F. (For other conditions, refer to EZselect selection software.)
- Water average temperature (°F) shown and velocity of 3 fps or more. (For lower velocities, refer to EZselect selection software.)

Performance ratings

Model BG5/IBG5; Standard enclosure

In BTU/hr per active (finned) lineal foot of tube at entering air temperature of 65°F

Element	Rows of element (on 6-inch centers)	Enclosure height (in inches)	Recommend-ed minimum installed height (in inches)	EDR* (ft ² / ft)	Steam heat	Hot water heat				
					215°F factor of 1.00	190°F factor of 0.78	180°F factor of 0.69	170°F factor of 0.61	160°F factor of 0.53	
Steel element										
1/4" Dia. steel	1/4S-3/4 X 3/4-32	1	14	18	3.90	940	730	650	570	500
		1	20	24	4.00	960	750	660	590	510
		2	20	24	6.10	1460	1140	1010	890	770
		1	24	28	4.20	1010	790	700	620	540
		2	24	28	6.40	1540	1200	1060	940	820
		3	24	28	7.40	1780	1390	1230	1090	940
	1/4S-3/4 X 3/4-40	1	14	18	4.40	1060	830	730	650	560
		1	20	24	4.70	1130	880	780	690	600
		2	20	24	6.70	1610	1260	1110	980	850
		1	24	28	4.90	1180	920	810	720	630
		2	24	28	7.00	1680	1310	1160	1020	890
		3	24	28	8.10	1940	1510	1340	1180	1030
	1/4S-3/4 X 3/4-48	1	14	18	4.90	1180	920	810	720	630
		1	20	24	5.50	1320	1030	910	810	700
		2	20	24	7.40	1780	1390	1230	1090	940
		1	24	28	5.70	1370	1070	950	840	730
		2	24	28	7.60	1820	1420	1260	1110	960
		3	24	28	8.70	2090	1630	1440	1270	1110
1/4" Dia. steel	1/4S-4/4 X 4/4-32	1	14	18	5.70	1370	1070	950	840	730
		1	20	24	5.90	1420	1110	980	870	750
		2	20	24	8.80	2110	1650	1460	1290	1120
		1	24	28	6.10	1460	1140	1010	890	770
		2	24	28	9.20	2210	1720	1520	1350	1170
		3	24	28	10.60	2540	1980	1750	1550	1350
	1/4S-4/4 X 4/4-40	1	14	18	6.40	1540	1200	1060	940	820
		1	20	24	6.90	1660	1290	1150	1010	880
		2	20	24	9.70	2330	1820	1610	1420	1230
		1	24	28	7.10	1700	1330	1170	1040	900
		2	24	28	10.10	2420	1890	1670	1480	1280
		3	24	28	11.60	2780	2170	1920	1700	1470
	1/4S-4/4 X 4/4-48	1	14	18	7.20	1730	1350	1190	1060	920
		1	20	24	8.00	1920	1500	1320	1170	1020
		2	20	24	10.70	2570	2000	1770	1570	1360
		1	24	28	8.20	1970	1540	1360	1200	1040
		2	24	28	11.10	2660	2070	1840	1620	1410
		3	24	28	12.80	3070	2390	2120	1870	1630

*EDR - Equivalent Direct Radiation area (for steam heat) per active (finned) lineal foot of tube.

Important Rating Information Performance ratings based on:

- Installation at height shown. (Lower heights are not recommended. For greater heights, refer to EZselect selection software.)
- Entering air temperature of 65°F. (For other temperatures, refer to EZselect selection software.)

- Steam at nominal 1 (actual 0.9) psig and 215°F. (For other conditions, refer to EZselect selection software.)
- Water average temperature (°F) shown and velocity of 3 fps or more. (For lower velocities, refer to EZselect selection software.)

Performance ratings

Model BG5/IBG5; Standard enclosure

In BTU/hr per active (finned) lineal foot of tube at entering air temperature of 65°F

Element	Rows of element (on 6-inch centers)	Enclosure height (in inches)	Recommend-ed minimum installed height (in inches)	EDR* (ft ² / ft)	Steam heat	Hot water heat				
					215°F factor of 1.00	190°F factor of 0.78	180°F factor of 0.69	170°F factor of 0.61	160°F factor of 0.53	
Steel element										
2" Dia. steel	2S-4¼ X 4¼-32	1	14	18	5.70	1370	1070	950	840	730
		1	20	24	6.00	1430	1120	990	870	760
		2	20	24	8.60	2070	1610	1430	1260	1100
		1	24	28	6.10	1470	1150	1010	900	780
		2	24	28	8.90	2140	1670	1480	1310	1130
	2S-4¼ X 4¼-40	3	24	28	10.20	2450	1910	1690	1490	1300
		1	14	18	6.50	1560	1220	1080	950	830
		1	20	24	6.80	1630	1270	1120	990	860
		2	20	24	9.30	2230	1740	1540	1360	1180
		1	24	28	7.20	1730	1350	1190	1060	920
	2S-4¼ X 4¼-48	2	24	28	9.80	2350	1830	1620	1430	1250
		3	24	28	11.30	2710	2110	1870	1650	1440
		1	14	18	7.40	1780	1390	1230	1090	940
		1	20	24	7.70	1850	1440	1280	1130	980
		2	20	24	10.00	2400	1870	1660	1460	1270
		1	24	28	8.30	1990	1550	1370	1210	1050
		2	24	28	10.60	2540	1980	1750	1550	1350
		3	24	28	12.20	2930	2290	2020	1790	1550

*EDR - Equivalent Direct Radiation area (for steam heat) per active (finned) lineal foot of tube.

Important Rating Information Performance ratings based on:

- Installation at height shown. (Lower heights are not recommended. For greater heights, refer to EZselect selection software.)
- Entering air temperature of 65°F. (For other temperatures, refer to EZselect selection software.)

- Steam at nominal 1 (actual 0.9) psig and 215°F. (For other conditions, refer to EZselect selection software.)
- Water average temperature (°F) shown and velocity of 3 fps or more. (For lower velocities, refer to EZselect selection software.)

Performance ratings

Model BG5/IBG5; Standard enclosure

In BTU/hr per active (finned) lineal foot of tube at entering air temperature of 65°F

Element	Rows of element (on 6-inch centers)	Enclosure height (in inches)	Recommend-ed minimum installed height (in inches)	EDR* (ft ² / ft)	Steam heat	Hot water heat					
					215°F factor of 1.00	190°F factor of 0.78	180°F factor of 0.69	170°F factor of 0.61	160°F factor of 0.53		
Copper finned tubing											
¾" Dia. copper	¾C-2¾ X 4-32	1	14	18	5.30	1280	1000	890	780	680	
		1	20	24	5.90	1400	1090	970	860	740	
		2	20	24	7.70	1860	1450	1280	1130	990	
		1	24	28	6.10	1470	1150	1010	900	780	
		2	24	28	8.50	2050	1600	1410	1250	1090	
	¾C-2¾ X 4-40	3	24	28	9.90	2360	1840	1630	1440	1260	
		1	14	18	5.90	1430	1120	990	880	760	
		1	20	24	6.60	1590	1240	1100	970	840	
		2	20	24	8.00	1930	1510	1330	1180	1020	
		1	24	28	7.00	1690	1320	1170	1030	900	
	¾C-2¾ X 4-48	2	24	28	9.00	2170	1690	1500	1330	1150	
		3	24	28	10.50	2510	1960	1730	1530	1330	
		1	14	18	6.50	1570	1220	1080	960	830	
		1	20	24	7.40	1790	1400	1240	1100	950	
		2	20	24	8.40	2030	1590	1400	1240	1080	
	¾" Dia. copper	¾C-3¼ X 3¼-32	1	24	28	7.80	1880	1470	1300	1150	1000
			2	24	28	9.50	2270	1770	1570	1390	1210
			3	24	28	10.90	2600	2030	1800	1590	1380
1			14	18	5.1	1224	955	845	747	649	
1			20	24	5.4	1296	1011	894	791	687	
¾C-3¼ X 3¼-40		2	20	24	8.4	2010	1568	1387	1226	1065	
		1	24	28	5.6	1350	1053	932	824	716	
		2	24	28	9.2	2218	1730	1531	1353	1176	
		3	24	28	10.7	2573	2007	1775	1569	1364	
		1	14	18	5.9	1422	1109	981	867	754	
¾C-3¼ X 3¼-48		1	20	24	6.5	1548	1207	1068	944	820	
		2	20	24	9.3	2227	1737	1537	1359	1180	
		1	24	28	6.8	1620	1264	1118	988	859	
		2	24	28	10.1	2419	1887	1669	1476	1282	
		3	24	28	11.9	2854	2226	1969	1741	1512	
¾C-3¼ X 3¼-48		1	14	18	6.4	1530	1193	1056	933	811	
		1	20	24	7.4	1764	1376	1217	1076	935	
		2	20	24	11.0	2644	2062	1824	1613	1401	
	1	24	28	7.9	1890	1474	1304	1153	1002		
	2	24	28	11.9	2858	2229	1972	1743	1515		
	3	24	28	14.0	3367	2626	2323	2054	1784		

*EDR - Equivalent Direct Radiation area (for steam heat) per active (finned) lineal foot of tube.

Important Rating Information Performance ratings based on:

- Installation at height shown. (Lower heights are not recommended. For greater heights, refer to EZselect selection software.)
- Entering air temperature of 65°F. (For other temperatures, refer to EZselect selection software.)

- Steam at nominal 1 (actual 0.9) psig and 215°F. (For other conditions, refer to EZselect selection software.)
- Water average temperature (°F) shown and velocity of 3 fps or more. (For lower velocities, refer to EZselect selection software.)

Performance ratings

Model BG5/IBG5; Standard enclosure

In BTU/hr per active (finned) lineal foot of tube at entering air temperature of 65°F

Element	Rows of element (on 6-inch centers)	Enclosure height (in inches)	Recommend-ed minimum installed height (in inches)	EDR* (ft ² / ft)	Steam heat	Hot water heat				
					215°F factor of 1.00	190°F factor of 0.78	180°F factor of 0.69	170°F factor of 0.61	160°F factor of 0.53	
Copper finned tubing										
¾" Dia. copper	¾C-4¼ X 4¼-32	1	14	18	6.80	1620	1300	1120	990	860
		1	20	24	7.20	1720	1340	1190	1050	910
		2	20	24	10.60	2530	1970	1750	1540	1340
		1	24	28	7.50	1800	1400	1240	1100	950
		2	24	28	11.70	2810	2190	1940	1710	1490
		3	24	28	13.40	3210	2500	2210	1960	1700
	¾C-4¼ X 4¼-40	1	14	18	7.90	1900	1482	1310	1160	1010
		1	20	24	8.60	2070	1610	1430	1260	1100
		2	20	24	11.60	2770	2160	1910	1690	1470
		1	24	28	9.00	2160	1680	1490	1320	1150
		2	24	28	12.60	3020	2360	2080	1840	1600
		3	24	28	14.50	3470	2710	2390	2120	1840
	¾C-4¼ X 4¼-48	1	14	18	8.50	2040	1590	1410	1240	1080
		1	20	24	9.80	2340	1830	1610	1430	1240
		2	20	24	13.60	3270	2550	2260	1990	1730
		1	24	28	10.50	2510	1960	1730	1530	1330
		2	24	28	14.70	3520	2750	2430	2150	1870
		3	24	28	16.70	3940	3070	2720	2400	2090
1" Dia. copper	1C-2¾ X 4-32	1	14	18	5.30	1270	990	880	770	670
		1	20	24	5.80	1390	1080	960	850	740
		2	20	24	7.70	1850	1440	1280	1130	980
		1	24	28	6.10	1460	1140	1010	890	770
		2	24	28	8.50	2040	1590	1410	1240	1080
		3	24	28	9.80	2350	1830	1620	1430	1250
	1C-2¾ X 4-40	1	14	18	5.90	1420	1110	980	870	750
		1	20	24	6.60	1580	1230	1090	960	840
		2	20	24	8.00	1920	1500	1320	1170	1020
		1	24	28	7.00	1680	1310	1160	1020	890
		2	24	28	9.00	2160	1680	1490	1320	1140
		3	24	28	10.40	2500	1950	1730	1530	1330
	1C-2¾ X 4-48	1	14	18	6.50	1560	1190	1070	950	830
		1	20	24	7.40	1780	1390	1230	1090	940
		2	20	24	8.40	2020	1580	1390	1230	1070
		1	24	28	7.80	1870	1460	1290	1140	990
		2	24	28	9.40	2260	1760	1560	1380	1200
		3	24	28	10.80	2590	2020	1790	1580	1370

*EDR - Equivalent Direct Radiation area (for steam heat) per active (finned) lineal foot of tube.

Important Rating Information Performance ratings based on:

- Installation at height shown. (Lower heights are not recommended. For greater heights, refer to EZselect selection software.)
- Entering air temperature of 65°F. (For other temperatures, refer to EZselect selection software.)

- Steam at nominal 1 (actual 0.9) psig and 215°F. (For other conditions, refer to EZselect selection software.)
- Water average temperature (°F) shown and velocity of 3 fps or more. (For lower velocities, refer to EZselect selection software.)

Performance ratings

Model BG5/IBG5; Standard enclosure

In BTU/hr per active (finned) lineal foot of tube at entering air temperature of 65°F

Element	Rows of element (on 6-inch centers)	Enclosure height (in inches)	Recommend-ed minimum installed height (in inches)	EDR* (ft ² / ft)	Steam heat	Hot water heat				
					215°F factor of 1.00	190°F factor of 0.78	180°F factor of 0.69	170°F factor of 0.61	160°F factor of 0.53	
Copper finned tubing										
1" Dia. copper	1C-3¼ X 3¼-32	1	14	18	4.9	1171	914	808	714	621
		1	20	24	5.3	1282	1000	884	782	679
		2	20	24	7.0	1688	1317	1165	1030	895
		1	24	28	5.6	1348	1051	930	822	714
		2	24	28	7.8	1864	1454	1286	1137	988
		3	24	28	8.8	2118	1652	1461	1292	1122
	1C-3¼ X 3¼-40	1	14	18	5.2	1249	975	862	762	662
		1	20	24	5.8	1398	1090	964	853	741
		2	20	24	7.2	1739	1357	1200	1061	922
		1	24	28	6.2	1477	1152	1019	901	783
		2	24	28	8.2	1957	1526	1350	1194	1037
		3	24	28	9.1	2195	1712	1515	1339	1163
	1C-3¼ X 3¼-48	1	14	18	6.1	1452	1133	1002	886	770
		1	20	24	6.9	1653	1289	1141	1008	876
		2	20	24	7.4	1778	1387	1227	1084	942
		1	24	28	7.3	1742	1359	1202	1063	923
		2	24	28	8.3	1989	1552	1373	1214	1054
		3	24	28	9.3	2232	1741	1540	1361	1183
1" Dia. copper	1C-4¼ X 4¼-32	1	14	18	6.60	1590	1240	1100	970	850
		1	20	24	7.00	1690	1320	1200	1030	900
		2	20	24	10.40	2480	1930	1710	1510	1310
		1	24	28	7.30	1760	1370	1220	1070	930
		2	24	28	11.50	2750	2150	1900	1680	1460
		3	24	28	13.20	3150	2460	2170	1920	1670
	1C-4¼ X 4¼-40	1	14	18	7.70	1860	1450	1280	1130	990
		1	20	24	8.40	2030	1580	1400	1240	1080
		2	20	24	11.40	2720	2120	1880	1660	1440
		1	24	28	8.80	2120	1650	1460	1290	1120
		2	24	28	12.40	2960	2310	2040	1810	1570
		3	24	28	14.20	3400	2650	2350	2070	1800
	1C-4¼ X 4¼-48	1	14	18	8.30	2000	1560	1380	1220	1060
		1	20	24	9.60	2290	1790	1580	1400	1210
		2	20	24	13.40	3210	2500	2210	1960	1700
		1	24	28	10.30	2460	1920	1700	1500	1300
		2	24	28	14.40	3450	2690	2380	2100	1830
		3	24	28	16.10	3860	3010	2670	2350	2050

*EDR - Equivalent Direct Radiation area (for steam heat) per active (finned) lineal foot of tube.

Important Rating Information Performance ratings based on:

- Installation at height shown. (Lower heights are not recommended. For greater heights, refer to EZselect selection software.)
- Entering air temperature of 65°F. (For other temperatures, refer to EZselect selection software.)

- Steam at nominal 1 (actual 0.9) psig and 215°F. (For other conditions, refer to EZselect selection software.)
- Water average temperature (°F) shown and velocity of 3 fps or more. (For lower velocities, refer to EZselect selection software.)

Performance ratings

Model BG5/IBG5; Standard enclosure

In BTU/hr per active (finned) lineal foot of tube at entering air temperature of 65°F

Element	Rows of element (on 6-inch centers)	Enclosure height (in inches)	Recommended minimum installed height (in inches)	EDR* (ft ² / ft)	Steam heat	Hot water heat					
					215°F factor of 1.00	190°F factor of 0.78	180°F factor of 0.69	170°F factor of 0.61	160°F factor of 0.53		
Copper finned tubing											
1 1/4" Dia. copper	1 1/4"C-2 3/4" X 4-32	1	14	18	5.10	1220	950	840	740	650	
		1	20	24	5.70	1370	1070	950	840	730	
		2	20	24	7.60	1820	1420	1260	1110	960	
		1	24	28	6.00	1440	1120	990	880	760	
		2	24	28	8.40	2020	1580	1390	1230	1070	
	1 1/4"C-2 3/4" X 4-40	3	24	28	9.70	2330	1820	1610	1420	1230	
		1	14	18	5.70	1370	1070	950	840	730	
		1	20	24	6.40	1540	1200	1060	940	820	
		2	20	24	7.90	1900	1480	1310	1160	1010	
		1	24	28	6.90	1660	1290	1150	1010	880	
	1 1/4"C-2 3/4" X 4-48	2	24	28	8.90	2140	1670	1480	1310	1130	
		3	24	28	10.20	2450	1910	1690	1490	1300	
		1	14	18	6.40	1540	1200	1060	940	820	
		1	20	24	7.30	1750	1370	1210	1070	930	
		2	20	24	8.30	1990	1550	1370	1210	1050	
	1 1/4" Dia. copper	1 1/4"C-3 1/4" X 3 1/4"-32	1	24	28	7.70	1850	1440	1280	1130	980
			2	24	28	9.30	2230	1740	1540	1360	1180
			3	24	28	10.70	2570	2000	1770	1510	1360
1			14	18	4.8	1140	890	787	696	604	
1			20	24	5.0	1210	943	835	738	641	
1 1/4"C-3 1/4" X 3 1/4"-40		2	20	24	7.5	1805	1408	1245	1101	956	
		1	24	28	5.3	1261	984	870	769	669	
		2	24	28	8.3	1997	1558	1378	1218	1059	
		3	24	28	9.8	2358	1839	1627	1438	1250	
		1	14	18	5.5	1331	1038	918	812	705	
1 1/4"C-3 1/4" X 3 1/4"-48		1	20	24	6.0	1452	1132	1002	885	769	
		2	20	24	8.5	2034	1587	1403	1241	1078	
		1	24	28	6.3	1521	1186	1049	928	806	
		2	24	28	9.2	2214	1727	1528	1351	1173	
		3	24	28	10.7	2572	2006	1775	1569	1363	
1 1/4"C-3 1/4" X 3 1/4"-48		1	14	18	6.2	1485	1158	1025	906	787	
		1	20	24	7.1	1710	1334	1180	1043	906	
		2	20	24	10.1	2417	1885	1668	1474	1281	
	1	24	28	7.6	1818	1418	1254	1109	964		
	2	24	28	10.7	2572	2006	1775	1569	1363		
	3	24	28	12.3	2958	2307	2041	1804	1568		

*EDR - Equivalent Direct Radiation area (for steam heat) per active (finned) lineal foot of tube.

Important Rating Information Performance ratings based on:

- Installation at height shown. (Lower heights are not recommended. For greater heights, refer to EZselect selection software.)
- Entering air temperature of 65°F. (For other temperatures, refer to EZselect selection software.)

- Steam at nominal 1 (actual 0.9) psig and 215°F. (For other conditions, refer to EZselect selection software.)
- Water average temperature (°F) shown and velocity of 3 fps or more. (For lower velocities, refer to EZselect selection software.)

Performance ratings

Model BG5/IBG5; Standard enclosure

In BTU/hr per active (finned) lineal foot of tube at entering air temperature of 65°F

Element	Rows of element (on 6-inch centers)	Enclosure height (in inches)	Recommend-ed minimum installed height (in inches)	EDR* (ft ² / ft)	Steam heat	Hot water heat				
					215°F factor of 1.00	190°F factor of 0.78	180°F factor of 0.69	170°F factor of 0.61	160°F factor of 0.53	
Copper finned tubing										
1 1/4" Dia. copper	1 1/4C-4 1/4 X 4 1/4-32	1	14	18	6.60	1580	1230	1090	960	840
		1	20	24	7.00	1680	1310	1160	1020	890
		2	20	24	10.30	2470	1920	1700	1510	1310
		1	24	28	7.30	1750	1360	1200	1070	930
		2	24	28	11.40	2740	2140	1890	1670	1450
	1 1/4C-4 1/4 X 4 1/4-40	3	24	28	13.10	3140	2450	2170	1920	1660
		1	14	18	7.70	1850	1440	1280	1130	980
		1	20	24	8.40	2020	1570	1390	1230	1070
		2	20	24	11.30	2710	2110	1870	1650	1440
		1	24	28	8.80	2110	1640	1460	1290	1120
	1 1/4C-4 1/4 X 4 1/4-48	2	24	28	12.30	2950	2300	2040	1800	1560
		3	24	28	14.10	3380	2640	2330	2060	1790
		1	14	18	8.25	1980	1540	1370	1210	1050
		1	20	24	9.50	2280	1780	1570	1390	1210
		2	20	24	13.25	3180	2480	2190	1940	1690
	1 1/4C-4 1/4 X 4 1/4-48	1	24	28	10.10	2410	1880	1660	1470	1280
		2	24	28	14.10	3380	2640	2332	2060	1790
		3	24	28	15.80	3780	2950	2610	2310	2000

*EDR - Equivalent Direct Radiation area (for steam heat) per active (finned) lineal foot of tube.

Important Rating Information Performance ratings based on:

- Installation at height shown. (Lower heights are not recommended. For greater heights, refer to EZselect selection software.)
- Entering air temperature of 65°F. (For other temperatures, refer to EZselect selection software.)

- Steam at nominal 1 (actual 0.9) psig and 215°F. (For other conditions, refer to EZselect selection software.)
- Water average temperature (°F) shown and velocity of 3 fps or more. (For lower velocities, refer to EZselect selection software.)

Performance ratings

Model BGV L5/BGHL5/IBGV L5/IBGHL5; Standard enclosure

In BTU/hr per active (finned) lineal foot of tube at entering air temperature of 65°F

Element	Rows of element (on 6-inch centers)	Enclosure height (in inches)	Recommend- ed minimum installed height (in inches)	EDR* (ft ² / ft)	Steam heat	Hot water heat				
					215°F factor of 1.00	190°F factor of 0.78	180°F factor of 0.69	170°F factor of 0.61	160°F factor of 0.53	
Steel finned tubing										
1" Dia. steel	1S-3¼ X 3¼-32	1	14	18	3.50	840	660	580	510	450
		1	20	24	3.57	858	670	590	520	450
		1	24	28	3.76	901	700	620	550	480
		2	20	24	5.43	1304	1020	900	800	690
		2	24	28	5.72	1374	1070	950	840	730
		3	24	28	6.64	1593	1240	1100	970	840
	1S-3¼ X 3¼-40	1	14	18	3.94	945	740	650	580	500
		1	20	24	4.19	1006	780	690	610	530
		1	24	28	4.38	1050	820	720	640	560
		2	20	24	5.98	1435	1120	990	880	760
		2	24	28	6.23	1496	1170	1030	910	790
		3	24	28	7.22	1733	1350	1200	1060	920
	1S-3¼ X 3¼-48	1	14	18	4.38	1050	820	720	640	560
		1	20	24	4.92	1181	920	820	720	630
		1	24	28	5.10	1225	960	850	750	650
		2	20	24	6.82	1636	1280	1130	1000	870
		2	24	28	6.78	1628	1270	1120	990	860
		3	24	28	7.77	1864	1450	1290	1140	990
1" Dia. steel	1S-4¼ X 4¼-32	1	14	18	5.10	1225	960	850	750	650
		1	20	24	5.29	1269	990	880	770	670
		1	24	28	5.43	1304	1020	900	800	690
		2	20	24	7.84	1881	1470	1300	1150	1000
		2	24	28	8.20	1969	1540	1360	1200	1040
		3	24	28	9.44	2266	1770	1560	1380	1200
	1S-4¼ X 4¼-40	1	14	18	5.72	1374	1070	950	840	730
		1	20	24	6.16	1479	1150	1020	900	780
		1	24	28	6.31	1514	1180	1040	920	800
		2	20	24	8.68	2083	1620	1440	1270	1100
		2	24	28	9.01	2161	1690	1490	1320	1150
		3	24	28	10.35	2485	1940	1710	1520	1320
	1S-4¼ X 4¼-48	1	14	18	6.42	1540	1200	1060	940	820
		1	20	24	7.15	1715	1340	1180	1050	910
		1	24	28	7.33	1759	1370	1210	1070	930
		2	20	24	9.55	2293	1790	1580	1400	1220
		2	24	28	9.88	2371	1850	1640	1450	1260
		3	24	28	11.41	2739	2140	1890	1670	1450

*EDR - Equivalent Direct Radiation area (for steam heat) per active (finned) lineal foot of tube.

Important Rating Information Performance ratings based on:

- Installation at height shown. (Lower heights are not recommended. For greater heights, refer to EZselect selection software.)
- Entering air temperature of 65°F. (For other temperatures, refer to EZselect selection software.)

- Steam at nominal 1 (actual 0.9) psig and 215°F. (For other conditions, refer to EZselect selection software.)
- Water average temperature (°F) shown and velocity of 3 fps or more. (For lower velocities, refer to EZselect selection software.)

Model BGV L5/BGHL5/IBGV L5/IBGHL5;
Standard enclosure

Performance ratings

In BTU/hr per active (finned) lineal foot of tube at entering air temperature of 65°F

Element	Rows of element (on 6-inch centers)	Enclosure height (in inches)	Recommend-ed minimum installed height (in inches)	EDR* (ft ² / ft)	Steam heat	Hot water heat				
					215°F factor of 1.00	190°F factor of 0.78	180°F factor of 0.69	170°F factor of 0.61	160°F factor of 0.53	
Steel finned tubing										
1 1/4" Dia. steel	1 1/4S-3 1/4 X 3 1/4-32	1	14	18	3.43	823	640	570	500	440
		1	20	24	3.50	840	660	580	510	450
		1	24	28	3.68	884	690	610	540	470
		2	20	24	5.32	1278	1000	880	780	680
		2	24	28	5.61	1348	1050	930	820	710
		3	24	28	6.49	1558	1210	1070	950	830
	1 1/4S-3 1/4 X 3 1/4-40	1	14	18	3.86	928	720	640	570	490
		1	20	24	4.12	989	770	680	600	520
		1	24	28	4.30	1033	810	710	630	550
		2	20	24	5.87	1409	1100	970	860	750
		2	24	28	6.13	1470	1150	1010	900	780
		3	24	28	7.07	1698	1320	1170	1040	900
	1 1/4S-3 1/4 X 3 1/4-48	1	14	18	4.30	1033	810	710	630	550
		1	20	24	4.81	1155	900	800	700	610
		1	24	28	4.99	1199	940	830	730	640
		2	20	24	6.49	1558	1210	1070	950	830
		2	24	28	6.64	1593	1240	1100	970	840
		3	24	28	7.62	1829	1430	1260	1120	970
1 1/4" Dia. steel	1 1/4S-4 1/4 X 4 1/4-32	1	14	18	4.99	1199	940	830	730	640
		1	20	24	5.18	1243	970	860	760	660
		1	24	28	5.32	1278	1000	880	780	680
		2	20	24	7.69	1846	1440	1270	1130	980
		2	24	28	8.06	1934	1510	1330	1180	1020
		3	24	28	9.26	2223	1730	1530	1360	1180
	1 1/4S-4 1/4 X 4 1/4-40	1	14	18	5.61	1348	1050	930	820	710
		1	20	24	6.05	1453	1130	1000	890	770
		1	24	28	6.20	1488	1160	1030	910	790
		2	20	24	8.49	2039	1590	1410	1240	1080
		2	24	28	8.82	2118	1650	1460	1290	1120
		3	24	28	10.14	2433	1900	1680	1480	1290
	1 1/4S-4 1/4 X 4 1/4-48	1	14	18	6.31	1514	1180	1040	920	800
		1	20	24	7.00	1680	1310	1160	1020	890
		1	24	28	7.18	1724	1340	1190	1050	910
		2	20	24	9.37	2249	1750	1550	1370	1190
		2	24	28	9.70	2328	1820	1610	1420	1230
		3	24	28	11.19	2686	2100	1850	1640	1420

*EDR - Equivalent Direct Radiation area (for steam heat) per active (finned) lineal foot of tube.

Important Rating Information Performance ratings based on:

- Installation at height shown. (Lower heights are not recommended. For greater heights, refer to EZselect selection software.)
- Entering air temperature of 65°F. (For other temperatures, refer to EZselect selection software.)

- Steam at nominal 1 (actual 0.9) psig and 215°F. (For other conditions, refer to EZselect selection software.)
- Water average temperature (°F) shown and velocity of 3 fps or more. (For lower velocities, refer to EZselect selection software.)

Performance ratings

Model BGV L5/BGHL5/IBGV L5/IBGHL5; Standard enclosure

In BTU/hr per active (finned) lineal foot of tube at entering air temperature of 65°F

Element	Rows of element (on 6-inch centers)	Enclosure height (in inches)	Recommend- ed minimum installed height (in inches)	EDR* (ft ² / ft)	Steam heat	Hot water heat				
					215°F factor of 1.00	190°F factor of 0.78	180°F factor of 0.69	170°F factor of 0.61	160°F factor of 0.53	
Steel finned tubing										
2" Dia. steel	2S-4¼ X 4¼-32	1	14	18	4.99	1199	940	830	730	640
		1	20	24	5.21	1251	980	860	760	660
		1	24	28	5.36	1286	1000	890	780	680
		2	20	24	7.55	1811	1410	1250	1100	960
		2	24	28	7.80	1873	1460	1290	1140	990
		3	24	28	8.93	2144	1670	1480	1310	1140
	2S-4¼ X 4¼-40	1	14	18	5.69	1365	1060	940	830	720
		1	20	24	5.94	1426	1110	980	870	760
		1	24	28	6.31	1514	1180	1040	920	800
		2	20	24	8.13	1951	1520	1350	1190	1030
		2	24	28	8.57	2056	1600	1420	1250	1090
		3	24	28	9.88	2371	1850	1640	1450	1260
	2S-4¼ X 4¼-48	1	14	18	6.49	1558	1210	1070	950	830
		1	20	24	6.74	1619	1260	1120	990	860
		1	24	28	7.26	1741	1360	1200	1060	920
		2	20	24	8.75	2100	1640	1450	1280	1110
		2	24	28	9.26	2223	1730	1530	1360	1180
		3	24	28	10.68	2564	2000	1770	1560	1360

*EDR - Equivalent Direct Radiation area (for steam heat) per active (finned) lineal foot of tube.

Important Rating Information Performance ratings based on:

- Installation at height shown. (Lower heights are not recommended. For greater heights, refer to EZselect selection software.)
- Entering air temperature of 65°F. (For other temperatures, refer to EZselect selection software.)

- Steam at nominal 1 (actual 0.9) psig and 215°F. (For other conditions, refer to EZselect selection software.)
- Water average temperature (°F) shown and velocity of 3 fps or more. (For lower velocities, refer to EZselect selection software.)

Model BGV L5/BGHL5/IBGV L5/IBGHL5;
Standard enclosure

Performance ratings

In BTU/hr per active (finned) lineal foot of tube at entering air temperature of 65°F

Element	Rows of element (on 6-inch centers)	Enclosure height (in inches)	Recommend-ed minimum installed height (in inches)	EDR* (ft ² / ft)	Steam heat	Hot water heat				
					215°F factor of 1.00	190°F factor of 0.78	180°F factor of 0.69	170°F factor of 0.61	160°F factor of 0.53	
Copper finned tubing										
3/4" Dia. copper	3/4C-23/4 X 4-32	1	14	18	4.67	1120	870	770	680	590
		1	20	24	5.10	1225	960	850	750	650
		1	24	28	5.36	1287	1000	890	780	680
		2	20	24	6.78	1628	1270	1120	990	860
		2	24	28	7.47	1794	1400	1240	1090	950
		3	24	28	8.60	2065	1610	1420	1260	1090
	3/4C-23/4 X 4-40	1	14	18	5.21	1251	980	860	760	660
		1	20	24	5.80	1391	1090	960	850	740
		1	24	28	6.16	1479	1150	1020	900	780
		2	20	24	7.04	1689	1320	1170	1030	900
		2	24	28	7.91	1899	1480	1310	1160	1010
		3	24	28	9.15	2196	1710	1520	1340	1160
	3/4C-23/4 X 4-48	1	14	18	5.72	1374	1070	950	840	730
		1	20	24	6.53	1566	1220	1080	960	830
		1	24	28	6.85	1645	1280	1140	1000	870
		2	20	24	7.40	1776	1390	1230	1080	940
		2	24	28	8.28	1986	1550	1370	1210	1050
		3	24	28	9.48	2275	1770	1570	1390	1210
3/4" Dia. copper	3/4C-31/4 X 31/4-32	1	14	18	4.5	1071	835	739	653	568
		1	20	24	4.7	1134	885	782	692	601
		1	24	28	7.3	1759	1372	1213	1073	932
		2	20	24	4.9	1181	921	815	721	626
		2	24	28	8.1	1941	1514	1339	1184	1029
		3	24	28	9.4	2251	1756	1553	1373	1193
	3/4C-31/4 X 31/4-40	1	14	18	5.2	1244	971	859	759	659
		1	20	24	5.6	1355	1057	935	826	718
		1	24	28	8.1	1949	1520	1345	1189	1033
		2	20	24	5.9	1418	1106	978	865	751
		2	24	28	8.8	2117	1651	1461	1291	1122
		3	24	28	10.4	2497	1948	1723	1523	1323
	3/4C-31/4 X 31/4-48	1	14	18	5.6	1339	1044	924	817	710
		1	20	24	6.4	1544	1204	1065	942	818
		1	24	28	9.6	2313	1804	1596	1411	1226
		2	20	24	6.9	1654	1290	1141	1009	876
		2	24	28	10.4	2500	1950	1725	1525	1325
		3	24	28	12.3	2946	2298	2033	1797	1561

*EDR - Equivalent Direct Radiation area (for steam heat) per active (finned) lineal foot of tube.

Important Rating Information Performance ratings based on:

- Installation at height shown. (Lower heights are not recommended. For greater heights, refer to EZselect selection software.)
- Entering air temperature of 65°F. (For other temperatures, refer to EZselect selection software.)

- Steam at nominal 1 (actual 0.9) psig and 215°F. (For other conditions, refer to EZselect selection software.)
- Water average temperature (°F) shown and velocity of 3 fps or more. (For lower velocities, refer to EZselect selection software.)

Performance ratings

Model BGV L5/BGHL5/IBGV L5/IBGHL5; Standard enclosure

In BTU/hr per active (finned) lineal foot of tube at entering air temperature of 65°F

Element	Rows of element (on 6-inch centers)	Enclosure height (in inches)	Recommend- ed minimum installed height (in inches)	EDR* (ft ² / ft)	Steam heat	Hot water heat				
					215°F factor of 1.00	190°F factor of 0.78	180°F factor of 0.69	170°F factor of 0.61	160°F factor of 0.53	
Copper finned tubing										
¾" Dia. copper	¾C-4¼ X 4¼-32	1	14	18	5.91	1418	1110	980	860	750
		1	20	24	6.27	1505	1170	1040	920	800
		1	24	28	6.56	1575	1230	1090	960	830
		2	20	24	9.22	2214	1730	1530	1350	1170
		2	24	28	10.24	2459	1920	1700	1500	1300
		3	24	28	11.70	2809	2190	1940	1710	1490
	¾C-4¼ X 4¼-40	1	14	18	6.93	1663	1300	1150	1010	880
		1	20	24	7.55	1811	1410	1250	1100	960
		1	24	28	7.88	1890	1470	1300	1150	1000
		2	20	24	10.10	2424	1890	1670	1480	1280
		2	24	28	11.01	2643	2060	1820	1610	1400
		3	24	28	12.65	3037	2370	2100	1850	1610
	¾C-4¼ X 4¼-48	1	14	18	7.44	1785	1390	1230	1090	950
		1	20	24	8.53	2048	1600	1410	1250	1090
		1	24	28	9.15	2197	1710	1520	1340	1160
		2	20	24	11.92	2861	2230	1970	1750	1520
		2	24	28	12.83	3080	2400	2130	1880	1630
		3	24	28	14.36	3448	2690	2380	2100	1830
1" Dia. copper	1C-2¾ X 4-32	1	14	18	4.63	1111	870	770	680	590
		1	20	24	5.07	1216	950	840	740	640
		1	24	28	5.32	1278	1000	880	780	680
		2	20	24	6.74	1619	1260	1120	990	860
		2	24	28	7.44	1785	1390	1230	1090	950
		3	24	28	8.57	2056	1600	1420	1250	1090
	1C-2¾ X 4-40	1	14	18	5.18	1243	970	860	760	660
		1	20	24	5.76	1383	1080	950	840	730
		1	24	28	6.13	1470	1150	1010	900	780
		2	20	24	7.00	1680	1310	1160	1020	890
		2	24	28	7.88	1890	1470	1300	1150	1000
		3	24	28	9.11	2188	1710	1510	1330	1160
	1C-2¾ X 4-48	1	14	18	5.69	1365	1060	940	830	720
		1	20	24	6.49	1558	1210	1070	950	830
		1	24	28	6.82	1636	1280	1130	1000	870
		2	20	24	7.36	1768	1380	1220	1080	940
		2	24	28	8.24	1978	1540	1360	1210	1050
		3	24	28	9.44	2266	1770	1560	1380	1200

*EDR - Equivalent Direct Radiation area (for steam heat) per active (finned) lineal foot of tube.

Important Rating Information Performance ratings based on:

- Installation at height shown. (Lower heights are not recommended. For greater heights, refer to EZselect selection software.)
- Entering air temperature of 65°F. (For other temperatures, refer to EZselect selection software.)

- Steam at nominal 1 (actual 0.9) psig and 215°F. (For other conditions, refer to EZselect selection software.)
- Water average temperature (°F) shown and velocity of 3 fps or more. (For lower velocities, refer to EZselect selection software.)

Model BGV L5/BGHL5/IBGV L5/IBGHL5;
Standard enclosure

Performance ratings

In BTU/hr per active (finned) lineal foot of tube at entering air temperature of 65°F

Element	Rows of element (on 6-inch centers)	Enclosure height (in inches)	Recommend- ed minimum installed height (in inches)	EDR* (ft ² / ft)	Steam heat	Hot water heat				
					215°F factor of 1.00	190°F factor of 0.78	180°F factor of 0.69	170°F factor of 0.61	160°F factor of 0.53	
Copper finned tubing										
1" Dia. copper	1C-3¼ X 3¼-2	1	14	18	4.3	1025	799	707	625	543
		1	20	24	4.7	1122	875	774	684	594
		1	24	28	6.2	1477	1152	1019	901	783
		2	20	24	4.9	1180	920	814	720	625
		2	24	28	6.8	1631	1272	1125	995	864
		3	24	28	7.7	1853	1445	1279	1130	982
	1C-3¼ X 3¼-40	1	14	18	4.6	1093	853	754	667	579
		1	20	24	5.1	1223	954	844	746	648
		1	24	28	6.3	1522	1187	1050	928	807
		2	20	24	5.4	1293	1008	892	789	685
		2	24	28	7.1	1712	1336	1181	1044	907
		3	24	28	8.0	1921	1498	1325	1172	1018
	1C-3¼ X 3¼-48	1	14	18	5.3	1271	991	877	775	673
		1	20	24	6.0	1446	1128	998	882	767
		1	24	28	6.5	1556	1213	1073	949	824
		2	20	24	6.4	1525	1189	1052	930	808
		2	24	28	7.3	1741	1358	1201	1062	923
		3	24	28	8.1	1953	1523	1347	1191	1035
1" Dia. copper	1C-4¼ X 4¼-32	1	14	18	5.80	1391	1090	960	850	740
		1	20	24	6.16	1479	1150	1020	900	780
		1	24	28	6.42	1540	1200	1060	940	820
		2	20	24	9.04	2170	1690	1500	1320	1150
		2	24	28	10.03	2406	1880	1660	1470	1280
		3	24	28	11.48	2756	2150	1900	1680	1460
	1C-4¼ X 4¼-40	1	14	18	6.78	1628	1270	1120	990	860
		1	20	24	7.40	1776	1390	1230	1080	940
		1	24	28	7.73	1855	1450	1280	1130	980
		2	20	24	9.92	2380	1860	1640	1450	1260
		2	24	28	10.79	2590	2020	1790	1580	1370
		3	24	28	12.40	2975	2320	2050	1810	1580
	1C-4¼ X 4¼-48	1	14	18	7.29	1750	1370	1210	1070	930
		1	20	24	8.35	2004	1560	1380	1220	1060
		1	24	28	8.97	2153	1680	1490	1310	1140
		2	20	24	11.70	2809	2190	1940	1710	1490
		2	24	28	12.58	3019	2350	2080	1840	1600
		3	24	28	14.07	3378	2630	2330	2060	1790

*EDR - Equivalent Direct Radiation area (for steam heat) per active (finned) lineal foot of tube.

Important Rating Information Performance ratings based on:

- Installation at height shown. (Lower heights are not recommended. For greater heights, refer to EZselect selection software.)
- Entering air temperature of 65°F. (For other temperatures, refer to EZselect selection software.)

- Steam at nominal 1 (actual 0.9) psig and 215°F. (For other conditions, refer to EZselect selection software.)
- Water average temperature (°F) shown and velocity of 3 fps or more. (For lower velocities, refer to EZselect selection software.)

Performance ratings

Model BGV L5/BGHL5/IBGV L5/IBGHL5; Standard enclosure

In BTU/hr per active (finned) lineal foot of tube at entering air temperature of 65°F

Element	Rows of element (on 6-inch centers)	Enclosure height (in inches)	Recommend-ed minimum installed height (in inches)	EDR* (ft ² / ft)	Steam heat	Hot water heat				
					215°F factor of 1.00	190°F factor of 0.78	180°F factor of 0.69	170°F factor of 0.61	160°F factor of 0.53	
Copper finned tubing										
1/4" Dia. copper	1 1/4 C-2 3/4 X 4-32	1	14	18	4.45	1068	830	740	650	570
		1	20	24	4.99	1199	940	830	730	640
		1	24	28	5.25	1260	980	870	770	670
		2	20	24	6.64	1593	1240	1100	970	840
		2	24	28	7.36	1768	1380	1220	1080	940
		3	24	28	8.49	2039	1590	1410	1240	1080
	1 1/4 C-2 3/4 X 4-40	1	14	18	4.99	1199	940	830	730	640
		1	20	24	5.61	1348	1050	930	820	710
		1	24	28	6.05	1453	1130	1000	890	770
		2	20	24	6.93	1663	1300	1150	1010	880
		2	24	28	7.80	1873	1460	1290	1140	990
		3	24	28	8.93	2144	1670	1480	1310	1140
	1 1/4 C-2 3/4 X 4-48	1	14	18	5.61	1348	1050	930	820	710
		1	20	24	6.38	1531	1190	1060	930	810
		1	24	28	6.74	1619	1260	1120	990	860
		2	20	24	7.26	1741	1360	1200	1060	920
		2	24	28	8.13	1951	1520	1350	1190	1030
		3	24	28	9.37	2249	1750	1550	1370	1190
1/4" Dia. copper	1 1/4 C-3 1/4 X 3 1/4-32	1	14	18	4.2	998	778	689	609	529
		1	20	24	4.4	1058	826	730	646	561
		1	24	28	6.6	1579	1232	1090	963	837
		2	20	24	4.6	1104	861	762	673	585
		2	24	28	7.3	1748	1363	1206	1066	926
		3	24	28	8.6	2063	1609	1424	1259	1094
	1 1/4 C-3 1/4 X 3 1/4-40	1	14	18	4.9	1164	908	803	710	617
		1	20	24	5.3	1270	991	876	775	673
		1	24	28	7.4	1780	1388	1228	1086	943
		2	20	24	5.5	1331	1038	918	812	705
		2	24	28	8.1	1937	1511	1337	1182	1027
		3	24	28	9.4	2250	1755	1553	1373	1193
	1 1/4 C-3 1/4 X 3 1/4-48	1	14	18	5.4	1299	1014	897	793	689
		1	20	24	6.2	1496	1167	1032	913	793
		1	24	28	8.8	2115	1649	1459	1290	1121
		2	20	24	6.6	1591	1241	1098	970	843
		2	24	28	9.4	2250	1755	1553	1373	1193
		3	24	28	10.8	2588	2019	1786	1579	1372

*EDR - Equivalent Direct Radiation area (for steam heat) per active (finned) lineal foot of tube.

Important Rating Information Performance ratings based on:

- Installation at height shown. (Lower heights are not recommended. For greater heights, refer to EZselect selection software.)
- Entering air temperature of 65°F. (For other temperatures, refer to EZselect selection software.)

- Steam at nominal 1 (actual 0.9) psig and 215°F. (For other conditions, refer to EZselect selection software.)
- Water average temperature (°F) shown and velocity of 3 fps or more. (For lower velocities, refer to EZselect selection software.)

Performance ratings

Model BGV L5/BGHL5/IBGV L5/IBGHL5; Standard enclosure

In BTU/hr per active (finned) lineal foot of tube at entering air temperature of 65°F

Element	Rows of element (on 6-inch centers)	Enclosure height (in inches)	Recommend- ed minimum installed height (in inches)	EDR* (ft ² / ft)	Steam heat	Hot water heat				
					215°F factor of 1.00	190°F factor of 0.78	180°F factor of 0.69	170°F factor of 0.61	160°F factor of 0.53	
Copper finned tubing										
1 1/4" Dia. copper	1 1/4C-4 1/4 X 4 1/4-32	1	14	18	5.76	1383	1080	950	840	730
		1	20	24	6.13	1470	1150	1010	900	780
		1	24	28	6.38	1531	1190	1060	930	810
		2	20	24	9.01	2161	1690	1490	1320	1150
		2	24	28	9.99	2398	1870	1650	1460	1270
		3	24	28	11.45	2748	2140	1900	1680	1460
	1 1/4C-4 1/4 X 4 1/4-40	1	14	18	6.74	1619	1260	1120	990	860
		1	20	24	7.36	1768	1380	1220	1080	940
		1	24	28	7.69	1847	1440	1270	1130	980
		2	20	24	9.88	2371	1850	1640	1450	1260
		2	24	28	10.76	2581	2010	1780	1570	1370
		3	24	28	12.32	2958	2310	2040	1800	1570
	1 1/4C-4 1/4 X 4 1/4-48	1	14	18	7.22	1733	1350	1200	1060	920
		1	20	24	8.31	1995	1560	1380	1220	1060
		1	24	28	8.79	2109	1640	1460	1290	1120
		2	20	24	11.59	2783	2170	1920	1700	1470
		2	24	28	12.32	2958	2310	2040	1800	1570
		3	24	28	13.78	3308	2580	2280	2020	1750

*EDR - Equivalent Direct Radiation area (for steam heat) per active (finned) lineal foot of tube.

Important Rating Information Performance ratings based on:

- Installation at height shown. (Lower heights are not recommended. For greater heights, refer to EZselect selection software.)
- Entering air temperature of 65°F. (For other temperatures, refer to EZselect selection software.)

- Steam at nominal 1 (actual 0.9) psig and 215°F. (For other conditions, refer to EZselect selection software.)
- Water average temperature (°F) shown and velocity of 3 fps or more. (For lower velocities, refer to EZselect selection software.)

Performance ratings

Model BG3/IBG3; Low profile, bar grille enclosure

In BTU/hr per active (finned) lineal foot of tube at entering air temperature of 65°F

Element	Rows of element (on 6-inch centers)	Enclosure height (in inches)	Recommend- ed minimum installed height (in inches)	EDR* (ft ² / ft)	Steam heat	Hot water heat				
					215°F factor of 1.00	190°F factor of 0.78	180°F factor of 0.69	170°F factor of 0.61	160°F factor of 0.53	
Steel finned tubing										
1" Dia. steel	1S-3¼ X 3¼-32	1	8	12	3.20	770	600	530	470	410
		1	11	15	3.40	820	640	570	500	430
		1	14	18	3.50	840	660	580	510	450
		2	14	18	4.80	1150	900	790	700	610
	1S-3¼ X 3¼-40	1	8	12	3.50	840	660	580	510	450
		1	11	15	3.80	920	720	630	560	490
		1	14	18	4.00	960	750	660	590	510
		2	14	18	5.40	1300	1010	900	790	690
	1S-3¼ X 3¼-48	1	8	12	4.00	960	748	660	590	510
		1	11	15	4.30	1030	803	710	630	550
		1	14	18	4.50	1080	842	750	660	570
		2	14	18	6.10	1470	1146	1010	900	780
1¼" Dia. steel	1¼S-3¼ X 3¼-32	1	8	12	3.10	750	590	520	460	400
		1	11	15	3.30	800	620	550	490	420
		1	14	18	3.40	820	640	570	500	530
		2	14	18	4.70	1130	880	780	690	600
	1¼S-3¼ X 3¼-40	1	8	12	3.40	820	640	570	500	430
		1	11	15	3.80	900	700	620	550	480
		1	14	18	3.90	940	730	650	570	500
		2	14	18	5.30	1270	990	880	770	670
	1¼S-3¼ X 3¼-48	1	8	12	3.90	940	730	650	570	500
		1	11	15	4.20	1010	790	700	620	540
		1	14	18	4.40	1060	830	730	650	560
		2	14	18	6.00	1440	1120	990	880	760

*EDR - Equivalent Direct Radiation area (for steam heat) per active (finned) lineal foot of tube.

Important Rating Information Performance ratings based on:

- Installation at height shown. (Lower heights are not recommended. For greater heights, refer to EZselect selection software.)
- Entering air temperature of 65°F. (For other temperatures, refer to EZselect selection software.)

- Steam at nominal 1 (actual 0.9) psig and 215°F. (For other conditions, refer to EZselect selection software.)
- Water average temperature (°F) shown and velocity of 3 fps or more. (For lower velocities, refer to EZselect selection software.)

Performance ratings

Model BG3/IBG3; Low profile, bar grille enclosure

In BTU/hr per active (finned) lineal foot of tube at entering air temperature of 65°F

Element	Rows of element (on 6-inch centers)	Enclosure height (in inches)	Recommend-ed minimum installed height (in inches)	EDR* (ft ² / ft)	Steam heat	Hot water heat				
					215°F factor of 1.00	190°F factor of 0.78	180°F factor of 0.69	170°F factor of 0.61	160°F factor of 0.53	
Copper finned tubing										
¾" Dia. copper	¾C-2¾ X 4-32	1	8	12	4.30	1030	800	710	630	540
		1	11	15	4.60	1100	860	760	670	580
		1	14	18	4.90	1170	910	810	710	620
		2	14	18	6.70	1600	1250	1110	980	850
	¾C-2¾ X 4-40	1	8	12	4.70	1130	880	780	690	600
		1	11	15	5.10	1220	950	840	740	650
		1	14	18	5.40	1290	1010	890	790	680
		2	14	18	9.30	2220	1230	1080	940	1176
	¾C-2¾ X 4-48	1	8	12	5.10	1220	950	840	740	650
		1	11	15	5.60	1340	1050	920	870	710
		1	14	18	5.90	1410	1100	970	860	750
		2	14	18	8.00	1930	1500	1330	1180	1020
¾" Dia. copper	¾C-3¼ X 3¼-32	1	8	12	4.10	980	760	680	600	520
		1	11	15	4.40	1050	820	720	640	560
		1	14	18	4.70	1130	880	780	690	600
		2	14	18	6.40	1540	1200	1060	940	820
	¾C-3¼ X 3¼-40	1	8	12	4.50	1080	840	750	660	570
		1	11	15	4.90	1170	910	810	710	620
		1	14	18	5.10	1240	970	860	760	660
		2	14	18	7.10	1710	1330	1180	1040	910
	¾C-3¼ X 3¼-48	1	8	12	5.00	1200	940	830	730	640
		1	11	15	5.40	1300	1010	900	790	690
		1	14	18	5.40	1370	1070	950	840	730
		2	14	18	7.90	1890	1480	1300	1150	1000
1" Dia. copper	1C-2¾ X 4-32	1	8	12	4.20	1010	790	700	620	540
		1	11	15	4.50	1080	840	750	660	570
		1	14	18	4.80	1150	900	730	700	610
		2	14	18	6.60	1580	1230	1090	960	840
	1C-2¾ X 4-40	1	8	12	4.60	1110	870	770	680	590
		1	11	15	5.00	1200	940	830	730	640
		1	14	18	5.30	1270	990	880	770	670
		2	14	18	7.30	1750	1370	1210	1070	930
	1C-2¾ X 4-48	1	8	12	5.00	1200	940	830	730	640
		1	11	15	5.50	1320	1030	910	810	700
		1	14	18	5.80	1390	1080	960	850	740
		2	14	18	7.90	1900	1480	1310	1160	1010

*EDR - Equivalent Direct Radiation area (for steam heat) per active (finned) lineal foot of tube.

Important Rating Information Performance ratings based on:

- Installation at height shown. (Lower heights are not recommended. For greater heights, refer to EZselect selection software.)
- Entering air temperature of 65°F. (For other temperatures, refer to EZselect selection software.)

- Steam at nominal 1 (actual 0.9) psig and 215°F. (For other conditions, refer to EZselect selection software.)
- Water average temperature (°F) shown and velocity of 3 fps or more. (For lower velocities, refer to EZselect selection software.)

Performance ratings

Model BG3/IBG3; Low profile,
bar grille enclosure

In BTU/hr per active (finned) lineal foot of tube at entering air temperature of 65°F

Element	Rows of element (on 6-inch centers)	Enclosure height (in inches)	Recommend- ed minimum installed height (in inches)	EDR* (ft ² / ft)	Steam heat	Hot water heat				
					215°F factor of 1.00	190°F factor of 0.78	180°F factor of 0.69	170°F factor of 0.61	160°F factor of 0.53	
Copper finned tubing										
1" Dia. copper	1C-3¼ X 3¼-32	1	8	12	4.00	960	750	660	590	510
		1	11	15	4.30	1030	800	710	630	550
		1	14	18	4.60	1110	870	770	680	590
		2	14	18	6.30	1510	1180	1040	920	800
	1C-3¼ X 3¼-40	1	8	12	4.40	1060	830	730	650	560
		1	11	15	4.80	1150	900	790	700	610
		1	14	18	5.10	1220	950	840	740	650
		2	14	18	7.00	1680	1310	1160	1020	890
	1C-3¼ X 3¼-48	1	8	12	4.90	1180	920	810	720	630
		1	11	15	5.30	1270	990	880	770	670
		1	14	18	5.60	1340	1050	920	820	710
		2	14	18	7.70	1850	1440	1280	1130	980
1¼" Dia. copper	1¼C-2¾ X 4-32	1	8	12	4.00	960	750	660	590	510
		1	11	15	4.30	1030	800	710	630	550
		1	14	18	4.60	1110	870	770	680	590
		2	14	18	6.30	1510	1180	1040	920	800
	1¼C-2¾ X 4-40	1	8	12	4.50	1080	840	750	660	570
		1	11	15	4.80	1150	900	790	700	610
		1	14	18	5.10	1220	950	840	740	650
		2	14	18	7.00	1680	1310	1160	1020	890
	1¼C-2¾ X 4-48	1	8	12	5.00	1180	920	810	720	630
		1	11	15	5.30	1270	990	880	770	670
		1	14	18	5.60	1340	1050	920	820	710
		2	14	18	7.70	1850	1440	1280	1130	980
1¼" Dia. copper	1¼C-3¼ X 3¼-32	1	8	12	3.50	850	660	590	520	450
		1	11	15	3.80	920	720	630	560	490
		1	14	18	4.00	960	750	660	590	510
		2	14	18	5.50	1320	1030	910	810	700
	1¼C-3¼ X 3¼-40	1	8	12	4.40	1060	830	730	650	560
		1	11	15	4.70	1130	880	780	690	600
		1	14	18	5.00	1200	940	830	730	640
		2	14	18	6.90	1660	1290	1150	1010	880
	1¼C-3¼ X 3¼-48	1	8	12	4.80	1150	900	790	700	610
		1	11	15	5.20	1250	980	860	760	660
		1	14	18	5.50	1320	1030	910	810	700
		2	14	18	7.50	1800	1400	1240	1100	950

*EDR - Equivalent Direct Radiation area (for steam heat) per active (finned) lineal foot of tube.

Important Rating Information Performance ratings based on:

- Installation at height shown. (Lower heights are not recommended. For greater heights, refer to EZselect selection software.)
- Entering air temperature of 65°F. (For other temperatures, refer to EZselect selection software.)

- Steam at nominal 1 (actual 0.9) psig and 215°F. (For other conditions, refer to EZselect selection software.)
- Water average temperature (°F) shown and velocity of 3 fps or more. (For lower velocities, refer to EZselect selection software.)

Performance ratings

Model BGVL3/BGHL3/IBGVL3/IBGHL3; Low profile, bar grille enclosure

In BTU/hr per active (finned) lineal foot of tube at entering air temperature of 65°F

Element	Rows of element (on 6-inch centers)	Enclosure height (in inches)	Recommend- ed minimum installed height (in inches)	EDR* (ft ² / ft)	Steam heat	Hot water heat				
					215°F factor of 1.00	190°F factor of 0.78	180°F factor of 0.69	170°F factor of 0.61	160°F factor of 0.53	
Steel finned tubing										
1" Dia. steel	1S-3¼ X 3¼-32	1	11	15	3.42	820	640	570	500	430
		1	14	18	3.50	840	660	580	510	450
		2	14	18	4.79	1150	900	790	700	610
	1S-3¼ X 3¼-40	1	11	15	3.83	920	720	630	560	490
		1	14	18	4.00	960	750	660	590	510
		2	14	18	5.42	1300	1010	900	790	690
	1S-3¼ X 3¼-48	1	11	15	4.29	1030	800	710	630	550
		1	14	18	4.50	1080	840	750	660	570
		2	14	18	6.13	1470	1150	1010	900	780
1¼" Dia. steel	1¼S-3¼ X 3¼-32	1	11	15	3.33	800	620	550	490	420
		1	14	18	3.42	820	640	570	500	430
		2	14	18	4.71	1130	880	780	690	600
	1¼S-3¼ X 3¼-40	1	11	15	3.75	900	700	620	550	480
		1	14	18	3.92	940	730	650	570	500
		2	14	18	5.29	1270	990	880	770	670
	1¼S-3¼ X 3¼-48	1	11	15	4.21	1010	790	700	620	540
		1	14	18	4.42	1060	830	730	650	560
		2	14	18	6.00	1440	1120	990	880	760

*EDR - Equivalent Direct Radiation area (for steam heat) per active (finned) lineal foot of tube.

Important Rating Information Performance ratings based on:

- Installation at height shown. (Lower heights are not recommended. For greater heights, refer to EZselect selection software.)
- Entering air temperature of 65°F. (For other temperatures, refer to EZselect selection software.)
- Steam at nominal 1 (actual 0.9) psig and 215°F. (For other conditions, refer to EZselect selection software.)
- Water average temperature (°F) shown and velocity of 3 fps or more. (For lower velocities, refer to EZselect selection software.)

Performance ratings

Model BGV L3/BGHL3/IBGV L3/IBGHL3; Low profile, bar grille enclosure

In BTU/hr per active (finned) lineal foot of tube at entering air temperature of 65°F

Element	Rows of element (on 6-inch centers)	Enclosure height (in inches)	Recommend- ed minimum installed height (in inches)	EDR* (ft ² / ft)	Steam heat	Hot water heat				
					215°F factor of 1.00	190°F factor of 0.78	180°F factor of 0.69	170°F factor of 0.61	160°F factor of 0.53	
Copper finned tubing										
¾" Dia. copper	¾C-2¾ X 4-32	1	11	15	4.01	963	750	660	590	510
		1	14	18	4.27	1024	800	710	620	540
		2	14	18	5.83	1400	1090	970	850	740
	¾C-2¾ X 4-40	1	11	15	4.45	1068	830	740	650	570
		1	14	18	4.70	1129	880	780	690	600
		2	14	18	8.09	1943	1520	1340	1180	1030
	¾C-2¾ X 4-48	1	11	15	4.89	1173	910	810	720	620
		1	14	18	5.14	1234	960	850	750	650
		2	14	18	7.04	1689	1320	1170	1030	900
¾" Dia. copper	¾C-3¾ X 3¾-32	1	11	15	3.83	919	720	630	560	490
		1	14	18	4.12	989	770	680	600	520
		2	14	18	5.61	1348	1050	930	820	710
	¾C-3¾ X 3¾-40	1	11	15	4.27	1024	800	710	620	540
		1	14	18	4.52	1085	850	750	660	580
		2	14	18	6.23	1496	1170	1030	910	790
	¾C-3¾ X 3¾-48	1	11	15	4.74	1138	890	780	690	600
		1	14	18	4.99	1199	940	830	730	640
		2	14	18	6.89	1654	1290	1140	1010	880
1" Dia. copper	1C-2¾ X 4-32	1	11	15	3.94	945	740	650	580	500
		1	14	18	4.19	1007	780	690	610	530
		2	14	18	5.76	1383	1080	950	840	730
	1C-2¾ X 4-40	1	11	15	4.38	1050	820	720	640	560
		1	14	18	4.63	1111	870	770	680	590
		2	14	18	6.38	1531	1190	1060	930	810
	1C-2¾ X 4-48	1	11	15	4.81	1155	900	800	700	610
		1	14	18	5.07	1216	950	840	740	640
		2	14	18	6.93	1663	1300	1150	1010	880

*EDR - Equivalent Direct Radiation area (for steam heat) per active (finned) lineal foot of tube.

Important Rating Information Performance ratings based on:

- Installation at height shown. (Lower heights are not recommended. For greater heights, refer to EZselect selection software.)
- Entering air temperature of 65°F. (For other temperatures, refer to EZselect selection software.)
- Steam at nominal 1 (actual 0.9) psig and 215°F. (For other conditions, refer to EZselect selection software.)
- Water average temperature (°F) shown and velocity of 3 fps or more. (For lower velocities, refer to EZselect selection software.)

Performance ratings

Model BGV L3/BGHL3/IBGV L3/IBGHL3; Low profile, bar grille enclosure

In BTU/hr per active (finned) lineal foot of tube at entering air temperature of 65°F

Element	Rows of element (on 6-inch centers)	Enclosure height (in inches)	Recommend- ed minimum installed height (in inches)	EDR* (ft ² / ft)	Steam heat	Hot water heat				
					215°F factor of 1.00	190°F factor of 0.78	180°F factor of 0.69	170°F factor of 0.61	160°F factor of 0.53	
Copper finned tubing										
1" Dia. copper	1C-3¼ X 3¼-32	1	11	15	3.76	901	700	620	550	480
		1	14	18	4.05	971	760	670	590	510
		2	14	18	5.51	1321	1030	910	810	700
	1C-3¼ X 3¼-40	1	11	15	4.19	1006	780	690	610	530
		1	14	18	4.45	1068	830	740	650	570
		2	14	18	6.13	1470	1150	1010	900	780
	1C-3¼ X 3¼-48	1	11	15	4.63	1111	870	770	680	590
		1	14	18	4.89	1173	910	810	720	620
		2	14	18	6.74	1619	1260	1120	990	860
1½" Dia. copper	1¼C-2¾ X 4-32	1	11	15	3.76	901	700	620	550	480
		1	14	18	4.05	971	760	670	590	510
		2	14	18	5.51	1321	1030	910	810	700
	1¼C-2¾ X 4-40	1	11	15	4.19	1006	780	690	610	530
		1	14	18	4.45	1068	830	740	650	570
		2	14	18	6.13	1470	1150	1010	900	780
	1¼C-2¾ X 4-48	1	11	15	4.63	1111	870	770	680	590
		1	14	18	4.89	1173	910	810	720	620
		2	14	18	6.74	1619	1260	1120	990	860
1½" Dia. copper	1¼C-3¼ X 3¼-32	1	11	15	3.35	805	630	560	490	430
		1	14	18	3.50	840	660	580	510	450
		2	14	18	4.81	1155	900	800	700	610
	1¼C-3¼ X 3¼-40	1	11	15	4.12	989	770	680	600	520
		1	14	18	4.38	1050	820	720	640	560
		2	14	18	6.05	1453	1130	1000	890	770
	1¼C-3¼ X 3¼-48	1	11	15	4.56	1094	850	750	670	580
		1	14	18	4.81	1155	900	800	700	610
		2	14	18	6.56	1575	1230	1090	960	830

*EDR - Equivalent Direct Radiation area (for steam heat) per active (finned) lineal foot of tube.

Important Rating Information Performance ratings based on:

- Installation at height shown. (Lower heights are not recommended. For greater heights, refer to EZselect selection software.)
- Entering air temperature of 65°F. (For other temperatures, refer to EZselect selection software.)

- Steam at nominal 1 (actual 0.9) psig and 215°F. (For other conditions, refer to EZselect selection software.)
- Water average temperature (°F) shown and velocity of 3 fps or more. (For lower velocities, refer to EZselect selection software.)

Performance ratings

Model PBG5/PIBG5; Pedestal enclosure

In BTU/hr per active (finned) lineal foot of tube at entering air temperature of 65°F

Element	Rows of element (on 6-inch centers)	Enclosure height (in inches)	Recommend- ed minimum installed height (in inches)	EDR* (ft ² / ft)	Steam heat	Hot water heat				
					215°F factor of 1.00	190°F factor of 0.78	180°F factor of 0.69	170°F factor of 0.61	160°F factor of 0.53	
Steel finned tubing										
1" Dia. steel	1S-3¼ X 3¼-32	1	6	10	3.8	910	710	630	560	480
		1	8	12	3.9	924	721	638	564	490
		2	12	16	5.7	1360	1060	940	830	720
	1S-3¼ X 3¼-40	1	6	10	4.1	980	770	680	600	520
		1	8	12	4.2	1008	786	696	615	534
		2	12	16	6.2	1480	1160	1020	900	790
	1S-3¼ X 3¼-48	1	6	10	4.4	1050	820	720	640	560
		1	8	12	4.5	1091	851	753	665	578
		2	12	16	6.6	1570	1230	1080	960	830
1" Dia. steel	1S-4¼ X 4¼-32	1	6	10	5.3	1280	1000	880	780	680
		1	8	12	5.4	1289	1006	890	786	683
		2	12	16	7.5	1800	1400	1240	1100	950
	1S-4¼ X 4¼-40	1	6	10	5.6	1330	1040	920	810	700
		1	8	12	5.7	1377	1074	950	840	730
		2	12	16	8	1980	1540	1310	1210	1050
	1S-4¼ X 4¼-48	1	6	10	6.1	1470	1150	1010	900	780
		1	8	12	6.3	1512	1180	1044	923	802
		2	12	16	8.8	2120	1650	1460	1290	1120

*EDR - Equivalent Direct Radiation area (for steam heat) per active (finned) lineal foot of tube.

Important Rating Information

Performance ratings based on:

- Installation at height shown. (Lower heights are not recommended. For greater heights, refer to EZselect selection software.)
- Entering air temperature of 65°F. (For other temperatures, refer to EZselect selection software.)
- Steam at nominal 1 (actual 0.9) psig and 215°F. (For other conditions, refer to EZselect selection software.)
- Water average temperature (°F) shown and velocity of 3 fps or more. (For lower velocities, refer to EZselect selection software.)
- Contact factory when ordering 1-1/4" copper, 1" steel and 1-1/4" steel elements to ensure proper fit up inside the enclosure.

Performance ratings

Model PBG5/PIBG5; Pedestal enclosure

In BTU/hr per active (finned) lineal foot of tube at entering air temperature of 65°F

Element	Rows of element (on 6-inch centers)	Enclosure height (in inches)	Recommend-ed minimum installed height (in inches)	EDR* (ft ² / ft)	Steam heat	Hot water heat				
					215°F factor of 1.00	190°F factor of 0.78	180°F factor of 0.69	170°F factor of 0.61	160°F factor of 0.53	
Steel finned tubing										
1 1/4" Dia. steel	1 1/4S-3 1/4 X 3 1/4-32	1	6	10	3.7	890	700	610	540	470
		1	8	12	3.8	912	711	629	556	483
		2	12	16	5.6	1330	1040	920	810	700
	1 1/4S-3 1/4 X 3 1/4-40	1	6	10	4	960	750	660	590	510
		1	8	12	4.1	983	767	679	600	521
		2	12	16	6.1	1450	1130	1000	880	770
	1 1/4S-3 1/4 X 3 1/4-48	1	6	10	4.3	1030	800	710	630	550
		1	8	12	4.4	1066	832	736	650	565
		2	12	16	6.4	1540	1200	1060	940	820
1 1/4" Dia. steel	1 1/4S-4 1/4 X 4 1/4-32	1	6	10	5.2	1250	980	860	760	660
		1	8	12	5.3	1265	987	873	772	670
		2	12	16	7.3	1760	1370	1210	1070	930
	1 1/4S-4 1/4 X 4 1/4-40	1	6	10	5.4	1300	1010	900	790	690
		1	8	12	5.5	1328	1036	916	810	704
		2	12	16	8.1	1940	1510	1340	118	1030
	1 1/4S-4 1/4 X 4 1/4-48	1	6	10	6	1440	1120	990	880	760
		1	8	12	6.2	1488	1160	1027	907	788
		2	12	16	8.7	2080	1620	1440	1270	1100
2" Dia. steel	2S-4 1/4 X 4 1/4-32	1	6	10	5	1198	935	827	731	635
		1	8	12	5.1	1216	949	839	742	645
		2	12	16	7.1	1699	1326	1173	1037	901
	2S-4 1/4 X 4 1/4-40	1	6	10	5.2	1244	970	858	759	659
		1	8	12	5.3	1278	997	882	780	678
		2	12	16	7.9	1886	1471	1301	1150	999
	2S-4 1/4 X 4 1/4-48	1	6	10	5.8	1382	1078	954	843	733
		1	8	12	6.0	1438	1122	992	877	762
		2	12	16	8.4	2025	1580	1397	1235	1073

*EDR - Equivalent Direct Radiation area (for steam heat) per active (finned) lineal foot of tube.

Important Rating Information Performance ratings based on:

- Installation at height shown. (Lower heights are not recommended. For greater heights, refer to EZselect selection software.)
- Entering air temperature of 65°F. (For other temperatures, refer to EZselect selection software.)
- Steam at nominal 1 (actual 0.9) psig and 215°F. (For other conditions, refer to EZselect selection software.)
- Water average temperature (°F) shown and velocity of 3 fps or more. (For lower velocities, refer to EZselect selection software.)
- Contact factory when ordering 1-1/4" copper, 1" steel and 1-1/4" steel elements to ensure proper fit up inside the enclosure.

Performance ratings

Model PBG5/PIBG5; Pedestal enclosure

In BTU/hr per active (finned) lineal foot of tube at entering air temperature of 65°F

Element	Rows of element (on 6-inch centers)	Enclosure height (in inches)	Recommend-ed minimum installed height (in inches)	EDR* (ft ² / ft)	Steam heat	Hot water heat				
					215°F factor of 1.00	190°F factor of 0.78	180°F factor of 0.69	170°F factor of 0.61	160°F factor of 0.53	
Copper finned tubing										
¾" Dia. copper	¾C-2¾ X 4-32	1	6	10	3.7	900	700	620	550	480
		1	8	12	4.2	1005	784	694	613	533
		2	12	16	6.7	1610	1260	1110	980	850
	¾C-2¾ X 4-40	1	6	10	4	970	760	670	590	510
		1	8	12	4.6	1099	857	759	671	583
		2	12	16	7.1	1710	1330	1180	1040	910
	¾C-2¾ X 4-48	1	6	10	4.3	1040	810	720	630	550
		1	8	12	5.0	1190	928	821	726	631
		2	12	16	7.5	1790	1400	1240	1090	950
¾" Dia. copper	¾C-3¾ X 3¾-32	1	6	10	3.8	918	716	633	560	487
		1	8	12	4.3	1032	805	712	630	547
		2	12	16	7.4	1782	1390	1230	1087	945
	¾C-3¾ X 3¾-40	1	6	10	4.4	1044	814	720	637	553
		1	8	12	5.0	1209	943	834	738	641
		2	12	16	7.9	1905	1486	1315	1162	1010
	¾C-3¾ X 3¾-48	1	6	10	5.2	1242	969	857	758	658
		1	8	12	6.0	1439	1123	993	878	763
		2	12	16	8.1	1953	1523	1347	1191	1035
¾" Dia. copper	¾C-4¼ X 4¼-32	1	6	10	5.1	1230	960	850	750	650
		1	8	12	5.9	1423	1110	982	868	754
		2	12	16	9.4	2260	1760	1560	1380	1200
	¾C-4¼ X 4¼-40	1	6	10	5.8	1380	1080	950	840	730
		1	8	12	7.3	1753	1368	1210	1070	929
		2	12	16	10.05	2410	1880	1600	1470	1280
	¾C-4¼ X 4¼-48	1	6	10	6.9	1650	1290	1140	1010	880
		1	8	12	9.6	2310	1801	1594	1409	1224
		2	12	16	10.3	2470	1930	1700	1510	1310

*EDR - Equivalent Direct Radiation area (for steam heat) per active (finned) lineal foot of tube.

Important Rating Information Performance ratings based on:

- Installation at height shown. (Lower heights are not recommended. For greater heights, refer to EZselect selection software.)
- Entering air temperature of 65°F. (For other temperatures, refer to EZselect selection software.)
- Steam at nominal 1 (actual 0.9) psig and 215°F. (For other conditions, refer to EZselect selection software.)
- Water average temperature (°F) shown and velocity of 3 fps or more. (For lower velocities, refer to EZselect selection software.)
- Contact factory when ordering 1-1/4" copper, 1" steel and 1-1/4" steel elements to ensure proper fit up inside the enclosure.

Performance ratings

Model PBG5/PIBG5; Pedestal enclosure

In BTU/hr per active (finned) lineal foot of tube at entering air temperature of 65°F

Element	Rows of element (on 6-inch centers)	Enclosure height (in inches)	Recommend-ed minimum installed height (in inches)	EDR* (ft ² / ft)	Steam heat	Hot water heat				
					215°F factor of 1.00	190°F factor of 0.78	180°F factor of 0.69	170°F factor of 0.61	160°F factor of 0.53	
Copper finned tubing										
1" Dia. copper	1C-2¾ X 4-32	1	6	10	3.7	890	690	610	540	470
		1	8	12	4.2	1005	784	694	613	533
		2	12	16	6.6	1570	1220	1080	960	830
	1C-2¾ X 4-40	1	6	10	4	960	750	660	590	510
		1	8	12	4.6	1099	857	759	671	583
		2	12	16	6.9	1660	1290	1150	1010	880
	1C-2¾ X 4-48	1	6	10	4.3	1030	800	710	630	550
		1	8	12	5.0	1190	928	821	726	631
		2	12	16	7.2	1730	1350	1190	1060	920
1" Dia. copper	1C-3¼ X 3¼-32	1	6	10	3.4	818	638	564	499	433
		1	8	12	3.8	924	721	637	564	490
		2	12	16	6	1447	1129	998	883	767
	1C-3¼ X 3¼-40	1	6	10	3.7	884	689	610	539	468
		1	8	12	4.2	1017	793	702	620	539
		2	12	16	6.3	1513	1180	1044	923	802
	1C-3¼ X 3¼-48	1	6	10	4	950	741	656	580	504
		1	8	12	4.6	1107	864	764	675	587
		2	12	16	6.6	1579	1231	1089	963	837
1" Dia. copper	1C-4¼ X 4¼-32	1	6	10	5.1	1210	940	830	740	640
		1	8	12	5.9	1423	1110	982	868	754
		2	12	16	9.3	2220	1730	1530	1360	1180
	1C-4¼ X 4¼-40	1	6	10	5.7	1350	1050	930	820	720
		1	8	12	7.2	1723	1344	1189	1051	913
		2	12	16	9.8	2360	1840	1630	1440	1250
	1C-4¼ X 4¼-48	1	6	10	6.8	1620	1260	1120	990	860
		1	8	12	9.5	2276	1775	1571	1388	1206
		2	12	16	10.09	2420	1890	1670	1480	1280

*EDR - Equivalent Direct Radiation area (for steam heat) per active (finned) lineal foot of tube.

Important Rating Information Performance ratings based on:

- Installation at height shown. (Lower heights are not recommended. For greater heights, refer to EZselect selection software.)
- Entering air temperature of 65°F. (For other temperatures, refer to EZselect selection software.)
- Steam at nominal 1 (actual 0.9) psig and 215°F. (For other conditions, refer to EZselect selection software.)
- Water average temperature (°F) shown and velocity of 3 fps or more. (For lower velocities, refer to EZselect selection software.)
- Contact factory when ordering 1-1/4" copper, 1" steel and 1-1/4" steel elements to ensure proper fit up inside the enclosure.

*EDR - Equivalent Direct Radiation area (for steam heat) per active (finned) lineal foot of tube.

Important Rating Information Performance ratings based on:

- Installation at height shown. (Lower heights are not recommended. For greater heights, refer to EZselect selection software.)
- Entering air temperature of 65°F. (For other temperatures, refer to EZselect selection software.)
- Steam at nominal 1 (actual 0.9) psig and 215°F. (For other conditions, refer to EZselect selection software.)
- Water average temperature (°F) shown and velocity of 3 fps or more. (For lower velocities, refer to EZselect selection software.)

Performance ratings

Model PBG5/PIBG5; Pedestal enclosure

In BTU/hr per active (finned) lineal foot of tube at entering air temperature of 65°F

Element	Rows of element (on 6-inch centers)	Enclosure height (in inches)	Recommend-ed minimum installed height (in inches)	EDR* (ft ² / ft)	Steam heat	Hot water heat				
					215°F factor of 1.00	190°F factor of 0.78	180°F factor of 0.69	170°F factor of 0.61	160°F factor of 0.53	
Copper finned tubing										
1½" Dia. copper	1¼C-2¾ X 4-32	1	6	10	3.7	890	690	610	540	470
		1	8	12	4.2	1005	784	694	613	533
		2	12	16	6.6	1590	1240	110	970	840
	1¼C-2¾ X 4-40	1	6	10	4	960	750	660	590	510
		1	8	12	4.6	1099	857	759	671	583
		2	12	16	7.1	1710	1330	1180	1040	910
	1¼C-2¾ X 4-48	1	6	10	4.2	1010	790	700	620	540
		1	8	12	4.8	1163	907	802	709	616
		2	12	16	7.2	1730	1350	1190	1060	920
1½" Dia. copper	1¼C-3¼ X 3¼-32	1	6	10	3.6	864	674	596	527	458
		1	8	12	4.1	978	763	675	597	518
		2	12	16	6.6	1594	1244	1100	973	845
	1¼C-3¼ X 3¼-40	1	6	10	4	968	755	668	590	513
		1	8	12	4.6	1099	857	759	671	583
		2	12	16	7.1	1699	1326	1173	1037	901
	1¼C-3¼ X 3¼-48	1	6	10	4.8	1158	903	799	706	614
		1	8	12	5.5	1329	1036	917	810	704
		2	12	16	7.2	1734	1353	1197	1058	919
1½" Dia. copper	1¼C-4¼ X 4¼-32	1	6	10	5	1200	940	830	730	640
		1	8	12	5.8	1395	1088	963	851	739
		2	12	16	9.1	2180	1700	1500	1330	1160
	1¼C-4¼ X 4¼-40	1	6	10	5.6	1340	1050	930	820	710
		1	8	12	7.1	1693	1320	1168	1033	897
		2	12	16	9.7	2330	1820	1610	1420	1230
	1¼C-4¼ X 4¼-48	1	6	10	6.7	1610	1260	1110	980	850
		1	8	12	9.3	2243	1749	1547	1368	1189
		2	12	16	9.9	2380	1860	1640	1450	1260

*EDR - Equivalent Direct Radiation area (for steam heat) per active (finned) lineal foot of tube.

Important Rating Information Performance ratings based on:

- Installation at height shown. (Lower heights are not recommended. For greater heights, refer to EZselect selection software.)
- Entering air temperature of 65°F. (For other temperatures, refer to EZselect selection software.)
- Steam at nominal 1 (actual 0.9) psig and 215°F. (For other conditions, refer to EZselect selection software.)
- Water average temperature (°F) shown and velocity of 3 fps or more. (For lower velocities, refer to EZselect selection software.)
- Contact factory when ordering 1-1/4" copper, 1" steel and 1-1/4" steel elements to ensure proper fit up inside the enclosure.

Performance ratings

Model PBG10/PIBG10; Pedestal enclosure

In BTU/hr per active (finned) lineal foot of tube at entering air temperature of 65°F

Element	Rows of element (on 6-inch centers)	Enclosure height (in inches)	Recommend- ed minimum installed height (in inches)	EDR* (ft ² / ft)	Steam heat	Hot water heat				
					215°F factor of 1.00	190°F factor of 0.78	180°F factor of 0.69	170°F factor of 0.61	160°F factor of 0.53	
Steel finned tubing										
1" Dia. steel	1S-3¼ X 3¼-32	2	6	10	6.9	1660	1290	1150	1010	880
	1S-3¼ X 3¼-40	2	6	10	7.2	1730	1350	1190	1060	920
	1S-3¼ X 3¼-48	2	6	10	8	1910	1490	1320	1170	1010
1" Dia. steel	1S-4¼ X 4¼-32	2	6	10	9.8	2350	1830	1620	1430	1250
	1S-4¼ X 4¼-40	2	6	10	10.4	2500	1950	1730	1530	1030
	1S-4¼ X 4¼-48	2	6	10	11.2	2690	2100	1860	1640	1430
1¼" Dia. steel	1¼S-3¼ X 3¼-32	2	6	10	6.8	1630	1270	1120	990	860
	1¼S-3¼ X 3¼-40	2	6	10	7.1	1700	1330	1170	1040	900
	1¼S-3¼ X 3¼-48	2	6	10	7.8	1870	1460	1290	1140	990
1¼" Dia. steel	1¼S-4¼ X 4¼-32	2	6	10	9.6	2300	1790	1590	1400	1220
	1¼S-4¼ X 4¼-40	2	6	10	10.2	2450	1910	1690	1490	1390
	1¼S-4¼ X 4¼-48	2	6	10	11	2640	2060	1820	1610	1400
2" Dia. steel	2S-4¼ X 4¼-32	2	6	10	9.2	2208	1722	1524	1347	1170
	2S-4¼ X 4¼-40	2	6	10	9.7	2328	1816	1606	1420	1234
	2S-4¼ X 4¼-48	2	6	10	10.8	2592	2022	1788	1581	1374

*EDR - Equivalent Direct Radiation area (for steam heat) per active (finned) lineal foot of tube.

Important Rating Information Performance ratings based on:

- Installation at height shown. (Lower heights are not recommended. For greater heights, refer to EZselect selection software.)
- Entering air temperature of 65°F. (For other temperatures, refer to EZselect selection software.)

- Steam at nominal 1 (actual 0.9) psig and 215°F. (For other conditions, refer to EZselect selection software.)
- Water average temperature (°F) shown and velocity of 3 fps or more. (For lower velocities, refer to EZselect selection software.)

Performance ratings

Model PBG10/PIBG10; Pedestal enclosure

In BTU/hr per active (finned) lineal foot of tube at entering air temperature of 65°F

Element	Rows of element (on 6-inch centers)	Enclosure height (in inches)	Recommend- ed minimum installed height (in inches)	EDR* (ft ² / ft)	Steam heat	Hot water heat				
					215°F factor of 1.00	190°F factor of 0.78	180°F factor of 0.69	170°F factor of 0.61	160°F factor of 0.53	
Steel finned tubing										
¾" Dia. copper	¾C-2¾ X 4-32	2	6	10	7.0	1680	1310	1150	1020	890
	¾C-2¾ X 4-40	2	6	10	7.4	1770	1380	1220	1080	940
	¾C-2¾ X 4-48	2	6	10	7.9	1890	1470	1300	1150	1000
¾" Dia. copper	¾C-3¼ X 3¼-32	2	6	10	7.2	1728	1348	1192	1054	916
	¾C-3¼ X 3¼-40	2	6	10	8.0	1920	1498	1325	1171	1018
	¾C-3¼ X 3¼-48	2	6	10	9.5	2280	1778	1573	1391	1208
¾" Dia. copper	¾C-4¼ X 4¼-32	2	6	10	9.6	2300	1790	1590	1400	1220
	¾C-4¼ X 4¼-40	2	6	10	10.5	2520	1970	1740	1540	1340
	¾C-4¼ X 4¼-48	2	6	10	12.7	3040	2370	2100	1850	1610
1" Dia. copper	1C-2¾ X 4-32	2	6	10	6.9	1660	1290	1150	1010	880
	1C-2¾ X 4-40	2	6	10	7.3	1750	1370	1210	1070	930
	1C-2¾ X 4-48	2	6	10	7.8	1870	1460	1290	1140	990
1" Dia. copper	1C-3¼ X 3¼-32	2	6	10	6.4	1536	1198	1060	937	814
	1C-3¼ X 3¼-40	2	6	10	6.7	1608	1254	1110	981	852
	1C-3¼ X 3¼-48	2	6	10	7.2	1728	1348	1192	1054	916
1" Dia. copper	1C-4¼ X 4¼-32	2	6	10	9.4	2250	1760	1550	1370	1190
	1C-4¼ X 4¼-40	2	6	10	10.3	2470	1930	1700	1510	1310
	1C-4¼ X 4¼-48	2	6	10	12.4	2980	2320	2060	1820	1580

*EDR - Equivalent Direct Radiation area (for steam heat) per active (finned) lineal foot of tube.

Important Rating Information Performance ratings based on:

- Installation at height shown. (Lower heights are not recommended. For greater heights, refer to EZselect selection software.)
- Entering air temperature of 65°F. (For other temperatures, refer to EZselect selection software.)

- Steam at nominal 1 (actual 0.9) psig and 215°F. (For other conditions, refer to EZselect selection software.)
- Water average temperature (°F) shown and velocity of 3 fps or more. (For lower velocities, refer to EZselect selection software.)

Performance ratings

Model PBG10/PIBG10; Pedestal enclosure

In BTU/hr per active (finned) lineal foot of tube at entering air temperature of 65°F

Element	Rows of element (on 6-inch centers)	Enclosure height (in inches)	Recommend- ed minimum installed height (in inches)	EDR* (ft ² / ft)	Steam heat	Hot water heat				
					215°F factor of 1.00	190°F factor of 0.78	180°F factor of 0.69	170°F factor of 0.61	160°F factor of 0.53	
Steel finned tubing										
1/4" Dia. copper	1/4C-2 3/4 X 4-32	2	6	10	6.9	1660	1290	1150	1010	880
	1/4C-2 3/4 X 4-40	2	6	10	7.3	1750	1370	1210	1070	930
	1/4C-2 3/4 X 4-48	2	6	10	7.7	1850	1440	1280	1130	980
1/4" Dia. copper	1/4C-3 1/4 X 3 1/4-32	2	6	10	6.7	1608	1254	1110	981	852
	1/4C-3 1/4 X 3 1/4-40	2	6	10	7.3	1752	1367	1209	1069	929
	1/4C-3 1/4 X 3 1/4-48	2	6	10	8.9	2136	1666	1474	1303	1132
1/4" Dia. copper	1/4C-4 1/4 X 4 1/4-32	2	6	10	9.3	2230	1740	1540	1360	1180
	1/4C-4 1/4 X 4 1/4-40	2	6	10	10.2	2450	1910	1690	1490	1300
	1/4C-4 1/4 X 4 1/4-48	2	6	10	12.3	2950	2300	2040	1800	1560

*EDR - Equivalent Direct Radiation area (for steam heat) per active (finned) lineal foot of tube.

Important Rating Information Performance ratings based on:

- Installation at height shown. (Lower heights are not recommended. For greater heights, refer to EZselect selection software.)
- Entering air temperature of 65°F. (For other temperatures, refer to EZselect selection software.)

- Steam at nominal 1 (actual 0.9) psig and 215°F. (For other conditions, refer to EZselect selection software.)
- Water average temperature (°F) shown and velocity of 3 fps or more. (For lower velocities, refer to EZselect selection software.)

Performance ratings

Model SBG5/SIBG5; Sloped top enclosure

In BTU/hr per active (finned) lineal foot of tube at entering air temperature of 65°F

Element	Rows of element (on 6-inch centers)	Enclosure height (in inches)	Recommend-ed minimum installed height (in inches)	EDR* (ft ² / ft)	Steam heat	Hot water heat				
					215°F factor of 1.00	190°F factor of 0.78	180°F factor of 0.69	170°F factor of 0.61	160°F factor of 0.53	
Steel finned tubing										
1" Dia. steel	1S-3¼ X 3¼-32	1	14	18	4.08	980	760	680	600	520
		1	20	24	4.21	1010	790	700	620	540
		1	24	28	4.42	1060	830	730	650	560
		2	20	24	6.29	1510	1180	1040	920	800
		2	24	28	6.58	1580	1230	1090	960	840
		3	24	28	7.71	1850	1440	1280	1130	980
	1S-3¼ X 3¼-40	1	14	18	4.58	1100	860	760	670	580
		1	20	24	4.92	1180	920	810	720	630
		1	24	28	5.08	1220	950	840	740	650
		2	20	24	6.92	1660	1290	1150	1010	880
		2	24	28	7.29	1750	1370	1210	1070	930
		3	24	28	8.42	2020	1580	1390	1230	1070
	1S-3¼ X 3¼-48	1	14	18	5.08	1220	950	840	740	650
		1	20	24	5.71	1370	1070	950	840	730
		1	24	28	5.92	1420	1110	980	870	750
		2	20	24	7.71	1850	1440	1280	1130	980
		2	24	28	8.00	1920	1500	1320	1170	1020
		3	24	28	9.21	2210	1720	1520	1350	1170
1" Dia. steel	1S-4¼ X 4¼-32	1	14	18	5.92	1420	1110	980	870	750
		1	20	24	6.08	1460	1140	1010	890	770
		1	24	28	6.29	1510	1180	1040	920	800
		2	20	24	9.21	2210	1720	1520	1350	1170
		2	24	28	9.58	2300	1790	1590	1400	1220
		3	24	28	11.00	2640	2060	1820	1610	1400
	1S-4¼ X 4¼-40	1	14	18	6.58	1580	1230	1090	960	840
		1	20	24	7.08	1700	1330	1170	1040	900
		1	24	28	7.42	1780	1390	1230	1090	940
		2	20	24	10.08	2420	1890	1670	1480	1280
		2	24	28	10.50	2520	1970	1740	1540	1340
		3	24	28	12.00	2880	2250	1990	1760	1530
	1S-4¼ X 4¼-48	1	14	18	7.50	1800	1400	1240	1100	950
		1	20	24	8.42	2020	1580	1390	1230	1070
		1	24	28	8.58	2060	1610	1420	1260	1090
		2	20	24	11.08	2660	2070	1840	1620	1410
		2	24	28	11.50	2760	2150	1900	1680	1460
		3	24	28	13.29	3190	2490	2200	1950	1690

*EDR - Equivalent Direct Radiation area (for steam heat) per active (finned) lineal foot of tube.

Important Rating Information Performance ratings based on:

- Installation at height shown. (Lower heights are not recommended. For greater heights, refer to EZselect selection software.)
- Entering air temperature of 65°F. (For other temperatures, refer to EZselect selection software.)
- Steam at nominal 1 (actual 0.9) psig and 215°F. (For other conditions, refer to EZselect selection software.)

- Water average temperature (°F) shown and velocity of 3 fps or more. (For lower velocities, refer to EZselect selection software.)
- Contact factory when ordering 1-1/4" copper, 1" steel and 1-1/4" steel elements to ensure proper fit up inside the enclosure.

Performance ratings

Model SBG5/SIBG5; Sloped top enclosure

In BTU/hr per active (finned) lineal foot of tube at entering air temperature of 65°F

Element	Rows of element (on 6-inch centers)	Enclosure height (in inches)	Recommend-ed minimum installed height (in inches)	EDR* (ft ² / ft)	Steam heat	Hot water heat				
					215°F factor of 1.00	190°F factor of 0.78	180°F factor of 0.69	170°F factor of 0.61	160°F factor of 0.53	
Steel finned tubing										
1 1/4" Dia. steel	1 1/4S-3 1/4 X 3 1/4-32	1	14	18	4.00	960	750	660	590	510
		1	20	24	4.08	980	760	680	600	520
		1	24	28	4.29	1030	800	710	630	550
		2	20	24	6.21	1490	1160	1030	910	790
		2	24	28	6.50	1560	1220	1080	950	830
		3	24	28	7.50	1800	1400	1240	1100	950
	1 1/4S-3 1/4 X 3 1/4-40	1	14	18	4.50	1080	840	750	660	570
		1	20	24	4.79	1150	900	790	700	610
		1	24	28	5.00	1200	940	830	730	640
		2	20	24	6.79	1630	1270	1120	990	860
		2	24	28	7.08	1700	1330	1170	1040	900
		3	24	28	8.21	1970	1540	1360	1200	1040
	1 1/4S-3 1/4 X 3 1/4-48	1	14	18	5.00	1200	940	830	730	640
		1	20	24	5.58	1340	1050	920	820	710
		1	24	28	5.79	1390	1080	960	850	740
		2	20	24	7.50	1800	1400	1240	1100	950
		2	24	28	7.79	1870	1460	1290	1140	990
		3	24	28	9.00	2160	1680	1490	1320	1140
1 1/4" Dia. steel	1 1/4S-4 1/4 X 4 1/4-32	1	14	18	5.79	1390	1080	960	850	740
		1	20	24	6.00	1440	1120	990	880	760
		1	24	28	6.21	1490	1160	1030	910	790
		2	20	24	9.00	2160	1680	1490	1320	1140
		2	24	28	9.42	2260	1760	1560	1380	1200
		3	24	28	10.79	2590	2020	1790	1580	1370
	1 1/4S-4 1/4 X 4 1/4-40	1	14	18	6.50	1560	1220	1080	950	830
		1	20	24	7.00	1680	1310	1160	1020	890
		1	24	28	7.21	1730	1350	1190	1060	920
		2	20	24	9.92	2380	1860	1640	1450	1260
		2	24	28	10.29	2470	1930	1700	1510	1310
		3	24	28	11.79	2830	2210	1950	1730	1500
	1 1/4S-4 1/4 X 4 1/4-48	1	14	18	7.29	1750	1370	1210	1070	930
		1	20	24	8.21	1970	1540	1360	1200	1040
		1	24	28	8.42	2020	1580	1390	1230	1070
		2	20	24	10.92	2620	2040	1810	1600	1390
		2	24	28	11.29	2710	2110	1870	1650	1440
		3	24	28	13.00	3120	2430	2150	1900	1650

*EDR - Equivalent Direct Radiation area (for steam heat) per active (finned) lineal foot of tube.

Important Rating Information Performance ratings based on:

- Installation at height shown. (Lower heights are not recommended. For greater heights, refer to EZselect selection software.)
- Entering air temperature of 65°F. (For other temperatures, refer to EZselect selection software.)

- Steam at nominal 1 (actual 0.9) psig and 215°F. (For other conditions, refer to EZselect selection software.)
- Water average temperature (°F) shown and velocity of 3 fps or more. (For lower velocities, refer to EZselect selection software.)

Performance ratings

Model SBG5/SIBG5; Sloped top enclosure

In BTU/hr per active (finned) lineal foot of tube at entering air temperature of 65°F

Element	Rows of element (on 6-inch centers)	Enclosure height (in inches)	Recommended minimum installed height (in inches)	EDR* (ft ² / ft)	Steam heat	Hot water heat				
					215°F factor of 1.00	190°F factor of 0.78	180°F factor of 0.69	170°F factor of 0.61	160°F factor of 0.53	
Steel finned tubing										
2" Dia. steel	2S-4¼ X 4¼-32	1	14	18	5.79	1390	1080	960	850	740
		1	20	24	5.83	1400	1090	970	850	740
		1	24	28	6.21	1490	1160	1030	910	790
		2	20	24	8.79	2110	1650	1460	1290	1120
		2	24	28	9.08	2180	1700	1500	1330	1160
		3	24	28	10.50	2520	1970	1740	1540	1340
	2S-4¼ X 4¼-40	1	14	18	6.50	1560	1220	1080	950	830
		1	20	24	6.92	1660	1290	1150	1010	880
		1	24	28	7.21	1730	1350	1190	1060	920
		2	20	24	9.50	2280	1780	1570	1390	1210
		2	24	28	10.00	2400	1870	1660	1460	1270
		3	24	28	11.50	2760	2150	1900	1680	1460
	2S-4¼ X 4¼-48	1	14	18	7.29	1750	1370	1210	1070	930
		1	20	24	7.92	1900	1480	1310	1160	1010
		1	24	28	8.42	2020	1580	1390	1230	1070
		2	20	24	10.21	2450	1910	1690	1490	1300
		2	24	28	10.79	2590	2020	1790	1580	1370
		3	24	28	12.42	2980	2320	2060	1820	1580

*EDR - Equivalent Direct Radiation area (for steam heat) per active (finned) lineal foot of tube.

Important Rating Information

- Performance ratings based on:
- Installation at height shown. (Lower heights are not recommended. For greater heights, refer to EZselect selection software.)
 - Entering air temperature of 65°F. (For other temperatures, refer to EZselect selection software.)

- Steam at nominal 1 (actual 0.9) psig and 215°F. (For other conditions, refer to EZselect selection software.)
- Water average temperature (°F) shown and velocity of 3 fps or more. (For lower velocities, refer to EZselect selection software.)

Performance ratings

Model SBG5/SIBG5; Sloped top enclosure

In BTU/hr per active (finned) lineal foot of tube at entering air temperature of 65°F

Element	Rows of element (on 6-inch centers)	Enclosure height (in inches)	Recommend-ed minimum installed height (in inches)	EDR* (ft ² / ft)	Steam heat	Hot water heat				
					215°F factor of 1.00	190°F factor of 0.78	180°F factor of 0.69	170°F factor of 0.61	160°F factor of 0.53	
Copper finned tubing										
3/4" Dia. copper	3/4C-2 3/4 X 4-32	1	14	18	4.57	1096	850	760	670	580
		1	20	24	4.81	1155	900	800	700	610
		1	24	28	5.09	1221	950	840	740	650
		2	20	24	7.20	1729	1350	1190	1050	920
		2	24	28	7.92	1901	1480	1310	1160	1010
		3	24	28	9.10	2185	1700	1510	1330	1160
	3/4C-2 3/4 X 4-40	1	14	18	5.42	1300	1010	900	790	690
		1	20	24	5.88	1412	1100	970	860	750
		1	24	28	6.13	1472	1150	1020	900	780
		2	20	24	7.65	1835	1430	1270	1120	970
		2	24	28	8.30	1993	1550	1380	1220	1060
		3	24	28	9.52	2284	1780	1580	1390	1210
	3/4C-2 3/4 X 4-48	2	20	24	7.87	1888	1470	1300	1150	1000
		2	24	28	8.58	2059	1610	1420	1260	1090
		3	24	28	9.85	2363	1840	1630	1440	1250
		1	14	18	5.80	1393	1090	960	850	740
		1	20	24	6.60	1584	1240	1090	970	840
		1	24	28	7.12	1709	1330	1180	1040	910
3/4" Dia. copper	3/4C-3 1/4 X 3 1/4-32	1	14	18	6.42	1540	1200	1060	940	820
		1	20	24	7.42	1780	1390	1230	1090	940
		1	24	28	7.92	1900	1480	1310	1160	1010
		2	20	24	9.71	2330	1820	1610	1420	1230
		2	24	28	10.00	2400	1870	1660	1460	1270
		3	24	28	11.00	2640	2060	1820	1610	1400
	3/4C-3 1/4 X 3 1/4-40	1	14	18	5.29	1270	990	880	770	670
		1	20	24	5.79	1390	1080	960	850	740
		1	24	28	6.08	1460	1140	1010	890	770
		2	20	24	8.08	1940	1510	1340	1180	1030
		2	24	28	9.00	2160	1680	1490	1320	1140
		3	24	28	10.29	2470	1930	1700	1510	1310
	3/4C-3 1/4 X 3 1/4-48	1	14	18	5.92	1420	1110	980	870	750
		1	20	24	6.50	1560	1220	1080	950	830
		1	24	28	6.92	1660	1290	1150	1010	880
		2	20	24	9.42	2260	1760	1560	1380	1200
		2	24	28	9.71	2330	1820	1610	1420	1230
		3	24	28	10.71	2570	2000	1770	1570	1360

*EDR - Equivalent Direct Radiation area (for steam heat) per active (finned) lineal foot of tube.

Important Rating Information Performance ratings based on:

- Installation at height shown. (Lower heights are not recommended. For greater heights, refer to EZselect selection software.)
- Entering air temperature of 65°F. (For other temperatures, refer to EZselect selection software.)

- Steam at nominal 1 (actual 0.9) psig and 215°F. (For other conditions, refer to EZselect selection software.)
- Water average temperature (°F) shown and velocity of 3 fps or more. (For lower velocities, refer to EZselect selection software.)

Performance ratings

Model SBG5/SIBG5; Sloped top enclosure

In BTU/hr per active (finned) lineal foot of tube at entering air temperature of 65°F

Element	Rows of element (on 6-inch centers)	Enclosure height (in inches)	Recommend-ed minimum installed height (in inches)	EDR* (ft ² / ft)	Steam heat	Hot water heat				
					215°F factor of 1.00	190°F factor of 0.78	180°F factor of 0.69	170°F factor of 0.61	160°F factor of 0.53	
Copper finned tubing										
¾" Dia. copper	¾C-4¼ X 4¼-32	1	14	18	8.79	2110	1650	1460	1290	1120
		1	20	24	10.00	2400	1870	1660	1460	1270
		1	24	28	10.79	2590	2020	1790	1580	1370
		2	20	24	11.92	2860	2230	1970	1740	1520
		2	24	28	13.00	3120	2430	2150	1900	1650
		3	24	28	14.92	3580	2790	2470	2180	1900
	¾C-4¼ X 4¼-40	1	14	18	6.92	1660	1290	1150	1010	880
		1	20	24	7.29	1750	1370	1210	1070	930
		1	24	28	7.71	1850	1440	1280	1130	980
		2	20	24	10.92	2620	2040	1810	1600	1390
		2	24	28	12.00	2880	2250	1990	1760	1530
		3	24	28	13.79	3310	2580	2280	2020	1750
	¾C-4¼ X 4¼-48	1	14	18	8.21	1970	1540	1360	1200	1040
		1	20	24	8.92	2140	1670	1480	1310	1130
		1	24	28	9.29	2230	1740	1540	1360	1180
		2	20	24	11.58	2780	2170	1920	1700	1470
		2	24	28	12.58	3020	2360	2080	1840	1600
		3	24	28	14.42	3460	2700	2390	2110	1830
1" Dia. copper	1C-2¾ X 4-32	1	14	18	4.48	1076	840	740	660	570
		1	20	24	4.76	1142	890	790	700	610
		1	24	28	4.95	1188	930	820	720	630
		2	20	24	7.07	1696	1320	1170	1030	900
		2	24	28	7.78	1868	1460	1290	1140	990
		3	24	28	8.91	2138	1670	1480	1300	1130
	1C-2¾ X 4-40	1	14	18	5.28	1267	990	870	770	670
		1	20	24	5.75	1379	1080	950	840	730
		1	24	28	6.00	1439	1120	990	880	760
		2	20	24	7.53	1808	1410	1250	1100	960
		2	24	28	8.20	1967	1530	1360	1200	1040
		3	24	28	9.30	2231	1740	1540	1360	1180
	1C-2¾ X 4-48	1	14	18	5.67	1360	1060	940	830	720
		1	20	24	6.46	1551	1210	1070	950	820
		1	24	28	6.98	1676	1310	1160	1020	890
		2	20	24	7.73	1855	1450	1280	1130	980
		2	24	28	8.39	2013	1570	1390	1230	1070
		3	24	28	9.63	2310	1800	1590	1410	1220

*EDR - Equivalent Direct Radiation area (for steam heat) per active (finned) lineal foot of tube.

Important Rating Information Performance ratings based on:

- Installation at height shown. (Lower heights are not recommended. For greater heights, refer to EZselect selection software.)
- Entering air temperature of 65°F. (For other temperatures, refer to EZselect selection software.)

- Steam at nominal 1 (actual 0.9) psig and 215°F. (For other conditions, refer to EZselect selection software.)
- Water average temperature (°F) shown and velocity of 3 fps or more. (For lower velocities, refer to EZselect selection software.)

Performance ratings

Model SBG5/SIBG5; Sloped top enclosure

In BTU/hr per active (finned) lineal foot of tube at entering air temperature of 65°F

Element	Rows of element (on 6-inch centers)	Enclosure height (in inches)	Recommend-ed minimum installed height (in inches)	EDR* (ft ² / ft)	Steam heat	Hot water heat				
					215°F factor of 1.00	190°F factor of 0.78	180°F factor of 0.69	170°F factor of 0.61	160°F factor of 0.53	
Copper finned tubing										
1" Dia. copper	1C-3¼ X 3¼-32	1	14	18	5.21	1250	980	860	760	660
		1	20	24	5.71	1370	1070	950	840	730
		1	24	28	6.00	1440	1120	990	880	760
		2	20	24	7.92	1900	1480	1310	1160	1010
		2	24	28	8.79	2110	1650	1460	1290	1120
		3	24	28	10.08	2420	1890	1670	1480	1280
	1C-3¼ X 3¼-40	1	14	18	5.79	1390	1080	960	850	740
		1	20	24	6.42	1540	1200	1060	940	820
		1	24	28	6.79	1630	1270	1120	990	860
		2	20	24	9.21	2210	1720	1520	1350	1170
		2	24	28	9.50	2280	1780	1570	1390	1210
		3	24	28	10.58	2540	1980	1750	1550	1350
	1C-3¼ X 3¼-48	1	14	18	6.29	1510	1180	1040	920	800
		1	20	24	7.21	1730	1350	1190	1060	920
		1	24	28	7.71	1850	1440	1280	1130	980
		2	20	24	9.50	2280	1780	1570	1390	1210
		2	24	28	9.79	2350	1830	1620	1430	1250
		3	24	28	10.79	2590	2020	1790	1580	1370
1" Dia. copper	1C-4¼ X 4¼-32	1	14	18	6.79	1630	1270	1120	990	860
		1	20	24	7.21	1730	1350	1190	1060	920
		1	24	28	7.50	1800	1400	1240	1100	950
		2	20	24	10.71	2570	2000	1770	1570	1360
		2	24	28	11.79	2830	2210	1950	1730	1500
		3	24	28	13.50	3240	2530	2240	1980	1720
	1C-4¼ X 4¼-40	1	14	18	8.00	1920	1500	1320	1170	1020
		1	20	24	8.71	2090	1630	1440	1270	1110
		1	24	28	9.08	2180	1700	1500	1330	1160
		2	20	24	11.42	2740	2140	1890	1670	1450
		2	24	28	12.42	2980	2320	2060	1820	1580
		3	24	28	14.08	3380	2640	2330	2060	1790
	1C-4¼ X 4¼-48	1	14	18	8.58	2060	1610	1420	1260	1090
		1	20	24	9.79	2350	1830	1620	1430	1250
		1	24	28	10.58	2540	1980	1750	1550	1350
		2	20	24	11.71	2810	2190	1940	1710	1490
		2	24	28	12.71	3050	2380	2100	1860	1620
		3	24	28	14.58	3500	2730	2420	2140	1860

*EDR - Equivalent Direct Radiation area (for steam heat) per active (finned) lineal foot of tube.

Important Rating Information Performance ratings based on:

- Installation at height shown. (Lower heights are not recommended. For greater heights, refer to EZselect selection software.)
- Entering air temperature of 65°F. (For other temperatures, refer to EZselect selection software.)

- Steam at nominal 1 (actual 0.9) psig and 215°F. (For other conditions, refer to EZselect selection software.)
- Water average temperature (°F) shown and velocity of 3 fps or more. (For lower velocities, refer to EZselect selection software.)

Performance ratings

Model SBG5/SIBG5; Sloped top enclosure

In BTU/hr per active (finned) lineal foot of tube at entering air temperature of 65°F

Element	Rows of element (on 6-inch centers)	Enclosure height (in inches)	Recommend- ed minimum installed height (in inches)	EDR* (ft ² / ft)	Steam heat	Hot water heat					
					215°F factor of 1.00	190°F factor of 0.78	180°F factor of 0.69	170°F factor of 0.61	160°F factor of 0.53		
Copper finned tubing											
1/4" Dia. copper	1¼C-2¾ X 4-32	1	14	18	5.61	1346	1050	930	820	710	
		1	20	24	6.41	1538	1200	1060	940	820	
		1	24	28	6.88	1650	1290	1140	1010	870	
		2	20	24	7.59	1822	1420	1260	1110	970	
		2	24	28	8.25	1980	1540	1370	1210	1050	
		1	14	18	4.43	1063	830	730	650	560	
	1¼C-2¾ X 4-40	1	20	24	4.68	1122	880	770	680	590	
		1	24	28	4.90	1175	920	810	720	620	
		2	20	24	6.93	1663	1300	1150	1010	880	
		2	24	28	7.65	1835	1430	1270	1120	970	
		3	24	28	8.77	2105	1640	1450	1280	1120	
		1	14	18	5.23	1254	980	870	760	660	
	1¼C-2¾ X 4-48	1	20	24	5.67	1360	1060	940	830	720	
		1	24	28	5.94	1426	1110	980	870	760	
		2	20	24	7.40	1775	1380	1220	1080	940	
		2	24	28	8.06	1934	1510	1330	1180	1030	
		3	24	28	9.18	2204	1720	1520	1340	1170	
		3	24	28	9.52	2284	1780	1580	1390	1210	
	1/4" Dia. copper	1¼C-3¼ X 3¼-32	1	14	18	4.79	1150	900	790	700	610
			1	20	24	5.50	1320	1030	910	810	700
			1	24	28	5.79	1390	1080	960	850	740
			2	20	24	7.71	1850	1440	1280	1130	980
			2	24	28	8.58	2060	1610	1420	1260	1090
			3	24	28	9.92	2380	1860	1640	1450	1260
1¼C-3¼ X 3¼-40		2	20	24	9.00	2160	1680	1490	1320	1140	
		2	24	28	9.29	2230	1740	1540	1360	1180	
		3	24	28	10.42	2500	1950	1730	1530	1330	
		1	14	18	5.71	1370	1070	950	840	730	
		1	20	24	6.21	1490	1160	1030	910	790	
		1	24	28	6.50	1560	1220	1080	950	830	
1¼C-3¼ X 3¼-48		1	14	18	6.08	1460	1140	1010	890	770	
		1	20	24	7.08	1700	1330	1170	1040	900	
		1	24	28	7.58	1820	1420	1260	1110	960	
		2	20	24	9.29	2230	1740	1540	1360	1180	
		2	24	28	9.58	2300	1790	1590	1400	1220	
		3	24	28	10.71	2570	2000	1770	1570	1360	

*EDR - Equivalent Direct Radiation area (for steam heat) per active (finned) lineal foot of tube.

Important Rating Information Performance ratings based on:

- Installation at height shown. (Lower heights are not recommended. For greater heights, refer to EZselect selection software.)
- Entering air temperature of 65°F. (For other temperatures, refer to EZselect selection software.)

- Steam at nominal 1 (actual 0.9) psig and 215°F. (For other conditions, refer to EZselect selection software.)
- Water average temperature (°F) shown and velocity of 3 fps or more. (For lower velocities, refer to EZselect selection software.)

Performance ratings

Model SBG5/SIBG5; Sloped top enclosure

In BTU/hr per active (finned) lineal foot of tube at entering air temperature of 65°F

Element	Rows of element (on 6-inch centers)	Enclosure height (in inches)	Recommend-ed minimum installed height (in inches)	EDR* (ft ² / ft)	Steam heat	Hot water heat				
					215°F factor of 1.00	190°F factor of 0.78	180°F factor of 0.69	170°F factor of 0.61	160°F factor of 0.53	
Copper finned tubing										
1 1/4" Dia. copper	1 1/4C-4 1/4 X 4 1/4-32	1	14	18	6.71	1610	1260	1110	980	850
		1	20	24	7.08	1700	1330	1170	1040	900
		1	24	28	7.42	1780	1390	1230	1090	940
		2	20	24	10.50	2520	1970	1740	1540	1340
		2	24	28	11.58	2780	2170	1920	1700	1470
		3	24	28	13.29	3190	2490	2200	1950	1690
	1 1/4C-4 1/4 X 4 1/4-40	1	14	18	7.92	1900	1480	1310	1160	1010
		1	20	24	8.58	2060	1610	1420	1260	1090
		1	24	28	9.00	2160	1680	1490	1320	1140
		2	20	24	11.21	2690	2100	1860	1640	1430
		2	24	28	12.21	2930	2290	2020	1790	1550
		3	24	28	13.92	3340	2610	2300	2040	1770
	1 1/4C-4 1/4 X 4 1/4-48	1	14	18	8.50	2040	1590	1410	1240	1080
		1	20	24	9.71	2330	1820	1610	1420	1230
		1	24	28	10.42	2500	1950	1730	1530	1330
		2	20	24	11.50	2760	2150	1900	1680	1460
		2	24	28	12.50	3000	2340	2070	1830	1590
		3	24	28	14.42	3460	2700	2390	2110	1830

*EDR - Equivalent Direct Radiation area (for steam heat) per active (finned) lineal foot of tube.

Important Rating Information Performance ratings based on:

- Installation at height shown. (Lower heights are not recommended. For greater heights, refer to EZselect selection software.)
- Entering air temperature of 65°F. (For other temperatures, refer to EZselect selection software.)
- Steam at nominal 1 (actual 0.9) psig and 215°F. (For other conditions, refer to EZselect selection software.)
- Water average temperature (°F) shown and velocity of 3 fps or more. (For lower velocities, refer to EZselect selection software.)

Performance ratings

Model SBG3/SIBG3; Sloped top enclosure

In BTU/hr per active (finned) lineal foot of tube at entering air temperature of 65°F

Element	Rows of element (on 6-inch centers)	Enclosure height (in inches)	Recommend-ed minimum installed height (in inches)	EDR* (ft ² / ft)	Steam heat	Hot water heat				
					215°F factor of 1.00	190°F factor of 0.78	180°F factor of 0.69	170°F factor of 0.61	160°F factor of 0.53	
Steel finned tubing										
1" Dia. steel	1S-3¼ X 3¼-32	1	08	12	3.29	790	620	550	480	420
		1	11	15	3.50	840	660	580	510	450
		1	14	18	3.71	890	690	610	540	470
		2	14	18	5.00	1200	940	830	730	640
	1S-3¼ X 3¼-40	1	08	12	3.58	860	670	590	520	460
		1	11	15	3.92	940	730	650	570	500
		1	14	18	4.08	980	760	680	600	520
		2	14	18	5.58	1340	1050	920	820	710
	1S-3¼ X 3¼-48	1	08	12	4.08	980	760	680	600	520
		1	11	15	4.42	1060	830	730	650	560
		1	14	18	4.58	1100	860	760	670	580
		2	14	18	6.29	1510	1180	1040	920	800
1¼" Dia. steel	1¼S-3¼ X 3¼-32	1	08	12	3.21	770	600	530	470	410
		1	11	15	3.42	820	640	570	500	430
		1	14	18	3.58	860	670	590	520	460
		2	14	18	4.92	1180	920	810	720	630
	1¼S-3¼ X 3¼-40	1	08	12	3.50	840	660	580	510	450
		1	11	15	3.79	910	710	630	560	480
		1	14	18	4.00	960	750	660	590	510
		2	14	18	5.50	1320	1030	910	810	700
	1¼S-3¼ X 3¼-48	1	08	12	4.00	960	750	660	590	510
		1	11	15	4.29	1030	800	710	630	550
		1	14	18	4.50	1080	840	750	660	570
		2	14	18	6.21	1490	1160	1030	910	790

*EDR - Equivalent Direct Radiation area (for steam heat) per active (finned) lineal foot of tube.

Important Rating Information

- Performance ratings based on:
- Installation at height shown. (Lower heights are not recommended. For greater heights, refer to EZselect selection software.)
 - Entering air temperature of 65°F. (For other temperatures, refer to EZselect selection software.)
 - Steam at nominal 1 (actual 0.9) psig and 215°F. (For other conditions, refer to EZselect selection software.)
 - Water average temperature (°F) shown and velocity of 3 fps or more. (For lower velocities, refer to EZselect selection software.)
 - Contact factory when ordering 1-1/4" copper, 1" steel and 1-1/4" steel elements to ensure proper fit up inside the enclosure.

Performance ratings

Model SBG3/SIBG3; Sloped top enclosure

In BTU/hr per active (finned) lineal foot of tube at entering air temperature of 65°F

Element	Rows of element (on 6-inch centers)	Enclosure height (in inches)	Recommend-ed minimum installed height (in inches)	EDR* (ft ² / ft)	Steam heat	Hot water heat				
					215°F factor of 1.00	190°F factor of 0.78	180°F factor of 0.69	170°F factor of 0.61	160°F factor of 0.53	
Copper finned tubing										
¾" Dia. copper	¾C-2¾ X 4-32	1	08	12	4.42	1060	830	730	650	560
		1	11	15	4.71	1130	880	780	690	600
		1	14	18	5.00	1200	940	830	730	640
		2	14	18	6.79	1630	1270	1120	990	860
	¾C-2¾ X 4-40	1	08	12	4.79	1150	900	790	700	610
		1	11	15	5.17	1240	970	860	760	660
		1	14	18	5.50	1320	1030	910	810	700
		2	14	18	7.50	1800	1400	1240	1100	950
	¾C-2¾ X 4-48	1	08	12	5.17	1240	970	860	760	660
		1	11	15	5.67	1360	1060	940	830	720
		1	14	18	6.00	1440	1120	990	880	760
		2	14	18	8.21	1970	1540	1360	1200	1040
¾" Dia. copper	¾C-3¼ X 3¼-32	1	08	12	4.21	1010	790	700	620	540
		1	11	15	4.50	1080	840	750	660	570
		1	14	18	4.71	1130	880	780	690	600
		2	14	18	6.42	1540	1200	1060	940	820
	¾C-3¼ X 3¼-40	1	08	12	4.50	1080	840	750	660	570
		1	11	15	4.92	1180	920	810	720	630
		1	14	18	5.21	1250	980	860	760	660
		2	14	18	7.08	1700	1330	1170	1040	900
	¾C-3¼ X 3¼-48	1	08	12	5.00	1200	940	830	730	640
		1	11	15	5.42	1300	1010	900	790	690
		1	14	18	5.71	1370	1070	950	840	730
		2	14	18	7.92	1900	1480	1310	1160	1010
1" Dia. copper	1C-2¾ X 4-32	1	08	12	4.29	1030	800	710	630	550
		1	11	15	4.58	1100	860	760	670	580
		1	14	18	4.92	1180	920	810	720	630
		2	14	18	6.71	1610	1260	1110	980	850
	1C-2¾ X 4-40	1	08	12	4.71	1130	880	780	690	600
		1	11	15	5.08	1220	950	840	740	650
		1	14	18	5.42	1300	1010	900	790	690
		2	14	18	7.42	1780	1390	1230	1090	940
	1C-2¾ X 4-48	1	08	12	5.08	1220	950	840	740	650
		1	11	15	5.58	1340	1050	920	820	710
		1	14	18	5.92	1420	1110	980	870	750
		2	14	18	8.08	1940	1510	1340	1180	1030

*EDR - Equivalent Direct Radiation area (for steam heat) per active (finned) lineal foot of tube.

Important Rating Information Performance ratings based on:

- Installation at height shown. (Lower heights are not recommended. For greater heights, refer to EZselect selection software.)
- Entering air temperature of 65°F. (For other temperatures, refer to EZselect selection software.)
- Steam at nominal 1 (actual 0.9) psig and 215°F. (For other conditions, refer to EZselect selection software.)

- Water average temperature (°F) shown and velocity of 3 fps or more. (For lower velocities, refer to EZselect selection software.)
- Contact factory when ordering 1-1/4" copper, 1" steel and 1-1/4" steel elements to ensure proper fit up inside the enclosure.

Performance ratings

Model SBG3/SIBG3; Sloped top enclosure

In BTU/hr per active (finned) lineal foot of tube at entering air temperature of 65°F

Element	Rows of element (on 6-inch centers)	Enclosure height (in inches)	Recommend- ed minimum installed height (in inches)	EDR* (ft ² / ft)	Steam heat	Hot water heat				
					215°F factor of 1.00	190°F factor of 0.78	180°F factor of 0.69	170°F factor of 0.61	160°F factor of 0.53	
Copper finned tubing										
1" Dia. copper	1C-3¼ X 3¼-32	1	08	12	4.08	980	760	680	600	520
		1	11	15	4.42	1060	830	730	650	560
		1	14	18	4.71	1130	880	780	690	600
		2	14	18	6.42	1540	1200	1060	940	820
	1C-3¼ X 3¼-40	1	08	12	4.50	1080	840	750	660	570
		1	11	15	4.92	1180	920	810	720	630
		1	14	18	5.21	1250	980	860	760	660
		2	14	18	7.08	1700	1330	1170	1040	900
	1C-3¼ X 3¼-48	1	08	12	5.00	1200	940	830	730	640
		1	11	15	5.42	1300	1010	900	790	690
		1	14	18	5.71	1370	1070	950	840	730
		2	14	18	7.79	1870	1460	1290	1140	990
1¼" Dia. copper	1¼C-2¾ X 4-32	1	08	12	4.08	980	760	680	600	520
		1	11	15	4.42	1060	830	730	650	560
		1	14	18	4.71	1130	880	780	690	600
		2	14	18	6.42	1540	1200	1060	940	820
	1¼C-2¾ X 4-40	1	08	12	4.58	1100	860	760	670	580
		1	11	15	4.92	1180	920	810	720	630
		1	14	18	5.21	1250	980	860	760	660
		2	14	18	7.08	1700	1330	1170	1040	900
	1¼C-2¾ X 4-48	1	08	12	5.00	1200	940	830	730	640
		1	11	15	5.42	1300	1010	900	790	690
		1	14	18	5.71	1370	1070	950	840	730
		2	14	18	7.79	1870	1460	1290	1140	990
1¼" Dia. copper	1¼C-3¼ X 3¼-32	1	08	12	3.58	860	670	590	520	460
		1	11	15	3.92	940	730	650	570	500
		1	14	18	4.08	980	760	680	600	520
		2	14	18	5.58	1340	1050	920	820	710
	1¼C-3¼ X 3¼-40	1	08	12	4.50	1080	840	750	660	570
		1	11	15	4.79	1150	900	790	700	610
		1	14	18	5.08	1220	950	840	740	650
		2	14	18	7.00	1680	1310	1160	1020	890
	1¼C-3¼ X 3¼-48	1	08	12	4.92	1180	920	810	720	630
		1	11	15	5.29	1270	990	880	770	670
		1	14	18	5.58	1340	1050	920	820	710
		2	14	18	7.71	1850	1440	1280	1130	980

*EDR - Equivalent Direct Radiation area (for steam heat) per active (finned) lineal foot of tube.

Important Rating Information Performance ratings based on:

- Installation at height shown. (Lower heights are not recommended. For greater heights, refer to EZselect selection software.)
- Entering air temperature of 65°F. (For other temperatures, refer to EZselect selection software.)
- Steam at nominal 1 (actual 0.9) psig and 215°F. (For other conditions, refer to EZselect selection software.)

- Water average temperature (°F) shown and velocity of 3 fps or more. (For lower velocities, refer to EZselect selection software.)
- Contact factory when ordering 1-1/4" copper, 1" steel and 1-1/4" steel elements to ensure proper fit up inside the enclosure.

Performance ratings

Model SBGVL5/SIBGVL5;
Sloped top enclosure

In BTU/hr per active (finned) lineal foot of tube at entering air temperature of 65°F

Element	Rows of element (on 6-inch centers)	Enclosure height (in inches)	Recommend- ed minimum installed height (in inches)	EDR* (ft ² / ft)	Steam heat	Hot water heat				
					215°F factor of 1.00	190°F factor of 0.78	180°F factor of 0.69	170°F factor of 0.61	160°F factor of 0.53	
Steel finned tubing										
1" Dia. steel	1S-3¼ X 3¼-32	1	14	18	3.57	858	670	590	520	450
		1	20	24	3.68	884	690	610	540	470
		1	24	28	3.86	928	720	640	570	490
		2	20	24	5.51	1321	1030	910	810	700
		2	24	28	5.76	1383	1080	950	840	730
		3	24	28	6.74	1619	1260	1120	990	860
	1S-3¼ X 3¼-40	1	14	18	4.01	963	750	660	590	510
		1	20	24	4.30	1034	810	710	630	550
		1	24	28	4.45	1068	830	740	650	570
		2	20	24	6.05	1453	1130	1000	890	770
		2	24	28	6.38	1531	1190	1060	930	810
		3	24	28	7.36	1768	1380	1220	1080	940
	1S-3¼ X 3¼-48	1	14	18	4.45	1068	830	740	650	570
		1	20	24	4.99	1199	940	830	730	640
		1	24	28	5.18	1243	970	860	760	660
		2	20	24	6.74	1619	1260	1120	990	860
		2	24	28	7.00	1680	1310	1160	1020	890
		3	24	28	8.06	1934	1510	1330	1180	1020
1" Dia. steel	1S-4¼ X 4¼-32	1	14	18	5.18	1243	970	860	760	660
		1	20	24	5.32	1278	1000	880	780	680
		1	24	28	5.51	1321	1030	910	810	700
		2	20	24	8.06	1934	1510	1330	1180	1020
		2	24	28	8.39	2013	1570	1390	1230	1070
		3	24	28	9.63	2310	1800	1590	1410	1220
	1S-4¼ X 4¼-40	1	14	18	5.76	1383	1080	950	840	730
		1	20	24	6.20	1488	1160	1030	910	790
		1	24	28	6.49	1558	1210	1070	950	830
		2	20	24	8.82	2118	1650	1460	1290	1120
		2	24	28	9.19	2205	1720	1520	1350	1170
		3	24	28	10.50	2520	1970	1740	1540	1340
	1S-4¼ X 4¼-48	1	14	18	6.56	1575	1230	1090	960	830
		1	20	24	7.36	1768	1380	1220	1080	940
		1	24	28	7.51	1803	1410	1240	1100	960
		2	20	24	9.70	2328	1820	1610	1420	1230
		2	24	28	10.06	2415	1880	1670	1470	1280
		3	24	28	11.63	2791	2180	1930	1700	1480

*EDR - Equivalent Direct Radiation area (for steam heat) per active (finned) lineal foot of tube.

Important Rating Information Performance ratings based on:

- Installation at height shown. (Lower heights are not recommended. For greater heights, refer to EZselect selection software.)
- Entering air temperature of 65°F. (For other temperatures, refer to EZselect selection software.)
- Steam at nominal 1 (actual 0.9) psig and 215°F. (For other conditions, refer to EZselect selection software.)

- Water average temperature (°F) shown and velocity of 3 fps or more. (For lower velocities, refer to EZselect selection software.)
- Contact factory when ordering 1-1/4" copper, 1" steel and 1-1/4" steel elements to ensure proper fit up inside the enclosure.

Performance ratings

Model SBGVL5/SIBGVL5; Sloped top enclosure

In BTU/hr per active (finned) lineal foot of tube at entering air temperature of 65°F

Element	Rows of element (on 6-inch centers)	Enclosure height (in inches)	Recommend- ed minimum installed height (in inches)	EDR* (ft ² / ft)	Steam heat	Hot water heat				
					215°F factor of 1.00	190°F factor of 0.78	180°F factor of 0.69	170°F factor of 0.61	160°F factor of 0.53	
Steel finned tubing										
1 1/4" Dia. steel	1 1/4S-3 1/4 X 3 1/4-32	1	14	18	3.50	840	660	580	510	450
		1	20	24	3.57	858	670	590	520	450
		1	24	28	3.76	901	700	620	550	480
		2	20	24	5.43	1304	1020	900	800	690
		2	24	28	5.69	1365	1060	940	830	720
		3	24	28	6.56	1575	1230	1090	960	830
	1 1/4S-3 1/4 X 3 1/4-40	1	14	18	3.94	945	740	650	580	500
		1	20	24	4.19	1006	780	690	610	530
		1	24	28	4.38	1050	820	720	640	560
		2	20	24	5.94	1426	1110	980	870	760
		2	24	28	6.20	1488	1160	1030	910	790
		3	24	28	7.18	1724	1340	1190	1050	910
	1 1/4S-3 1/4 X 3 1/4-48	1	14	18	4.38	1050	820	720	640	560
		1	20	24	4.89	1173	910	810	720	620
		1	24	28	5.07	1216	950	840	740	640
		2	20	24	6.56	1575	1230	1090	960	830
		2	24	28	6.82	1636	1280	1130	1000	870
		3	24	28	7.88	1890	1470	1300	1150	1000
1 1/4" Dia. steel	1 1/4S-4 1/4 X 4 1/4-32	1	14	18	5.07	1216	950	840	740	640
		1	20	24	5.25	1260	980	870	770	670
		1	24	28	5.43	1304	1020	900	800	690
		2	20	24	7.88	1890	1470	1300	1150	1000
		2	24	28	8.24	1978	1540	1360	1210	1050
		3	24	28	9.44	2266	1770	1560	1380	1200
	1 1/4S-4 1/4 X 4 1/4-40	1	14	18	5.69	1365	1060	940	830	720
		1	20	24	6.13	1470	1150	1010	900	780
		1	24	28	6.31	1514	1180	1040	920	800
		2	20	24	8.68	2083	1620	1440	1270	1100
		2	24	28	9.01	2161	1690	1490	1320	1150
		3	24	28	10.32	2476	1930	1710	1510	1310
	1 1/4S-4 1/4 X 4 1/4-48	1	14	18	6.38	1531	1190	1060	930	810
		1	20	24	7.18	1724	1340	1190	1050	910
		1	24	28	7.36	1768	1380	1220	1080	940
		2	20	24	9.55	2293	1790	1580	1400	1220
		2	24	28	9.88	2371	1850	1640	1450	1260
		3	24	28	11.38	2730	2130	1880	1670	1450

*EDR - Equivalent Direct Radiation area (for steam heat) per active (finned) lineal foot of tube.

Important Rating Information Performance ratings based on:

- Installation at height shown. (Lower heights are not recommended. For greater heights, refer to EZselect selection software.)
- Entering air temperature of 65°F. (For other temperatures, refer to EZselect selection software.)
- Steam at nominal 1 (actual 0.9) psig and 215°F. (For other conditions, refer to EZselect selection software.)

- Water average temperature (°F) shown and velocity of 3 fps or more. (For lower velocities, refer to EZselect selection software.)
- Contact factory when ordering 1-1/4" copper, 1" steel and 1-1/4" steel elements to ensure proper fit up inside the enclosure.

Performance ratings

Model SBGVL5/SIBGVL5; Sloped top enclosure

In BTU/hr per active (finned) lineal foot of tube at entering air temperature of 65°F

Element	Rows of element (on 6-inch centers)	Enclosure height (in inches)	Recommend- ed minimum installed height (in inches)	EDR* (ft ² / ft)	Steam heat	Hot water heat				
					215°F factor of 1.00	190°F factor of 0.78	180°F factor of 0.69	170°F factor of 0.61	160°F factor of 0.53	
Steel finned tubing										
2" Dia. steel	2S-4¼ X 4¼-32	1	14	18	5.07	1216	950	840	740	640
		1	20	24	5.10	1225	960	850	750	650
		1	24	28	5.43	1304	1020	900	800	690
		2	20	24	7.69	1846	1440	1270	1130	980
		2	24	28	7.95	1908	1490	1320	1160	1010
	2S-4¼ X 4¼-40	3	24	28	9.19	2205	1720	1520	1350	1170
		1	14	18	5.69	1365	1060	940	830	720
		1	20	24	6.05	1453	1130	1000	890	770
		1	24	28	6.31	1513	1180	1040	920	800
		2	20	24	8.31	1995	1560	1380	1220	1060
	2S-4¼ X 4¼-48	2	24	28	8.75	2100	1640	1450	1280	1110
		3	24	28	10.06	2415	1880	1670	1470	1280
		1	14	18	6.38	1531	1190	1060	930	810
		1	20	24	6.93	1663	1300	1150	1010	880
		1	24	28	7.36	1768	1380	1220	1080	940
		2	20	24	8.93	2144	1670	1480	1310	1140
		2	24	28	9.44	2266	1770	1560	1380	1200
		3	24	28	10.86	2608	2030	1800	1590	1380

*EDR - Equivalent Direct Radiation area (for steam heat) per active (finned) lineal foot of tube.

Important Rating Information Performance ratings based on:

- Installation at height shown. (Lower heights are not recommended. For greater heights, refer to EZselect selection software.)
- Entering air temperature of 65°F. (For other temperatures, refer to EZselect selection software.)
- Steam at nominal 1 (actual 0.9) psig and 215°F. (For other conditions, refer to EZselect selection software.)

- Water average temperature (°F) shown and velocity of 3 fps or more. (For lower velocities, refer to EZselect selection software.)
- Contact factory when ordering 1-1/4" copper, 1" steel and 1-1/4" steel elements to ensure proper fit up inside the enclosure.

Performance ratings

Model SBGVL5/SIBGVL5; Sloped top enclosure

In BTU/hr per active (finned) lineal foot of tube at entering air temperature of 65°F

Element	Rows of element (on 6-inch centers)	Enclosure height (in inches)	Recommend- ed minimum installed height (in inches)	EDR* (ft ² / ft)	Steam heat	Hot water heat				
					215°F factor of 1.00	190°F factor of 0.78	180°F factor of 0.69	170°F factor of 0.61	160°F factor of 0.53	
Copper finned tubing										
3/4" Dia. copper	3/4C-2 3/4 X 4-32	1	14	18	4.00	959	750	660	580	510
		1	20	24	4.21	1010	790	700	620	540
		1	24	28	4.45	1068	830	740	650	570
		2	20	24	6.30	1513	1180	1040	920	800
		2	24	28	6.93	1663	1300	1150	1010	880
		3	24	28	7.97	1912	1490	1320	1170	1010
	3/4C-2 3/4 X 4-40	1	14	18	4.74	1138	890	780	690	600
		1	20	24	5.15	1236	960	850	750	650
		1	24	28	5.37	1288	1000	890	790	680
		2	20	24	6.69	1606	1250	1110	980	850
		2	24	28	7.27	1744	1360	1200	1060	920
		3	24	28	8.33	1999	1560	1380	1220	1060
	3/4C-2 3/4 X 4-48	1	14	18	5.08	1219	950	840	740	650
		1	20	24	5.78	1386	1080	960	850	730
		1	24	28	6.23	1495	1170	1030	910	790
		2	20	24	6.88	1652	1290	1140	1010	880
		2	24	28	7.51	1802	1410	1240	1100	950
		3	24	28	8.62	2068	1610	1430	1260	1100
3/4" Dia. copper	3/4C-3 1/4 X 3 1/4-32	1	14	18	4.63	1111	870	770	680	590
		1	20	24	5.07	1216	950	840	740	640
		1	24	28	5.32	1278	1000	880	780	680
		2	20	24	7.07	1698	1320	1170	1040	900
		2	24	28	7.88	1890	1470	1300	1150	1000
		3	24	28	9.01	2161	1690	1490	1320	1150
	3/4C-3 1/4 X 3 1/4-40	1	14	18	5.18	1243	970	860	760	660
		1	20	24	5.69	1365	1060	940	830	720
		1	24	28	6.05	1453	1130	1000	890	770
		2	20	24	8.24	1978	1540	1360	1210	1050
		2	24	28	8.49	2039	1590	1410	1240	1080
		3	24	28	9.37	2249	1750	1550	1370	1190
	3/4C-3 1/4 X 3 1/4-48	1	14	18	5.61	1348	1050	930	820	710
		1	20	24	6.49	1558	1210	1070	950	830
		1	24	28	6.93	1663	1300	1150	1010	880
		2	20	24	8.49	2039	1590	1410	1240	1080
		2	24	28	8.75	2100	1640	1450	1280	1110
		3	24	28	9.63	2310	1800	1590	1410	1220

*EDR - Equivalent Direct Radiation area (for steam heat) per active (finned) lineal foot of tube.

Important Rating Information Performance ratings based on:

- Installation at height shown. (Lower heights are not recommended. For greater heights, refer to EZselect selection software.)
- Entering air temperature of 65°F. (For other temperatures, refer to EZselect selection software.)

- Steam at nominal 1 (actual 0.9) psig and 215°F. (For other conditions, refer to EZselect selection software.)
- Water average temperature (°F) shown and velocity of 3 fps or more. (For lower velocities, refer to EZselect selection software.)

Performance ratings

Model SBGVL5/SIBGVL5;
Sloped top enclosure

In BTU/hr per active (finned) lineal foot of tube at entering air temperature of 65°F

Element	Rows of element (on 6-inch centers)	Enclosure height (in inches)	Recommend-ed minimum installed height (in inches)	EDR* (ft ² / ft)	Steam heat	Hot water heat				
					215°F factor of 1.00	190°F factor of 0.78	180°F factor of 0.69	170°F factor of 0.61	160°F factor of 0.53	
Copper finned tubing										
¾" Dia. copper	¾C-4¼ X 4¼-32	1	14	18	6.05	1453	1130	1000	890	770
		1	20	24	6.38	1531	1190	1060	930	810
		1	24	28	6.74	1619	1260	1120	990	860
		2	20	24	9.55	2293	1790	1580	1400	1220
		2	24	28	10.50	2520	1970	1740	1540	1340
		3	24	28	12.07	2896	2260	2000	1770	1540
	¾C-4¼ X 4¼-40	1	14	18	7.18	1724	1340	1190	1050	910
		1	20	24	7.80	1873	1460	1290	1140	990
		1	24	28	8.13	1951	1520	1350	1190	1030
		2	20	24	10.14	2433	1900	1680	1480	1290
		2	24	28	11.01	2643	2060	1820	1610	1400
		3	24	28	12.61	3028	2360	2090	1850	1600
	¾C-4¼ X 4¼-48	1	14	18	7.69	1847	1440	1270	1130	980
		1	20	24	8.75	2100	1640	1450	1280	1110
		1	24	28	9.44	2266	1770	1560	1380	1200
		2	20	24	10.43	2503	1950	1730	1530	1330
		2	24	28	11.38	2730	2130	1880	1670	1450
		3	24	28	13.05	3133	2440	2160	1910	1660
1" Dia. copper	1C-2¾ X 4-32	1	14	18	3.92	942	730	650	570	500
		1	20	24	4.16	999	780	690	610	530
		1	24	28	4.33	1040	810	720	630	550
		2	20	24	6.18	1484	1160	1020	910	790
		2	24	28	6.81	1635	1270	1130	1000	870
		3	24	28	7.79	1871	1460	1290	1140	990
	1C-2¾ X 4-40	1	14	18	4.62	1109	860	760	680	590
		1	20	24	5.03	1207	940	830	740	640
		1	24	28	5.25	1259	980	870	770	670
		2	20	24	6.59	1582	1230	1090	970	840
		2	24	28	7.17	1721	1340	1190	1050	910
		3	24	28	8.13	1952	1520	1350	1190	1030
	1C-2¾ X 4-48	1	14	18	4.96	1190	930	820	730	630
		1	20	24	5.65	1357	1060	940	830	720
		1	24	28	6.11	1467	1140	1010	890	780
		2	20	24	6.76	1623	1270	1120	990	860
		2	24	28	7.34	1761	1370	1220	1070	930
		3	24	28	8.42	2021	1580	1390	1230	1070

*EDR - Equivalent Direct Radiation area (for steam heat) per active (finned) lineal foot of tube.

Important Rating Information Performance ratings based on:

- Installation at height shown. (Lower heights are not recommended. For greater heights, refer to EZselect selection software.)
- Entering air temperature of 65°F. (For other temperatures, refer to EZselect selection software.)

- Steam at nominal 1 (actual 0.9) psig and 215°F. (For other conditions, refer to EZselect selection software.)
- Water average temperature (°F) shown and velocity of 3 fps or more. (For lower velocities, refer to EZselect selection software.)

Performance ratings

Model SBGVL5/SIBGVL5; Sloped top enclosure

In BTU/hr per active (finned) lineal foot of tube at entering air temperature of 65°F

Element	Rows of element (on 6-inch centers)	Enclosure height (in inches)	Recommend- ed minimum installed height (in inches)	EDR* (ft ² / ft)	Steam heat	Hot water heat				
					215°F factor of 1.00	190°F factor of 0.78	180°F factor of 0.69	170°F factor of 0.61	160°F factor of 0.53	
Copper finned tubing										
1" Dia. copper	1C-3¼ X 3¼-32	1	14	18	4.56	1094	850	750	670	580
		1	20	24	4.99	1199	940	830	730	640
		1	24	28	5.25	1260	980	870	770	670
		2	20	24	6.93	1663	1300	1150	1010	880
		2	24	28	7.69	1846	1440	1270	1130	980
		3	24	28	8.82	2118	1650	1460	1290	1120
	1C-3¼ X 3¼-40	1	14	18	5.07	1216	950	840	740	640
		1	20	24	5.61	1348	1050	930	820	710
		1	24	28	5.94	1426	1110	980	870	760
		2	20	24	8.06	1934	1510	1330	1180	1020
		2	24	28	8.31	1995	1560	1380	1220	1060
		3	24	28	9.26	2223	1730	1530	1360	1180
	1C-3¼ X 3¼-48	1	14	18	5.51	1321	1030	910	810	700
		1	20	24	6.31	1514	1180	1040	920	800
		1	24	28	6.74	1619	1260	1120	990	860
		2	20	24	8.31	1995	1560	1380	1220	1060
		2	24	28	8.57	2056	1600	1420	1250	1090
		3	24	28	9.44	2266	1770	1560	1380	1200
1" Dia. copper	1C-4¼ X 4¼-32	1	14	18	5.94	1426	1110	980	870	760
		1	20	24	6.31	1514	1180	1040	920	800
		1	24	28	6.56	1575	1230	1090	960	830
		2	20	24	9.37	2249	1750	1550	1370	1190
		2	24	28	10.32	2476	1930	1710	1510	1310
		3	24	28	11.81	2835	2210	1960	1730	1500
	1C-4¼ X 4¼-40	1	14	18	7.00	1680	1310	1160	1020	890
		1	20	24	7.62	1829	1430	1260	1120	970
		1	24	28	7.95	1908	1490	1320	1160	1010
		2	20	24	9.99	2398	1870	1650	1460	1270
		2	24	28	10.86	2608	2030	1800	1590	1380
		3	24	28	12.32	2958	2310	2040	1800	1570
	1C-4¼ X 4¼-48	1	14	18	7.51	1803	1410	1240	1100	960
		1	20	24	8.57	2056	1600	1420	1250	1090
		1	24	28	9.26	2223	1730	1530	1360	1180
		2	20	24	10.24	2459	1920	1700	1500	1300
		2	24	28	11.12	2669	2080	1840	1630	1410
		3	24	28	12.76	3063	2390	2110	1870	1620

*EDR - Equivalent Direct Radiation area (for steam heat) per active (finned) lineal foot of tube.

Important Rating Information Performance ratings based on:

- Installation at height shown. (Lower heights are not recommended. For greater heights, refer to EZselect selection software.)
- Entering air temperature of 65°F. (For other temperatures, refer to EZselect selection software.)

- Steam at nominal 1 (actual 0.9) psig and 215°F. (For other conditions, refer to EZselect selection software.)
- Water average temperature (°F) shown and velocity of 3 fps or more. (For lower velocities, refer to EZselect selection software.)

Performance ratings

Model SBGVL5/SIBGVL5;
Sloped top enclosure

In BTU/hr per active (finned) lineal foot of tube at entering air temperature of 65°F

Element	Rows of element (on 6-inch centers)	Enclosure height (in inches)	Recommend- ed minimum installed height (in inches)	EDR* (ft ² / ft)	Steam heat	Hot water heat				
					215°F factor of 1.00	190°F factor of 0.78	180°F factor of 0.69	170°F factor of 0.61	160°F factor of 0.53	
Copper finned tubing										
1/4" Dia. copper	1 1/4C-2 3/4 X 4-32	1	14	18	3.88	930	730	640	570	490
		1	20	24	4.09	982	770	680	600	520
		1	24	28	4.28	1028	800	710	630	540
		2	20	24	6.06	1455	1130	1000	890	770
		2	24	28	6.69	1606	1250	1110	980	850
		3	24	28	7.67	1843	1440	1270	1120	980
	1 1/4C-2 3/4 X 4-40	1	14	18	4.57	1097	860	760	670	580
		1	20	24	4.96	1190	930	820	730	630
		1	24	28	5.20	1248	970	860	760	660
		2	20	24	6.47	1553	1210	1070	950	820
		2	24	28	7.05	1692	1320	1170	1030	900
		3	24	28	8.04	1929	1500	1330	1180	1020
	1 1/4C-2 3/4 X 4-48	1	14	18	4.91	1178	920	810	720	620
		1	20	24	5.61	1346	1050	930	820	710
		1	24	28	6.02	1444	1130	1000	880	770
		2	20	24	6.64	1594	1240	1100	970	840
		2	24	28	7.22	1733	1350	1200	1060	920
		3	24	28	8.33	1999	1560	1380	1220	1060
1/4" Dia. copper	1 1/4C-3 1/4 X 3 1/4-32	1	14	18	4.19	1006	780	690	610	530
		1	20	24	4.81	1155	900	800	700	610
		1	24	28	5.07	1216	950	840	740	640
		2	20	24	6.74	1619	1260	1120	990	860
		2	24	28	7.51	1803	1410	1240	1100	960
		3	24	28	8.68	2083	1620	1440	1270	1100
	1 1/4C-3 1/4 X 3 1/4-40	1	14	18	4.99	1199	940	830	730	640
		1	20	24	5.43	1304	1020	900	800	690
		1	24	28	5.69	1365	1060	940	830	720
		2	20	24	7.88	1890	1470	1300	1150	1000
		2	24	28	8.13	1951	1520	1350	1190	1030
		3	24	28	9.11	2188	1710	1510	1330	1160
	1 1/4C-3 1/4 X 3 1/4-48	1	14	18	5.32	1278	1000	880	780	680
		1	20	24	6.20	1488	1160	1030	910	790
		1	24	28	6.64	1593	1240	1100	970	840
		2	20	24	8.13	1951	1520	1350	1190	1030
		2	24	28	8.39	2013	1570	1390	1230	1070
		3	24	28	9.37	2249	1750	1550	1370	1190

*EDR - Equivalent Direct Radiation area (for steam heat) per active (finned) lineal foot of tube.

Important Rating Information Performance ratings based on:

- Installation at height shown. (Lower heights are not recommended. For greater heights, refer to EZselect selection software.)
- Entering air temperature of 65°F. (For other temperatures, refer to EZselect selection software.)

- Steam at nominal 1 (actual 0.9) psig and 215°F. (For other conditions, refer to EZselect selection software.)
- Water average temperature (°F) shown and velocity of 3 fps or more. (For lower velocities, refer to EZselect selection software.)

Performance ratings

Model SBGVL5/SIBGVL5; Sloped top enclosure

In BTU/hr per active (finned) lineal foot of tube at entering air temperature of 65°F

Element	Rows of element (on 6-inch centers)	Enclosure height (in inches)	Recommend- ed minimum installed height (in inches)	EDR* (ft ² / ft)	Steam heat	Hot water heat				
					215°F factor of 1.00	190°F factor of 0.78	180°F factor of 0.69	170°F factor of 0.61	160°F factor of 0.53	
Copper finned tubing										
1 1/4" Dia. copper	1 1/4C-4 1/4 X 4 1/4-32	1	14	18	5.87	1409	1100	970	860	750
		1	20	24	6.20	1488	1160	1030	910	790
		1	24	28	6.49	1558	1210	1070	950	830
		2	20	24	9.19	2205	1720	1520	1350	1170
		2	24	28	10.14	2433	1900	1680	1480	1290
		3	24	28	11.63	2791	2180	1930	1700	1480
	1 1/4C-4 1/4 X 4 1/4-40	1	14	18	6.93	1663	1300	1150	1010	880
		1	20	24	7.51	1803	1410	1240	1100	960
		1	24	28	7.88	1890	1470	1300	1150	1000
		2	20	24	9.81	2354	1840	1620	1440	1250
		2	24	28	10.68	2564	2000	1770	1560	1360
		3	24	28	12.18	2923	2280	2020	1780	1550
	1 1/4C-4 1/4 X 4 1/4-48	1	14	18	7.44	1785	1390	1230	1090	950
		1	20	24	8.49	2039	1590	1410	1240	1080
		1	24	28	9.11	2188	1710	1510	1330	1160
		2	20	24	10.06	2415	1880	1670	1470	1280
		2	24	28	10.94	2625	2050	1810	1600	1390
		3	24	28	12.61	3028	2360	2090	1850	1600

*EDR - Equivalent Direct Radiation area (for steam heat) per active (finned) lineal foot of tube.

Important Rating Information Performance ratings based on:

- Installation at height shown. (Lower heights are not recommended. For greater heights, refer to EZselect selection software.)
- Entering air temperature of 65°F. (For other temperatures, refer to EZselect selection software.)

- Steam at nominal 1 (actual 0.9) psig and 215°F. (For other conditions, refer to EZselect selection software.)
- Water average temperature (°F) shown and velocity of 3 fps or more. (For lower velocities, refer to EZselect selection software.)

Performance ratings

Model SBGVL3/SIBGVL3; Low profile, sloped top enclosure

In BTU/hr per active (finned) lineal foot of tube at entering air temperature of 65°F

Element	Rows of element (on 6-inch centers)	Enclosure height (in inches)	Recommend- ed minimum installed height (in inches)	EDR* (ft ² / ft)	Steam heat	Hot water heat				
					215°F factor of 1.00	190°F factor of 0.78	180°F factor of 0.69	170°F factor of 0.61	160°F factor of 0.53	
Steel finned tubing										
1" Dia. steel	1S-3/4 X 3/4-32	1	08	12	2.88	691	540	480	420	370
		1	11	15	3.06	735	570	510	450	390
		1	14	18	3.24	779	610	540	480	410
		2	14	18	4.38	1050	820	720	640	560
	1S-3/4 X 3/4-40	1	08	12	3.14	753	590	520	460	400
		1	11	15	3.43	823	640	570	500	440
		1	14	18	3.57	858	670	590	520	450
		2	14	18	4.89	1173	910	810	720	620
	1S-3/4 X 3/4-48	1	08	12	3.57	858	670	590	520	450
		1	11	15	3.86	928	720	640	570	490
		1	14	18	4.01	963	750	660	590	510
		2	14	18	5.51	1321	1030	910	810	700
1 1/4" Dia. steel	1 1/4S-3/4 X 3/4-32	1	08	12	2.81	674	530	460	410	360
		1	11	15	2.99	718	560	500	440	380
		1	14	18	3.14	753	590	520	460	400
		2	14	18	4.30	1033	810	710	630	550
	1 1/4S-3/4 X 3/4-40	1	08	12	3.06	735	570	510	450	390
		1	11	15	3.32	797	620	550	490	420
		1	14	18	3.50	840	660	580	510	450
		2	14	18	4.81	1155	900	800	700	610
	1 1/4S-3/4 X 3/4-48	1	08	12	3.50	840	660	580	510	450
		1	11	15	3.76	901	700	620	550	480
		1	14	18	3.94	945	740	650	580	500
		2	14	18	5.43	1304	1020	900	800	690

*EDR - Equivalent Direct Radiation area (for steam heat) per active (finned) lineal foot of tube.

Important Rating Information Performance ratings based on:

- Installation at height shown. (Lower heights are not recommended. For greater heights, refer to EZselect selection software.)
- Entering air temperature of 65°F. (For other temperatures, refer to EZselect selection software.)
- Steam at nominal 1 (actual 0.9) psig and 215°F. (For other conditions, refer to EZselect selection software.)
- Water average temperature (°F) shown and velocity of 3 fps or more. (For lower velocities, refer to EZselect selection software.)
- Contact factory when ordering 1-1/4" copper, 1" steel and 1-1/4" steel elements to ensure proper fit up inside the enclosure.

Performance ratings

Model SBGVL3/SIBGVL3; Low profile, sloped top enclosure

In BTU/hr per active (finned) lineal foot of tube at entering air temperature of 65°F

Element	Rows of element (on 6-inch centers)	Enclosure height (in inches)	Recommend- ed minimum installed height (in inches)	EDR* (ft ² / ft)	Steam heat	Hot water heat				
					215°F factor of 1.00	190°F factor of 0.78	180°F factor of 0.69	170°F factor of 0.61	160°F factor of 0.53	
Copper finned tubing										
¾" Dia. copper	¾C-2¾ X 4-32	1	08	12	3.86	928	720	640	570	490
		1	11	15	4.12	989	770	680	600	520
		1	14	18	4.38	1050	820	720	640	560
		2	14	18	5.94	1426	1110	980	870	760
	¾C-2¾ X 4-40	1	08	12	4.19	1006	780	690	610	530
		1	11	15	4.52	1085	850	750	660	580
		1	14	18	4.81	1155	900	800	700	610
		2	14	18	6.56	1575	1230	1090	960	830
	¾C-2¾ X 4-48	1	08	12	4.52	1085	850	750	660	580
		1	11	15	4.96	1190	930	820	730	630
		1	14	18	5.25	1260	980	870	770	670
		2	14	18	7.18	1724	1340	1190	1050	910
¾" Dia. copper	¾C-3¼ X 3¼-32	1	08	12	3.68	884	690	610	540	470
		1	11	15	3.94	945	740	650	580	500
		1	14	18	4.12	989	770	680	600	520
		2	14	18	5.61	1348	1050	930	820	710
	¾C-3¼ X 3¼-40	1	08	12	3.94	945	740	650	580	500
		1	11	15	4.30	1033	810	710	630	550
		1	14	18	4.56	1094	850	750	670	580
		2	14	18	6.20	1488	1160	1030	910	790
	¾C-3¼ X 3¼-48	1	08	12	4.38	1050	820	720	640	560
		1	11	15	4.74	1138	890	780	690	600
		1	14	18	4.99	1199	940	830	730	640
		2	14	18	6.93	1663	1300	1150	1010	880
1" Dia. copper	1C-2¾ X 4-32	1	08	12	3.76	901	700	620	550	480
		1	11	15	4.01	963	750	660	590	510
		1	14	18	4.30	1033	810	710	630	550
		2	14	18	5.87	1409	1100	970	860	750
	1C-2¾ X 4-40	1	08	12	4.12	989	770	680	600	520
		1	11	15	4.45	1068	830	740	650	570
		1	14	18	4.74	1138	890	780	690	600
		2	14	18	6.49	1558	1210	1070	950	830
	1C-2¾ X 4-48	1	08	12	4.45	1068	830	740	650	570
		1	11	15	4.89	1173	910	810	720	620
		1	14	18	5.18	1243	970	860	760	660
		2	14	18	7.07	1698	1320	1170	1040	900

*EDR - Equivalent Direct Radiation area (for steam heat) per active (finned) lineal foot of tube.

Important Rating Information Performance ratings based on:

- Installation at height shown. (Lower heights are not recommended. For greater heights, refer to EZselect selection software.)
- Entering air temperature of 65°F. (For other temperatures, refer to EZselect selection software.)
- Steam at nominal 1 (actual 0.9) psig and 215°F. (For other conditions, refer to EZselect selection software.)

- Water average temperature (°F) shown and velocity of 3 fps or more. (For lower velocities, refer to EZselect selection software.)
- Contact factory when ordering 1-1/4" copper, 1" steel and 1-1/4" steel elements to ensure proper fit up inside the enclosure.

Performance ratings

Model SBGVL3/SIBGVL3;
Low profile, sloped top enclosure

In BTU/hr per active (finned) lineal foot of tube at entering air temperature of 65°F

Element	Rows of element (on 6-inch centers)	Enclosure height (in inches)	Recommend-ed minimum installed height (in inches)	EDR* (ft ² / ft)	Steam heat	Hot water heat				
					215°F factor of 1.00	190°F factor of 0.78	180°F factor of 0.69	170°F factor of 0.61	160°F factor of 0.53	
Copper finned tubing										
1" Dia. copper	1C-3/4 X 3/4-32	1	08	12	3.57	858	670	590	520	450
		1	11	15	3.86	928	720	640	570	490
		1	14	18	4.12	989	770	680	600	520
		2	14	18	5.61	1348	1050	930	820	710
	1C-3/4 X 3/4-40	1	08	12	3.94	945	740	650	580	500
		1	11	15	4.30	1033	810	710	630	550
		1	14	18	4.56	1094	850	750	670	580
		2	14	18	6.20	1488	1160	1030	910	790
	1C-3/4 X 3/4-48	1	08	12	4.38	1050	820	720	640	560
		1	11	15	4.74	1138	890	780	690	600
		1	14	18	4.99	1199	940	830	730	640
		2	14	18	6.82	1636	1280	1130	1000	870
1 1/4" Dia. copper	1 1/4C-2 3/4 X 4-32	1	08	12	3.57	858	670	590	520	450
		1	11	15	3.86	928	720	640	570	490
		1	14	18	4.12	989	770	680	600	520
		2	14	18	5.61	1348	1050	930	820	710
	1 1/4C-2 3/4 X 4-40	1	08	12	4.01	963	750	660	590	510
		1	11	15	4.30	1033	810	710	630	550
		1	14	18	4.56	1094	850	750	670	580
		2	14	18	6.20	1488	1160	1030	910	790
	1 1/4C-2 3/4 X 4-48	1	08	12	4.38	1050	820	720	640	560
		1	11	15	4.74	1138	890	780	690	600
		1	14	18	4.99	1199	940	830	730	640
		2	14	18	6.82	1636	1280	1130	1000	870
1 1/4" Dia. copper	1 1/4C-3/4 X 3/4-32	1	08	12	3.14	753	590	520	460	400
		1	11	15	3.43	823	640	570	500	440
		1	14	18	3.57	858	670	590	520	450
		2	14	18	4.89	1173	910	810	720	620
	1 1/4C-3/4 X 3/4-40	1	08	12	3.94	945	740	650	580	500
		1	11	15	4.19	1006	780	690	610	530
		1	14	18	4.45	1068	830	740	650	570
		2	14	18	6.13	1470	1150	1010	900	780
	1 1/4C-3/4 X 3/4-48	1	08	12	4.30	1033	810	710	630	550
		1	11	15	4.63	1111	870	770	680	590
		1	14	18	4.89	1173	910	810	720	620
		2	14	18	6.74	1619	1260	1120	990	860

*EDR - Equivalent Direct Radiation area (for steam heat) per active (finned) lineal foot of tube.

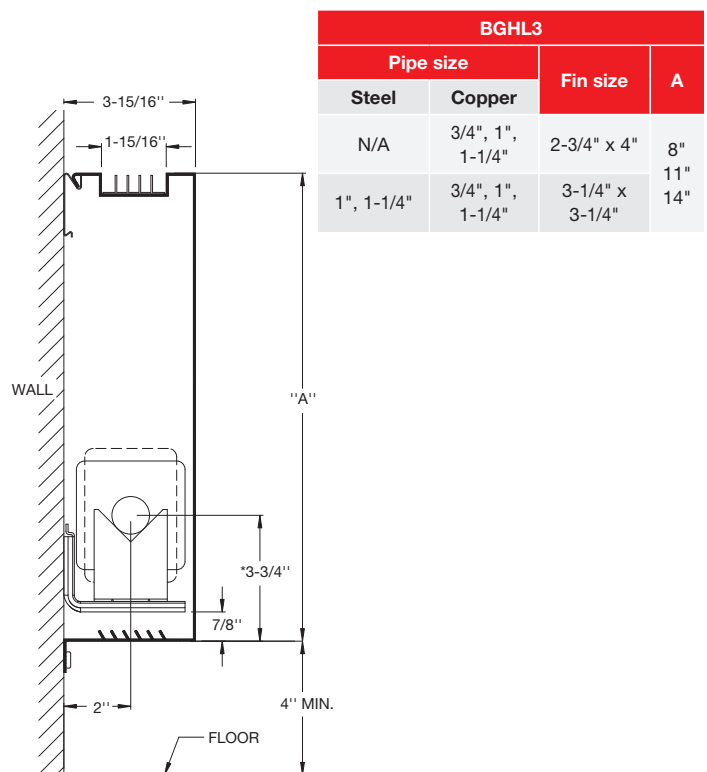
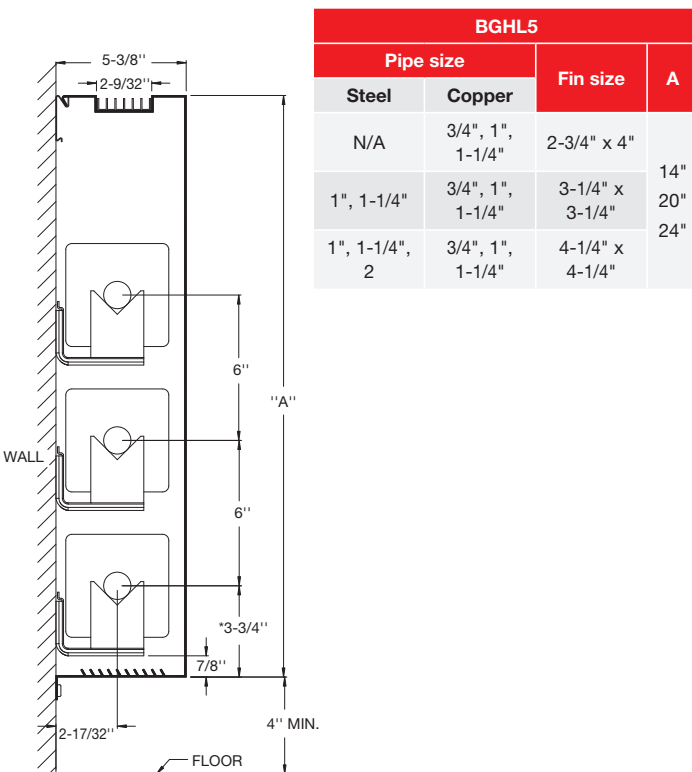
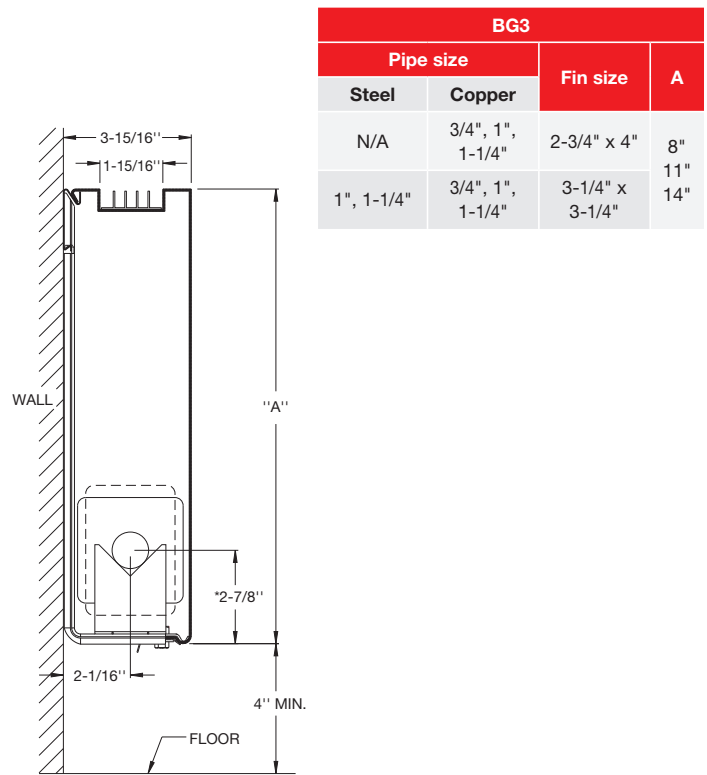
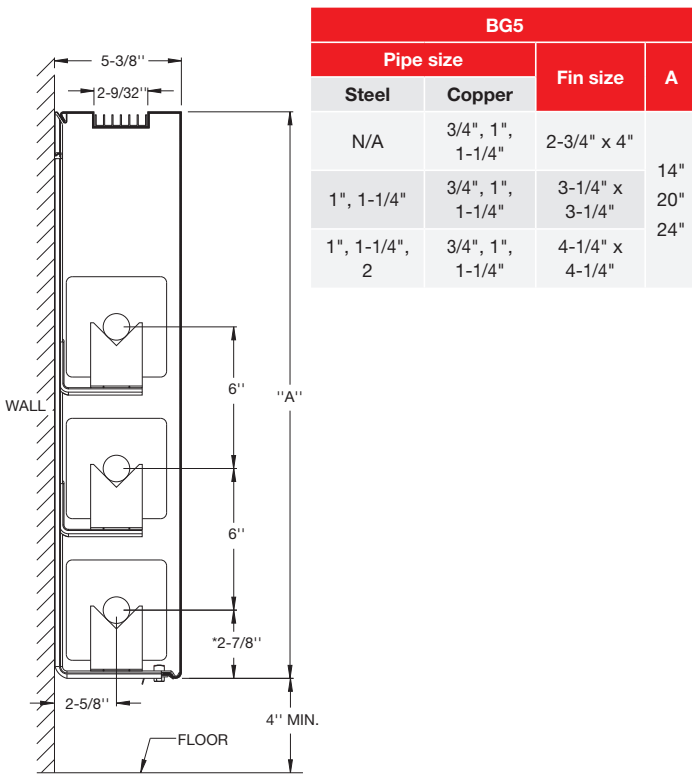
Important Rating Information Performance ratings based on:

- Installation at height shown. (Lower heights are not recommended. For greater heights, refer to EZselect selection software.)
- Entering air temperature of 65°F. (For other temperatures, refer to EZselect selection software.)
- Steam at nominal 1 (actual 0.9) psig and 215°F. (For other conditions, refer to EZselect selection software.)

- Water average temperature (°F) shown and velocity of 3 fps or more. (For lower velocities, refer to EZselect selection software.)
- Contact factory when ordering 1-1/4" copper, 1" steel and 1-1/4" steel elements to ensure proper fit up inside the enclosure.

Dimensions and data

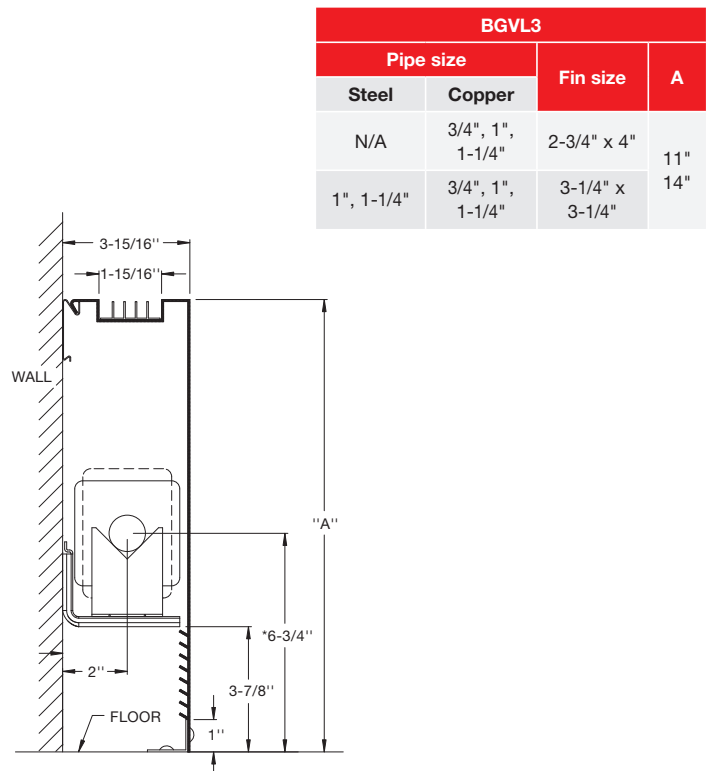
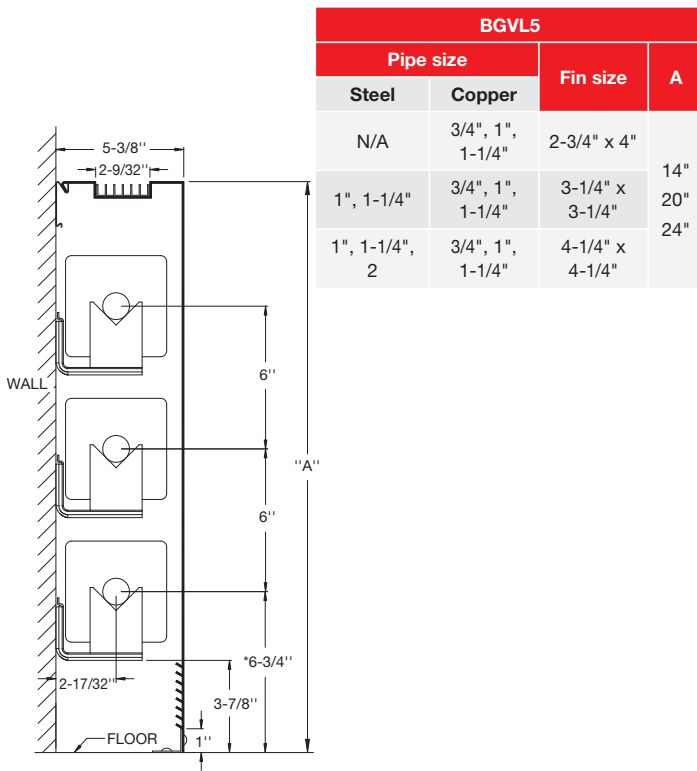
Bargrille



Notes:
 ■ *Center lines are based on 1" copper tube.

Dimensions and data

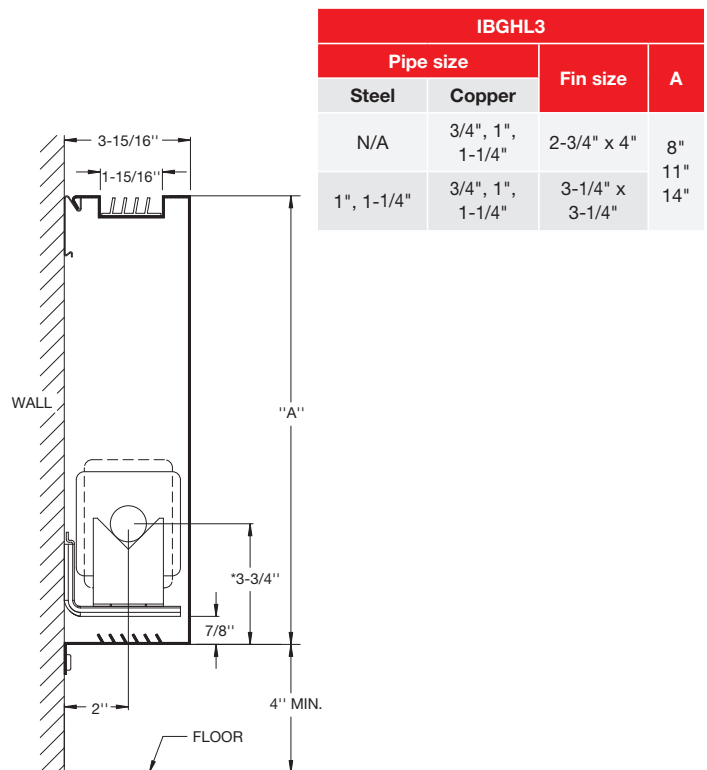
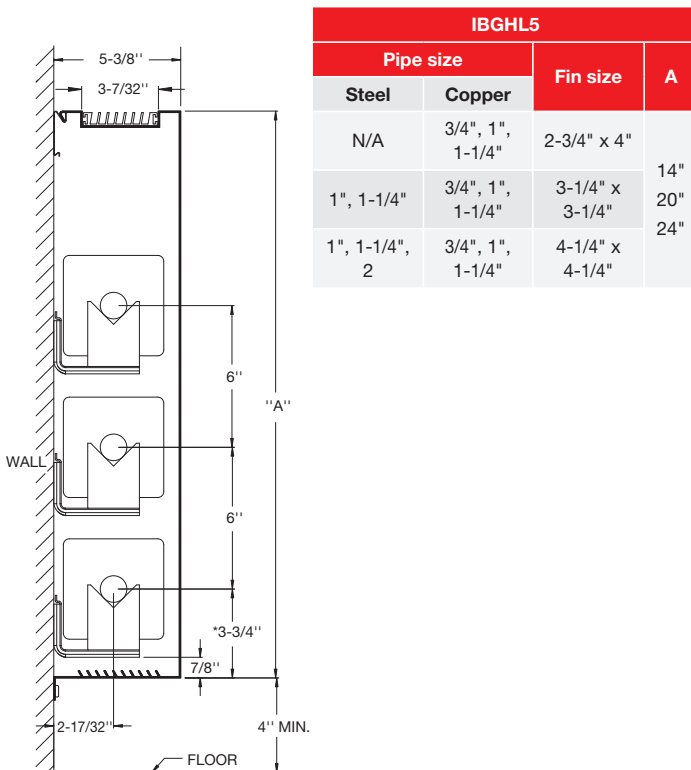
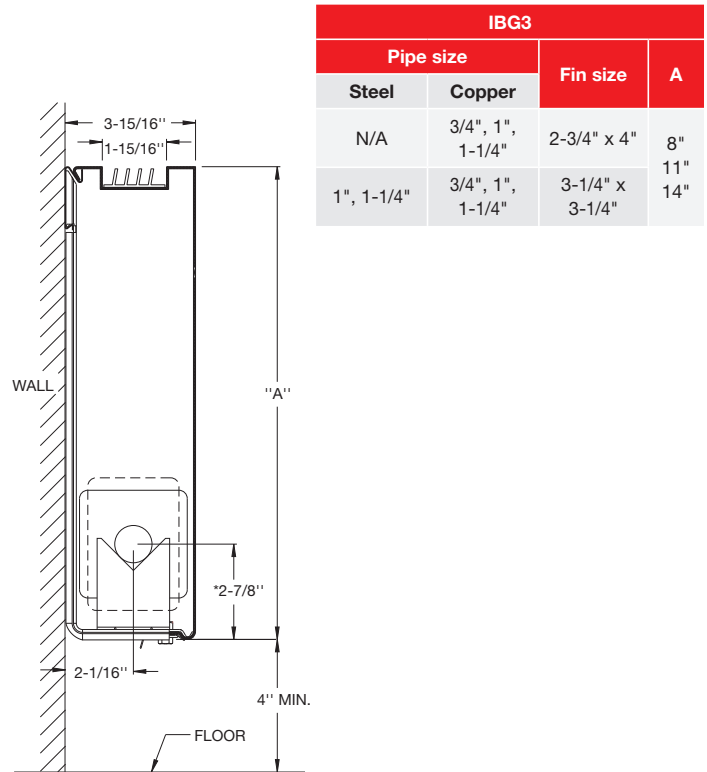
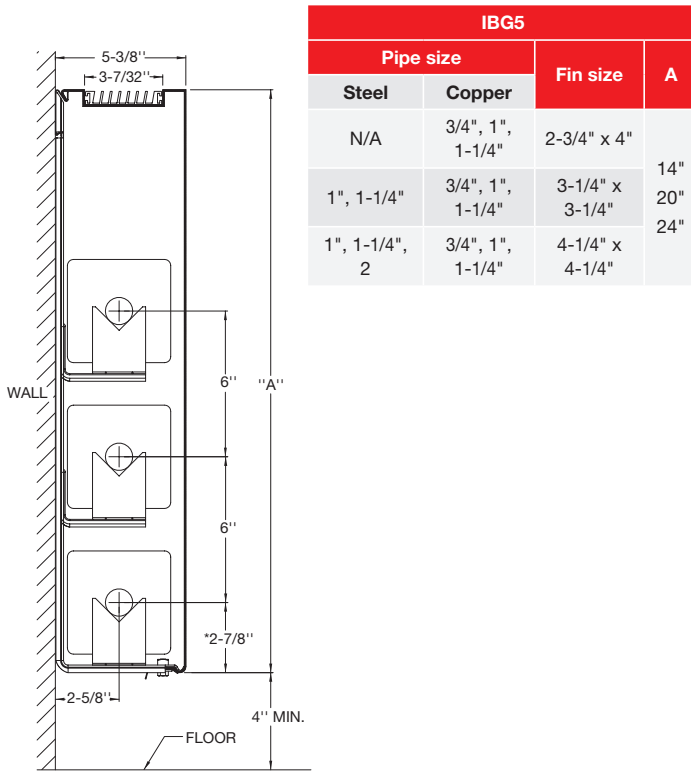
Bargrille



Note:
 ■ *Centerlines are based on 1" copper tube

Dimensions and data

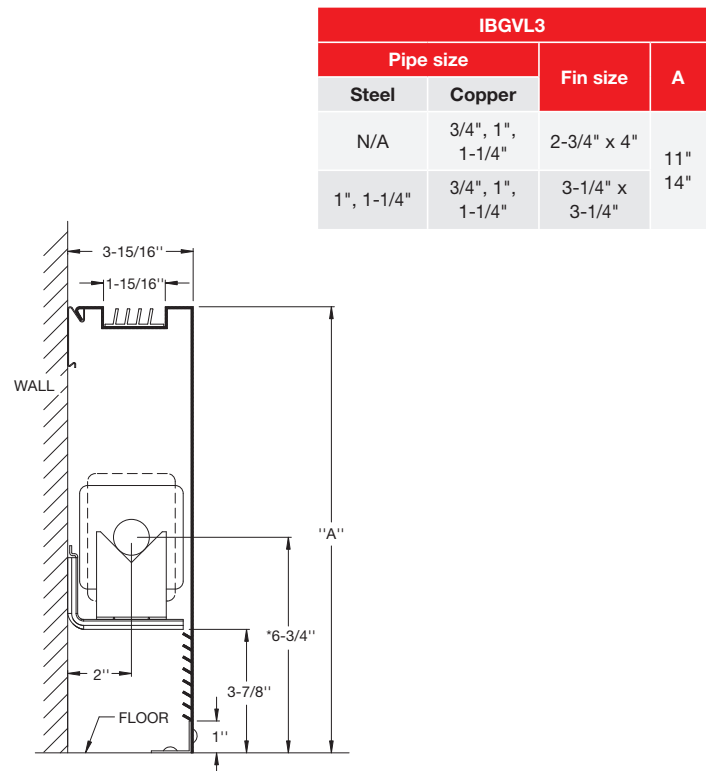
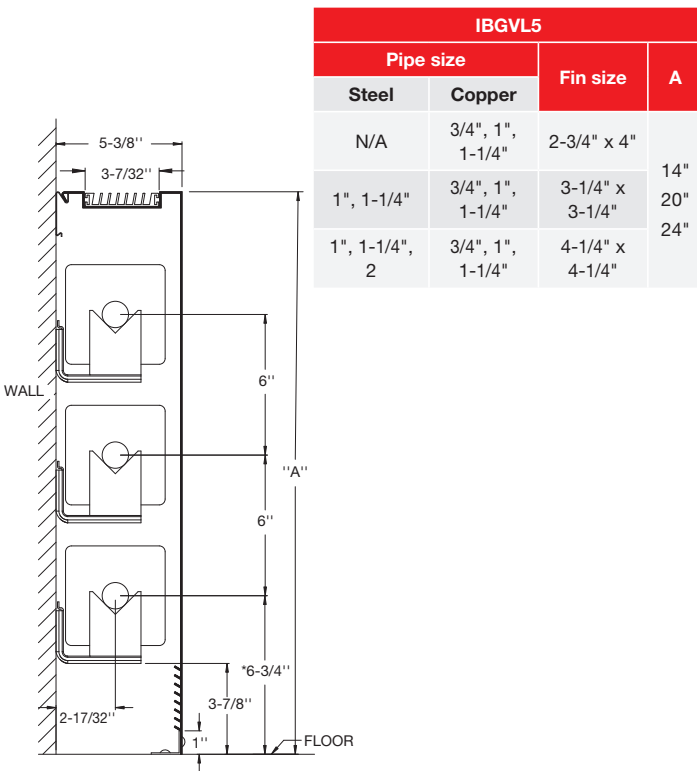
Imperial bargrille



Notes:
 ■ *Center lines are based on 1" copper tube.

Dimensions and data

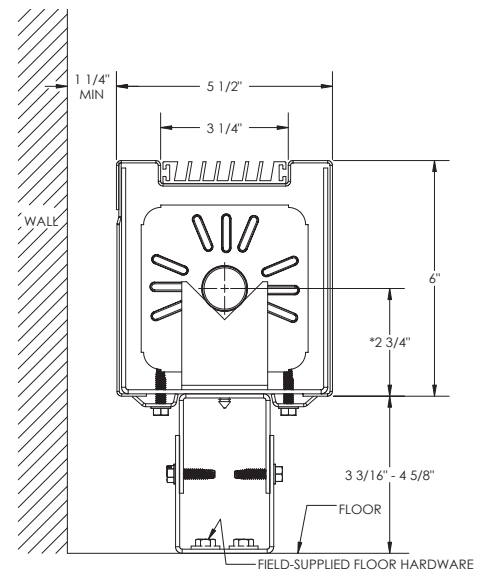
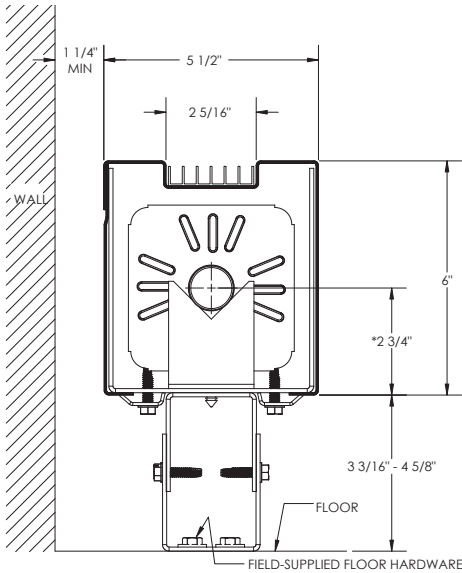
Imperial bargrille



Note:
 ■ *Centerlines are based on 1" copper tube

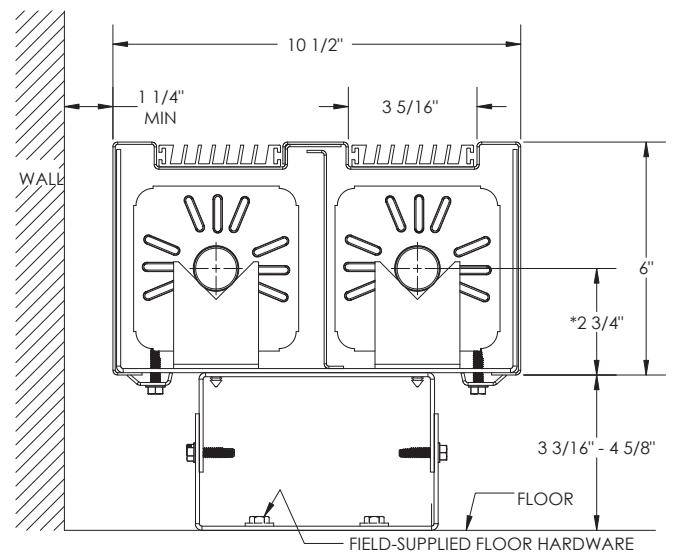
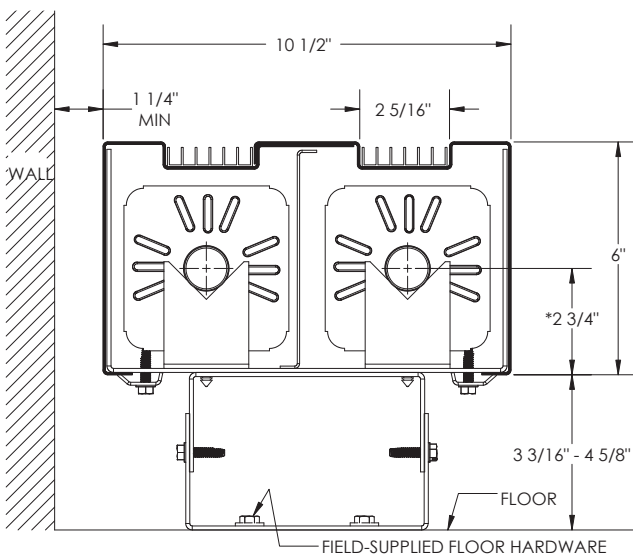
Dimensions and data

Pedestal



PBG506		
Pipe size		Fin size
Steel	Copper	
N/A	3/4", 1", 1-1/4"	2-3/4" x 4"
1", 1-1/4"	3/4", 1", 1-1/4"	3-1/4" x 3-1/4"
1", 1-1/4"	3/4", 1", 1-1/4"	4-1/4" x 4-1/4"

PIBG506		
Pipe size		Fin size
Steel	Copper	
N/A	3/4", 1", 1-1/4"	2-3/4" x 4"
1", 1-1/4"	3/4", 1", 1-1/4"	3-1/4" x 3-1/4"
1", 1-1/4"	3/4", 1", 1-1/4"	4-1/4" x 4-1/4"



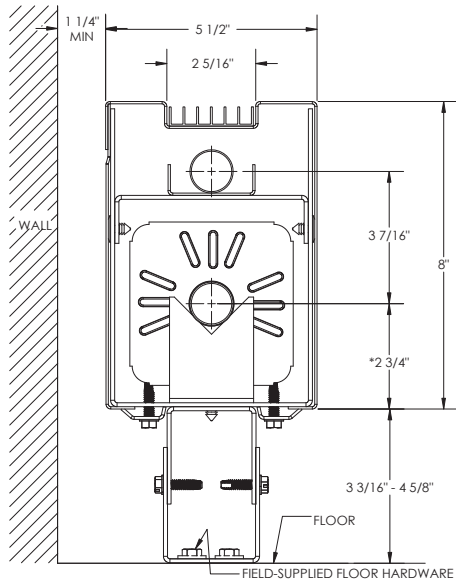
PBG1006		
Pipe size		Fin size
Steel	Copper	
N/A	3/4", 1", 1-1/4"	2-3/4" x 4"
1", 1-1/4"	3/4", 1", 1-1/4"	3-1/4" x 3-1/4"
1", 1-1/4"	3/4", 1", 1-1/4"	4-1/4" x 4-1/4"

PIBG1006		
Pipe size		Fin size
Steel	Copper	
N/A	3/4", 1", 1-1/4"	2-3/4" x 4"
1", 1-1/4"	3/4", 1", 1-1/4"	3-1/4" x 3-1/4"
1", 1-1/4"	3/4", 1", 1-1/4"	4-1/4" x 4-1/4"

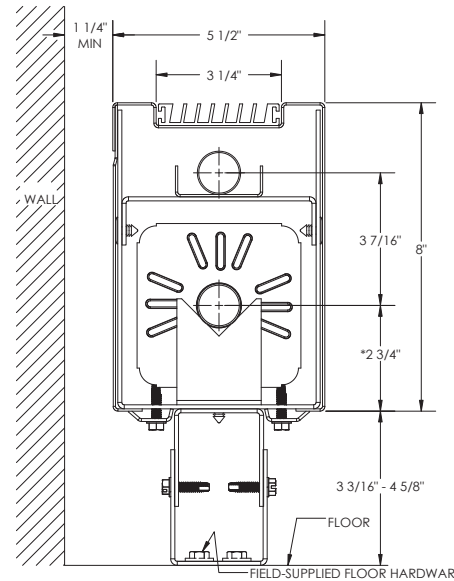
Notes:

■ *Center lines are based on 1" copper tube.

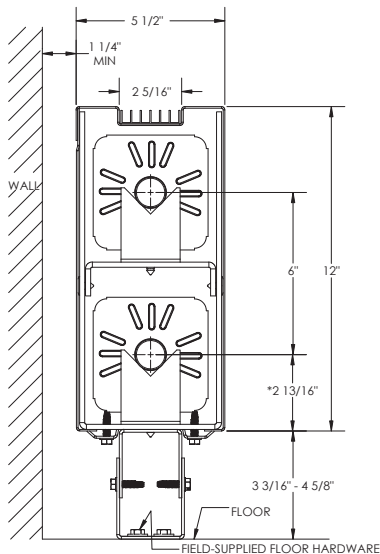
Dimensions and data



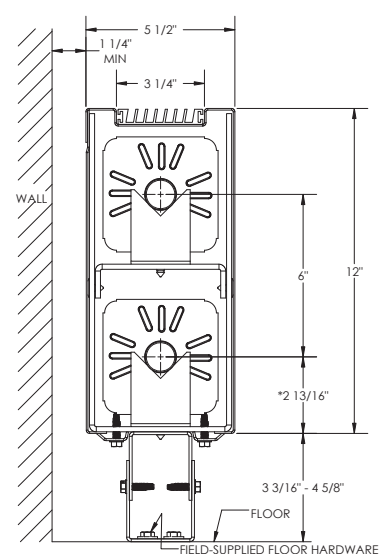
PBG508		
Pipe size		Fin size
Steel	Copper	
N/A	3/4", 1", 1-1/4"	2-3/4" x 4"
1", 1-1/4"	3/4", 1", 1-1/4"	3-1/4" x 3-1/4"
1", 1-1/4"	3/4", 1", 1-1/4"	4-1/4" x 4-1/4"



PIBG508		
Pipe size		Fin size
Steel	Copper	
N/A	3/4", 1", 1-1/4"	2-3/4" x 4"
1", 1-1/4"	3/4", 1", 1-1/4"	3-1/4" x 3-1/4"
1", 1-1/4"	3/4", 1", 1-1/4"	4-1/4" x 4-1/4"



PBG512		
Pipe size		Fin size
Steel	Copper	
N/A	3/4", 1", 1-1/4"	2-3/4" x 4"
1", 1-1/4"	3/4", 1", 1-1/4"	3-1/4" x 3-1/4"
1", 1-1/4"	3/4", 1", 1-1/4"	4-1/4" x 4-1/4"

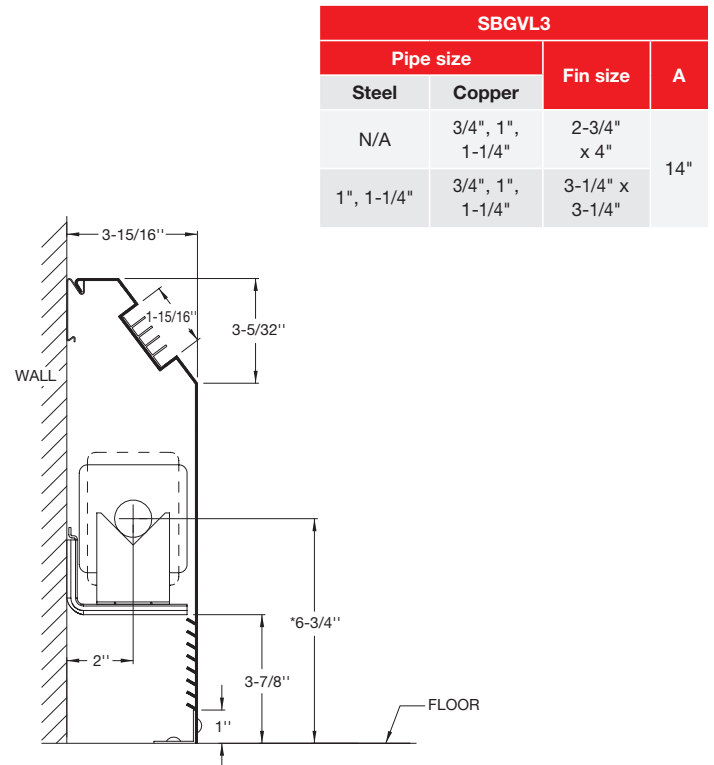
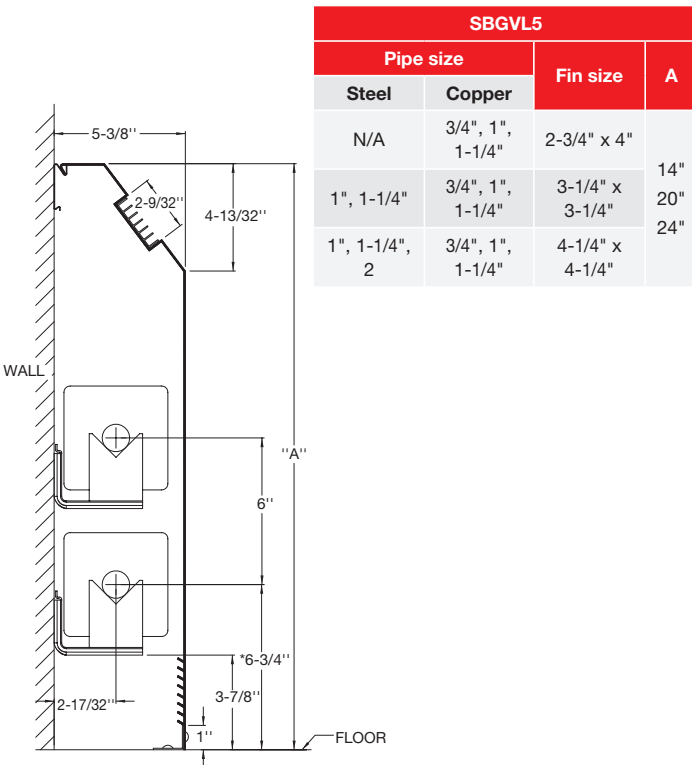
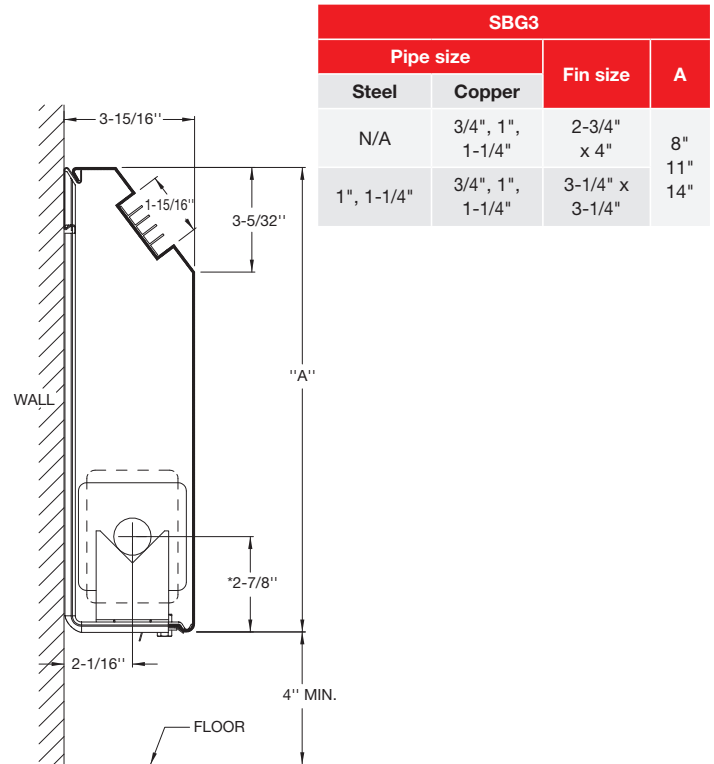
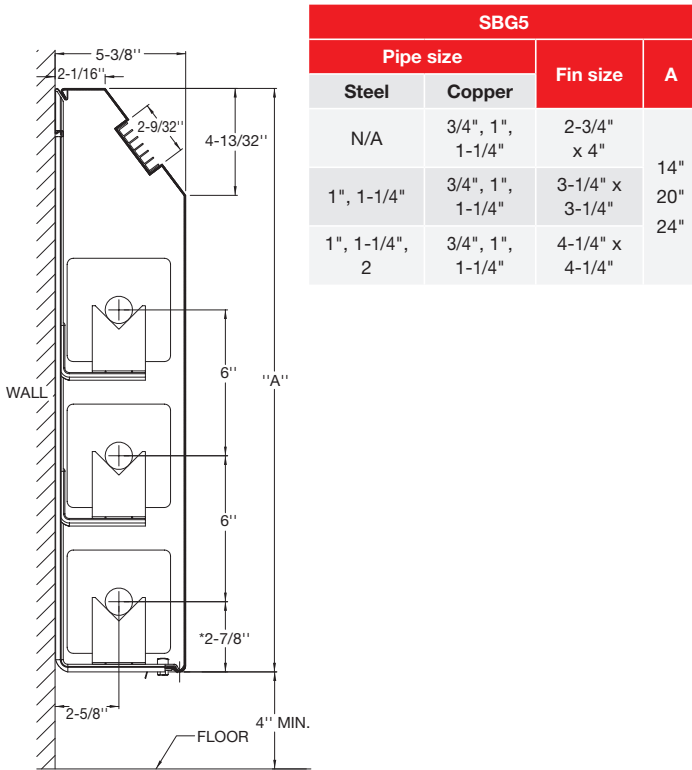


PIBG512		
Pipe size		Fin size
Steel	Copper	
N/A	3/4", 1", 1-1/4"	2-3/4" x 4"
1", 1-1/4"	3/4", 1", 1-1/4"	3-1/4" x 3-1/4"
1", 1-1/4"	3/4", 1", 1-1/4"	4-1/4" x 4-1/4"

Notes:
 ■ *Center lines are based on 1" copper tube.

Dimensions and data

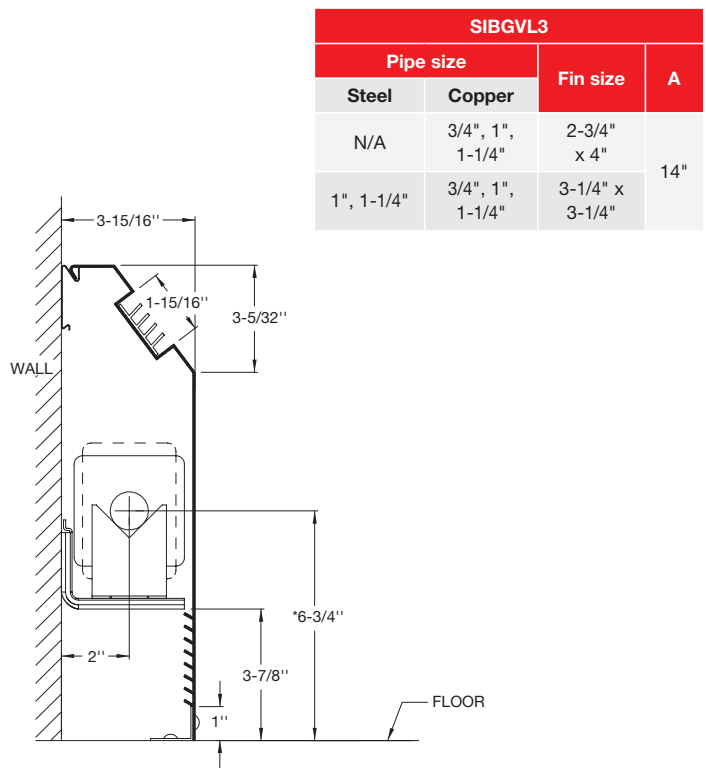
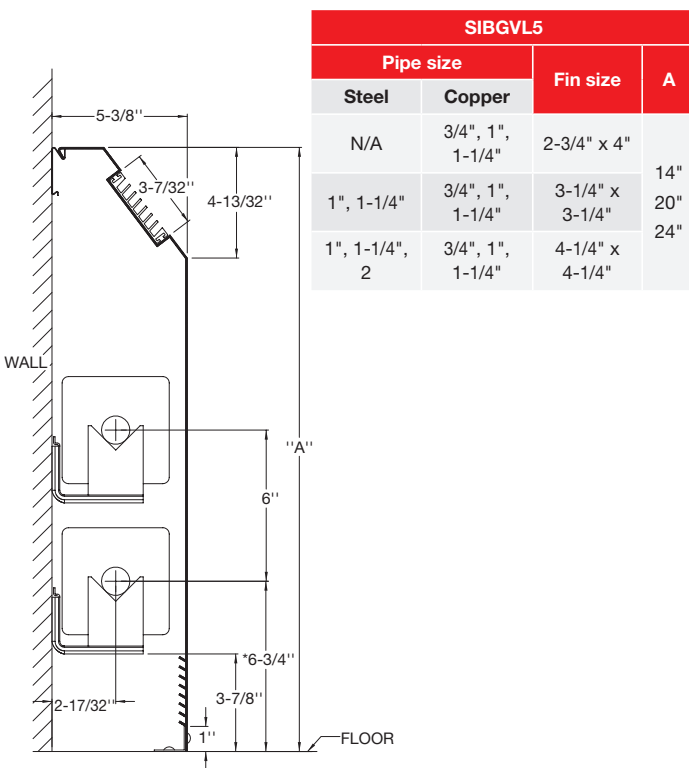
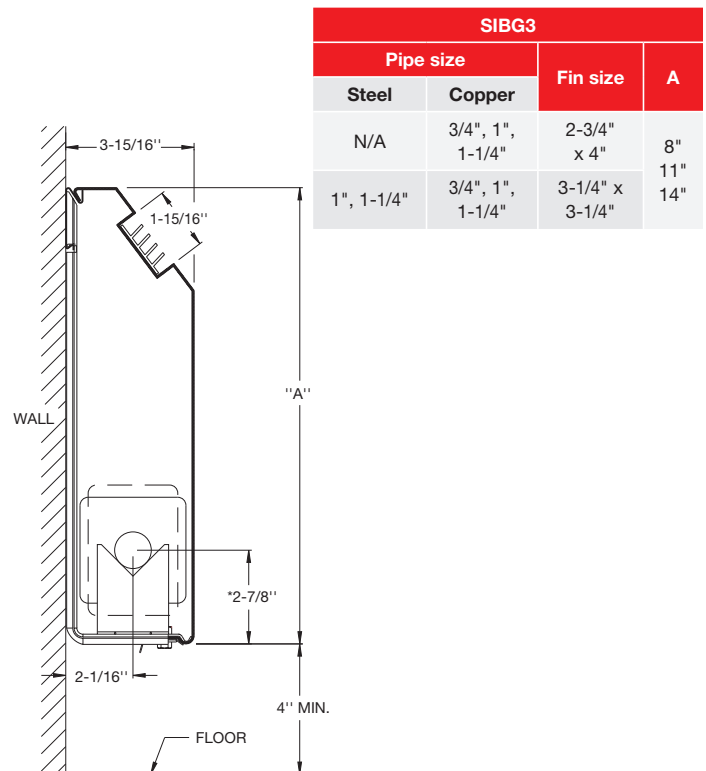
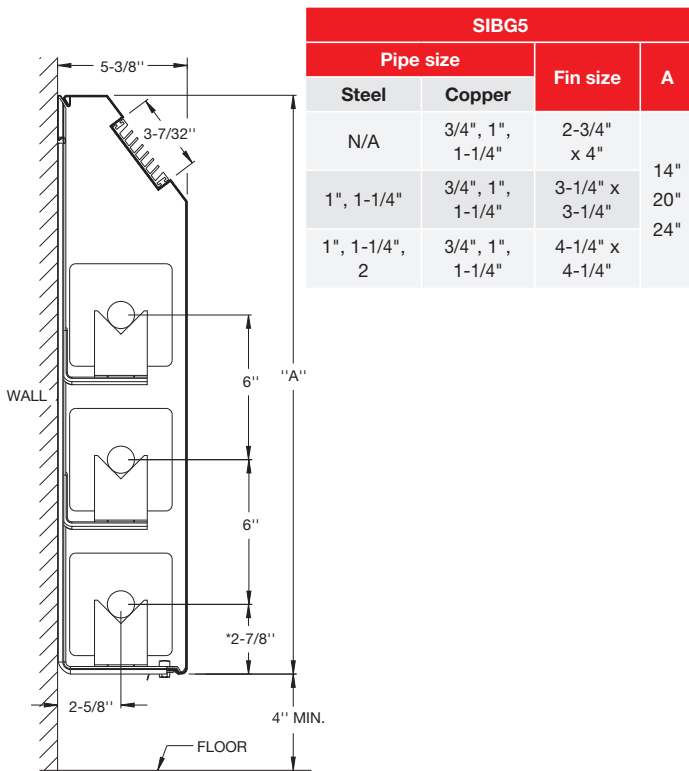
Sloped top



Notes:
 ■ *Center lines are based on 1" copper tube.

Dimensions and data

Sloped top



Notes:
 ■ *Center lines are based on 1" copper tube.

Available damper and return line combinations

Snap expansion brackets

Model	Depth	Height (inches)	1 row	2 row	3 row	1 row with damper	2 row with damper	3 row with damper	1 row with return line	2 row with return line	3 row with return line	1 row with damper & return line	2 row with damper & return line	3 row with damper & return line
SBG, SIBG	3	8	✓											
		11	✓						✓					
		14	✓	✓					✓					
	5	14	✓						✓					
		20	✓	✓					✓	✓				
		24	✓	✓	✓				✓	✓	✓			
BG, IBG	3	8	✓											
		11	✓	✓*		✓			✓					
		14	✓	✓		✓			✓			✓		
	5	14	✓	✓		✓			✓			✓		
		20	✓	✓	✓	✓	✓		✓	✓		✓	✓	
		24	✓	✓	✓	✓	✓	✓	✓	✓	✓	✓	✓	

Note:

- *Except 1-1/4C - 4-1/4" X 4-1/4" element/return
- Based upon standard center lines

Steam expansion brackets

Model	Depth	Height (inches)	1 row	2 row	3 row	1 row with damper	2 row with damper	3 row with damper	1 row with return line	2 row with return line	3 row with return line	1 row with damper & return line	2 row with damper & return line	3 row with damper & return line
SBG, SIBG	3	8	✓											
		11	✓						✓					
		14	✓						✓				✓	
	5	14	✓						✓				✓*	
		20	✓	✓					✓	✓			✓	
		24	✓	✓	✓				✓	✓			✓	✓
BG, IBG	3	8	✓											
		11	✓						✓					
		14	✓	✓		✓			✓			✓		
	5	14	✓	✓		✓			✓					
		20	✓	✓	✓	✓	✓		✓	✓		✓	✓	
		24	✓	✓	✓	✓	✓	✓	✓	✓	✓	✓	✓	

Note:

- *Except 1-1/4C - 4-1/4" X 4-1/4" element/return
- Based upon standard center lines

Available damper and return line combinations

Second row brackets

Model	Depth	Height (inches)	1 row	2 row	3 row	1 row with damper	2 row with damper	3 row with damper	1 row with return line	2 row with return line	3 row with return line	1 row with damper & return line	2 row with damper & return line	3 row with damper & return line
SBGVL	3	14	✓						✓					
	5	14	✓						✓*					
		20	✓	✓					✓	✓*				
		24	✓	✓					✓	✓				
SBGHL, SIBGHL	3	11	✓						✓					
		14	✓						✓					
	5	14	✓						✓					
		20	✓	✓					✓	✓				
		24	✓	✓	✓				✓	✓				
SBGVL, SIBGVL	3	14	✓						✓					
	5	14	✓						✓*					
		20	✓	✓					✓	✓*				
		24	✓	✓					✓	✓				
BGHL, IBGHL	3	8	✓											
		11	✓						✓					
		14	✓	✓		✓			✓			✓		
	5	14	✓	✓		✓			✓					
		20	✓	✓		✓	✓		✓	✓		✓		
		24	✓	✓	✓	✓	✓	✓	✓	✓	✓	✓	✓	
BGVL, IBGVL	3	11	✓						✓*					
		14	✓			✓			✓					
	5	14	✓											
		20	✓	✓		✓			✓	✓*		✓*		
		24	✓	✓	✓	✓	✓	✓	✓	✓	✓	✓	✓	✓

Note:

- *Return below element
- Based upon standard center lines

Available damper and return line combinations

Steam second row brackets

Model	Depth	Height (inches)	1 row	2 row	3 row	1 row with damper	2 row with damper	3 row with damper	1 row with return line	2 row with return line	3 row with return line	1 row with damper & return line	2 row with damper & return line	3 row with damper & return line
SBGHL, SIBGHL	3	11	✓			✓			✓					
		14	✓			✓			✓			✓		
	5	14	✓			✓			✓					
		20	✓	✓		✓	✓		✓	✓		✓		
		24	✓	✓	✓	✓	✓		✓	✓		✓	✓	
SBGVL, SIBGVL	3	14	✓			✓			✓					
		14	✓			✓			✓*					
	5	20	✓	✓		✓			✓	✓*				
		24	✓	✓		✓	✓		✓	✓		✓	✓*	
BGHL, IBGHL	3	8	✓											
		11	✓						✓					
		14	✓			✓			✓			✓		
	5	14	✓	✓					✓					
		20	✓	✓		✓	✓		✓	✓		✓		
		24	✓	✓	✓	✓	✓		✓	✓	✓	✓	✓	
BGVL, IBGVL	3	11	✓						✓*					
		14	✓			✓			✓					
	5	14	✓						✓					
		20	✓	✓		✓			✓	✓*		✓*		
		24	✓	✓	✓	✓	✓		✓	✓	✓*	✓	✓*	

Note:

- *Return below element
- Based upon standard center lines

Pedestal

Model	Depth	Height (inches)	1 row	2 row	3 row	1 row with damper	2 row with damper	3 row with damper	1 row with return line	2 row with return line	3 row with return line	1 row with damper & return line	2 row with damper & return line	3 row with damper & return line
PBG, PIBG	5	6	✓			✓								
		8	✓			✓			✓			✓		
	10	6		✓			✓							

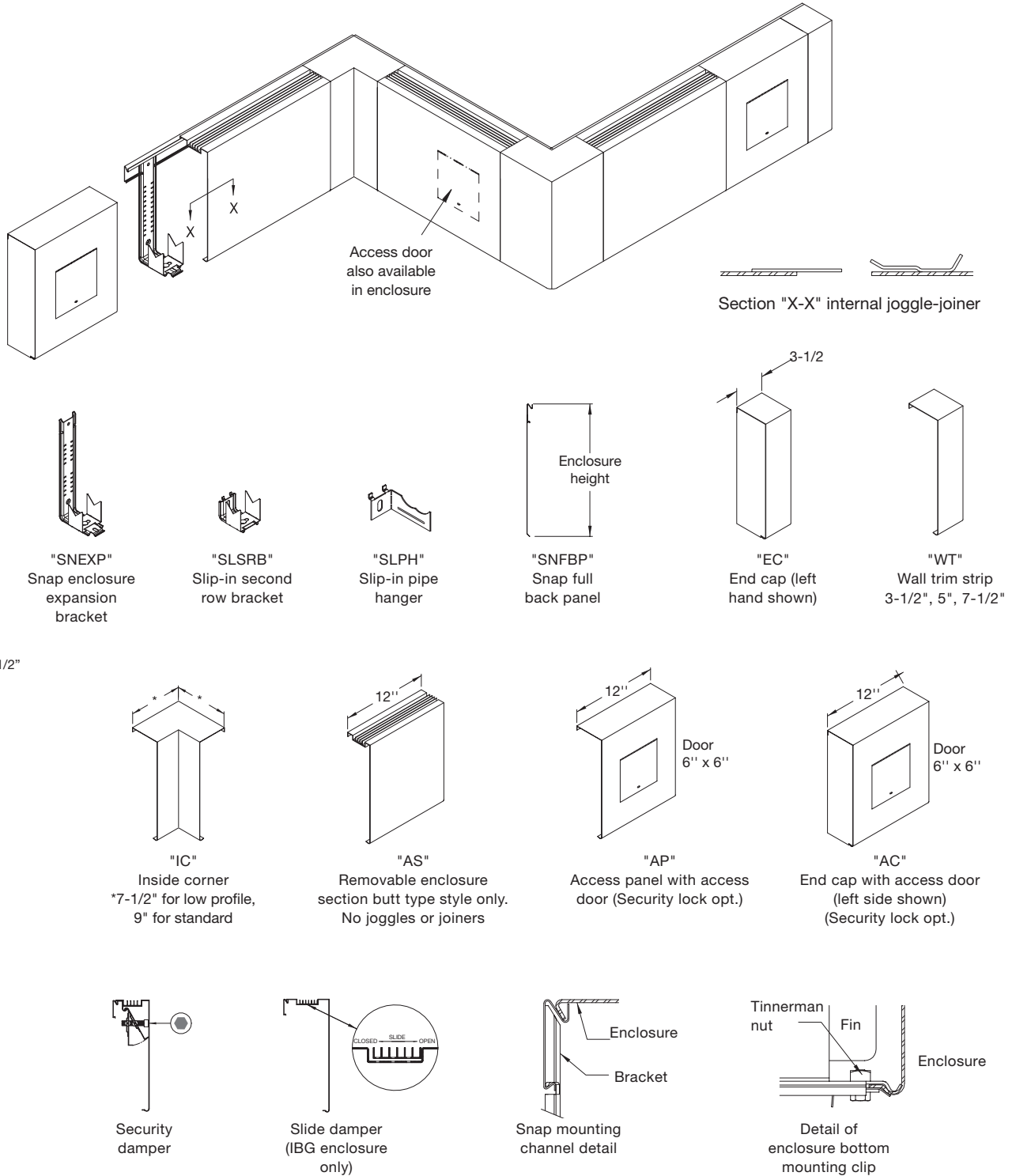
Note:

- Damper is slide damper, IBG only.

Accessories

BG / IBG

Standard enclosures are available in 1' to 8' lengths in 6" increments



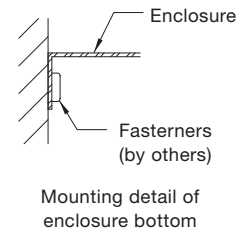
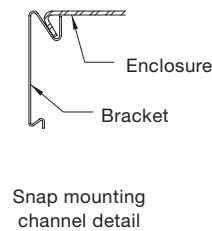
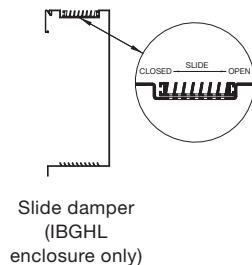
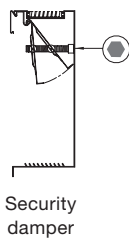
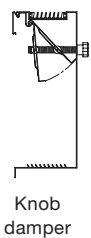
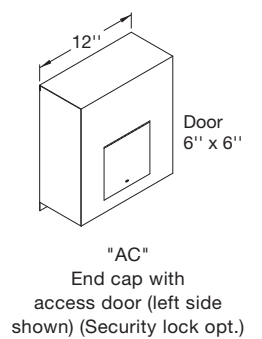
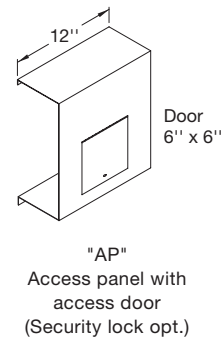
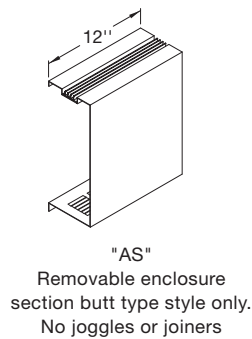
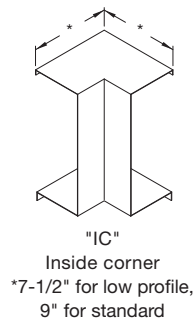
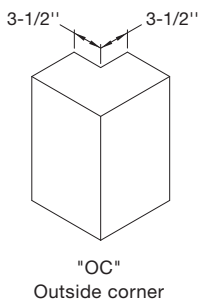
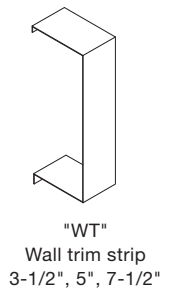
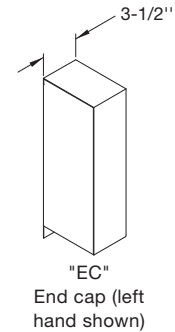
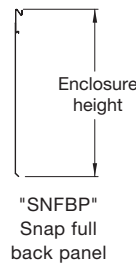
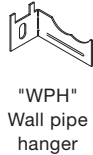
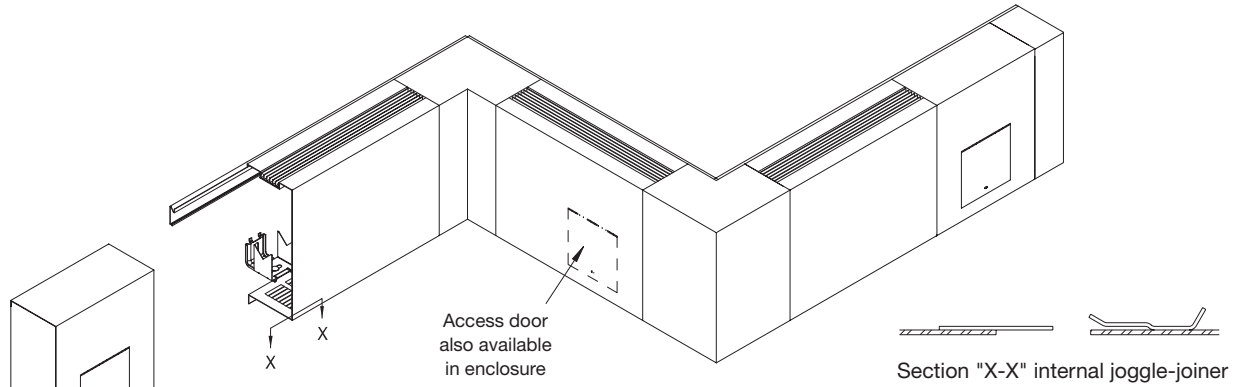
Notes:

- All accessories are overlap type, butt type optional (except as noted)

Accessories

BGHL / IBGHL

Horizontal louvered enclosures are available in 1' to 8' lengths in 6" increments



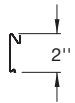
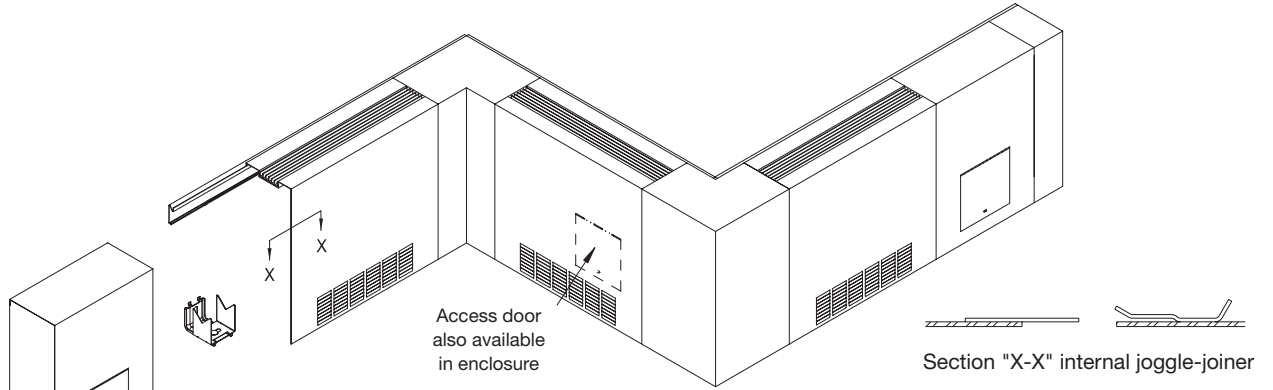
Notes:

■ All accessories are overlap type, butt type optional (except as noted)

Accessories

BGVL / IBGVL

Vertical louvered enclosures are available in 1' to 8' lengths in 6" increments



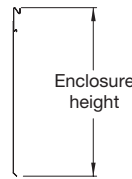
"SNMC"
Snap mounting channel



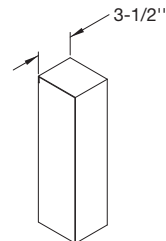
"SLSRB"
Slip-in second row bracket



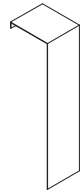
"WPH"
Wall pipe hanger



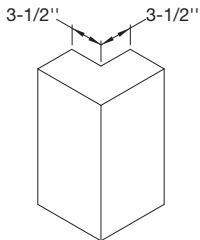
"SNFBP"
Snap full back panel



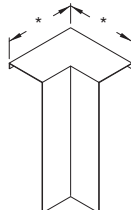
"EC"
End cap (left hand shown)



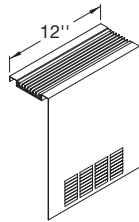
"WT"
Wall trim strip
3-1/2", 5", 7-1/2"



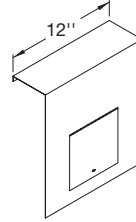
"OC"
Outside corner



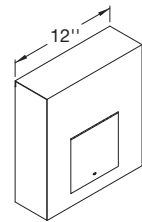
"IC"
Inside corner



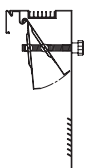
"AS"
Removable enclosure section butt type style only. No joggles or joiners



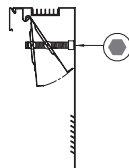
"AP"
Access panel with access door (Security lock opt.)



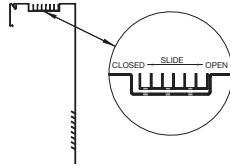
"AC"
End cap with access door (left side shown) (Security lock opt.)



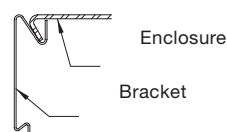
Knob damper



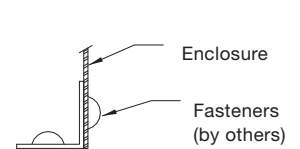
Security damper



Slide damper (IBGVL enclosure only)



Snap mounting channel detail



Floor mounting angle detail

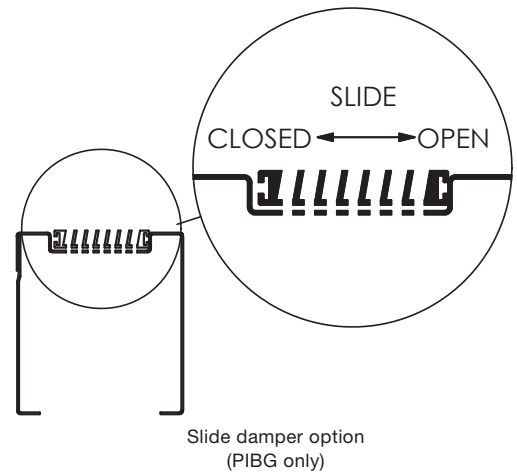
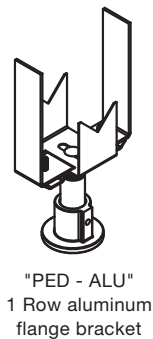
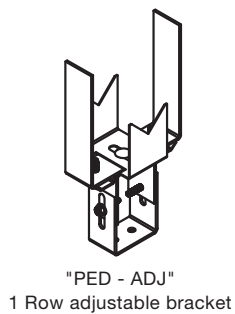
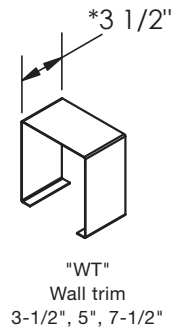
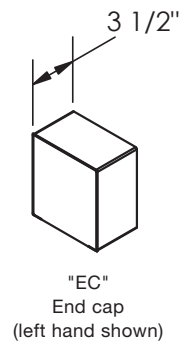
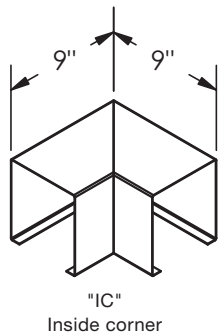
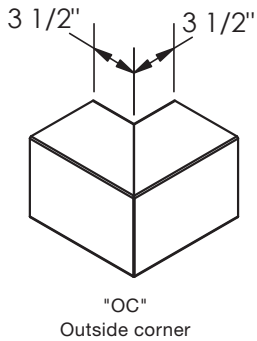
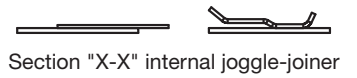
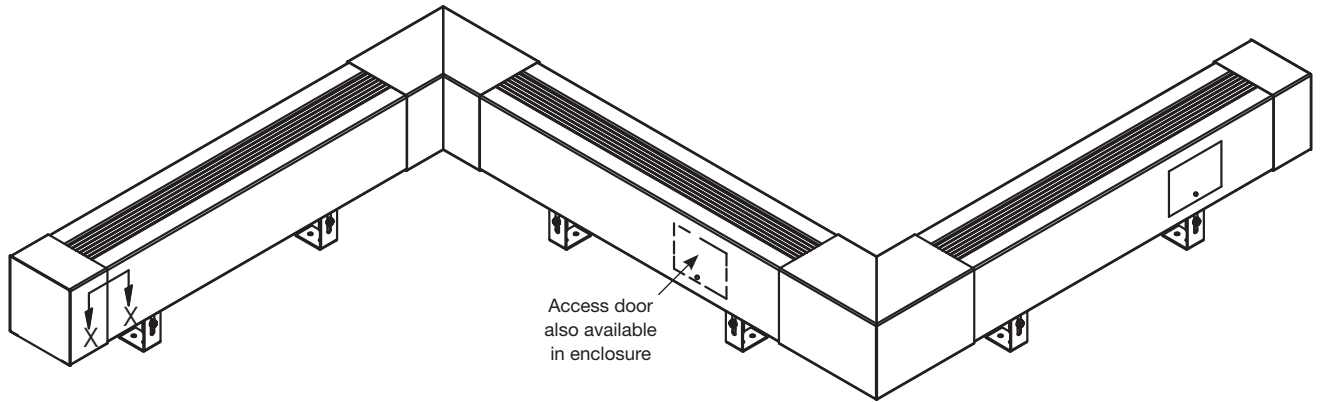
Notes:

- All accessories are overlap type, butt type optional (except as noted)

Accessories

PBG5 / PIBG5

Pedestal enclosures are available in 1' to 8' lengths in 6" increments



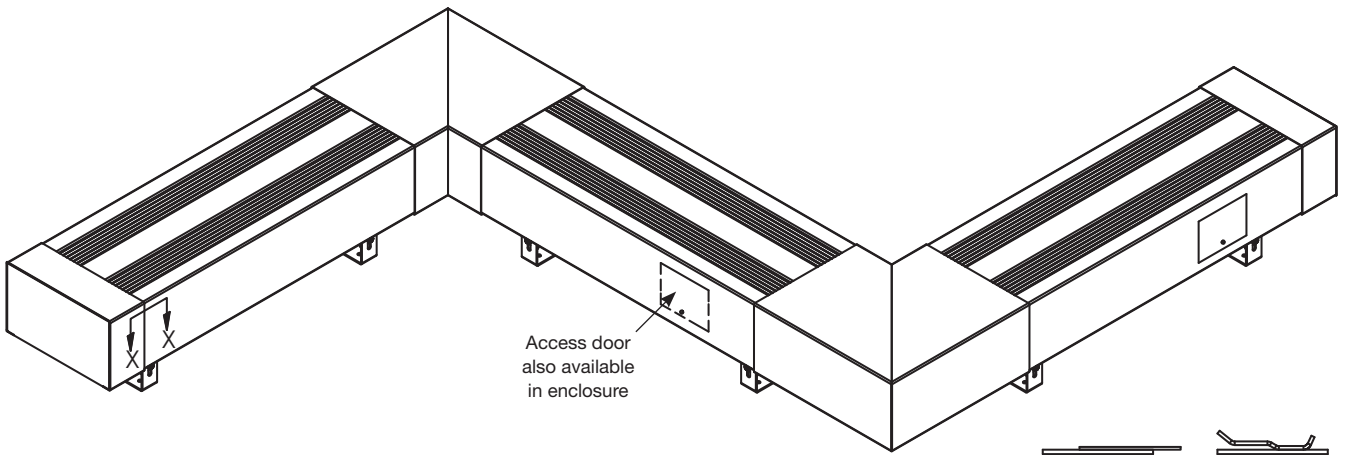
Notes:

- All accessories are overlap type, butt type optional (except as noted)

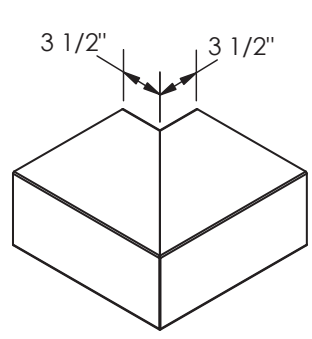
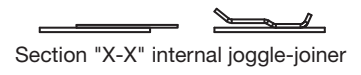
Accessories

PBG10 / PIBG10

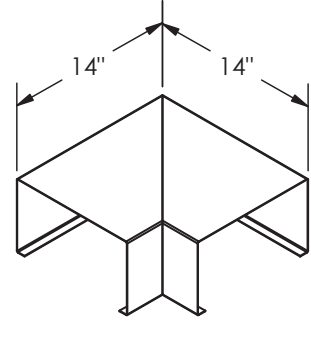
Pedestal enclosures are available in 1' to 8' lengths in 6" increments



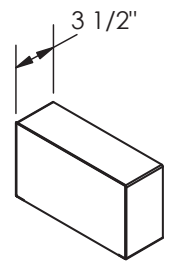
Access door also available in enclosure



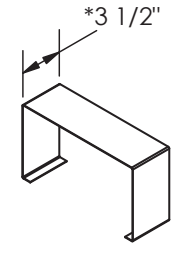
"OC"
Outside corner



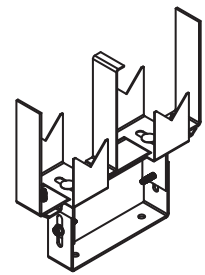
"IC"
Inside corner



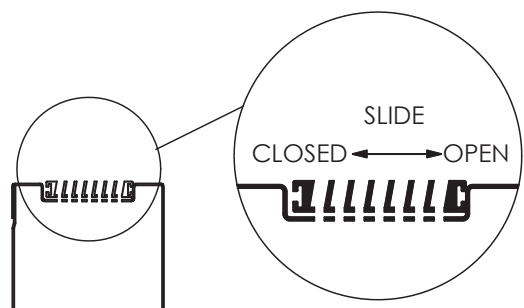
"EC"
End cap
(left hand shown)



"WT"
Wall trim strip
3-1/2", 5", 7-1/2"



"PED - ADJ"
2 Column
adjustable bracket



Slide damper option
(PIBG only)

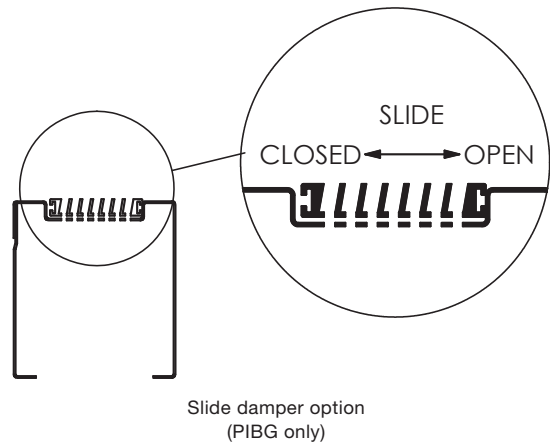
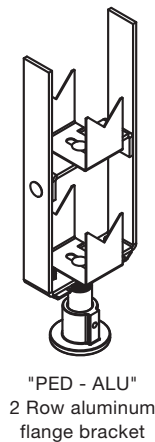
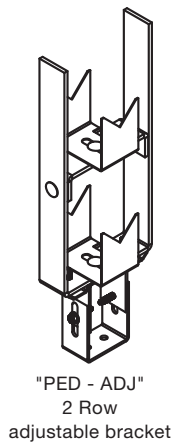
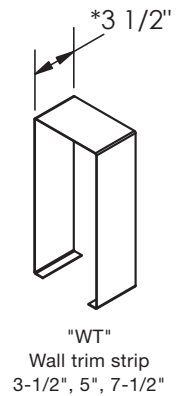
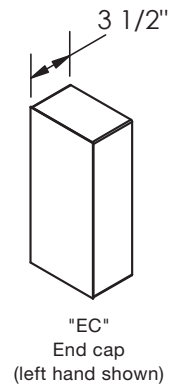
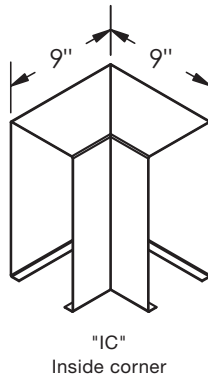
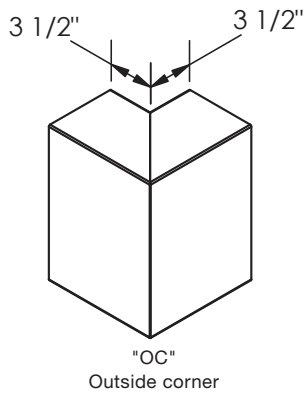
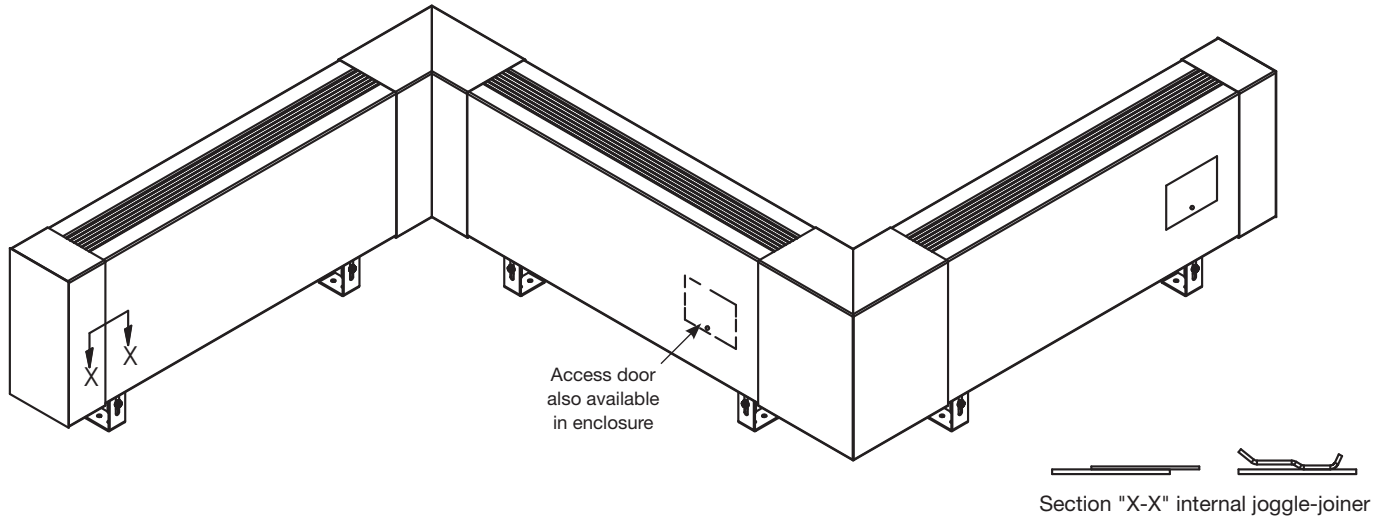
Notes:

- All accessories are overlap type, butt type optional (except as noted)

Accessories

PBG512 / PIBG512

Pedestal enclosures are available in 1' to 8' lengths in 6" increments



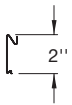
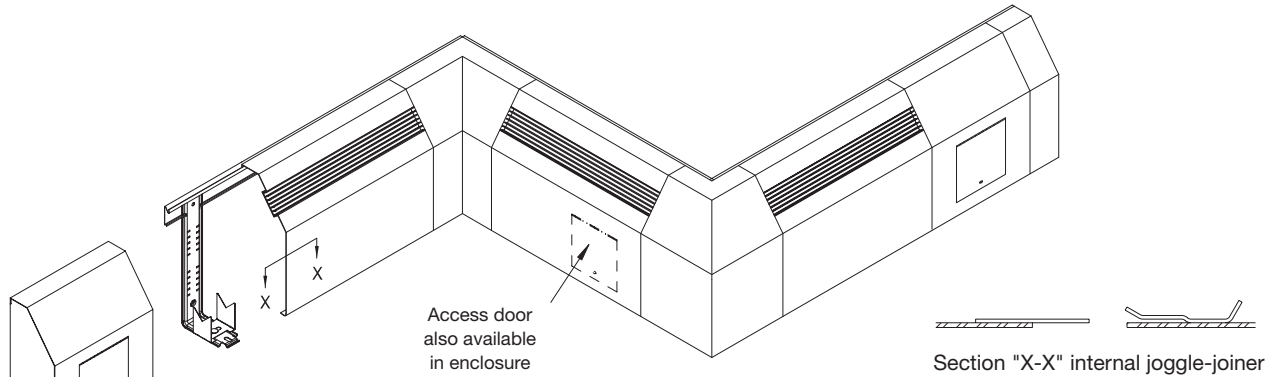
Notes:

- All accessories are overlap type, butt type optional (except as noted)

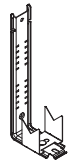
Accessories

SBG / SIBG

Standard enclosures are available in 1' to 8' lengths in 6" increments



"SNMC"
Snap mounting channel



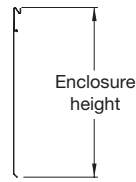
"SNEXP"
Snap enclosure expansion bracket



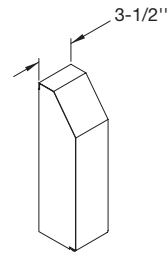
"SLSRB"
Slip-in second row bracket



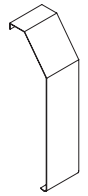
"SLPH"
Slip-in pipe hanger



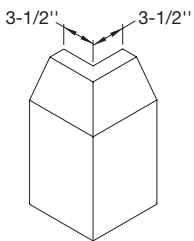
"SNFBP"
Snap full back panel



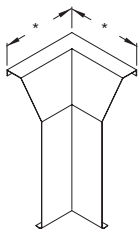
"EC"
End cap (left hand shown)



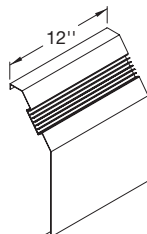
"WT"
Wall trim strip
3-1/2", 5", 7-1/2"



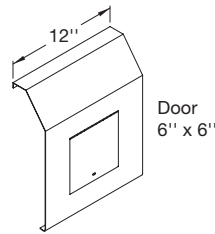
"OC"
Outside corner



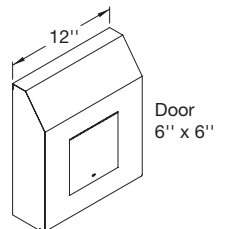
"IC"
Inside corner
*7-1/2" for low profile,
9" for standard



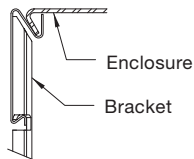
"AS"
Removable enclosure section butt type style only. No joggles or joiners



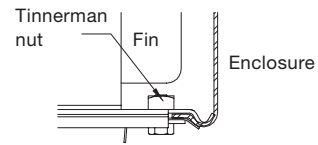
"AP"
Access panel with access door (Security lock opt.)
Door 6" x 6"



"AC"
End cap with access door (left side shown) (Security lock opt.)
Door 6" x 6"



Snap mounting channel detail



Detail of enclosure bottom mounting clip

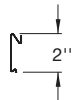
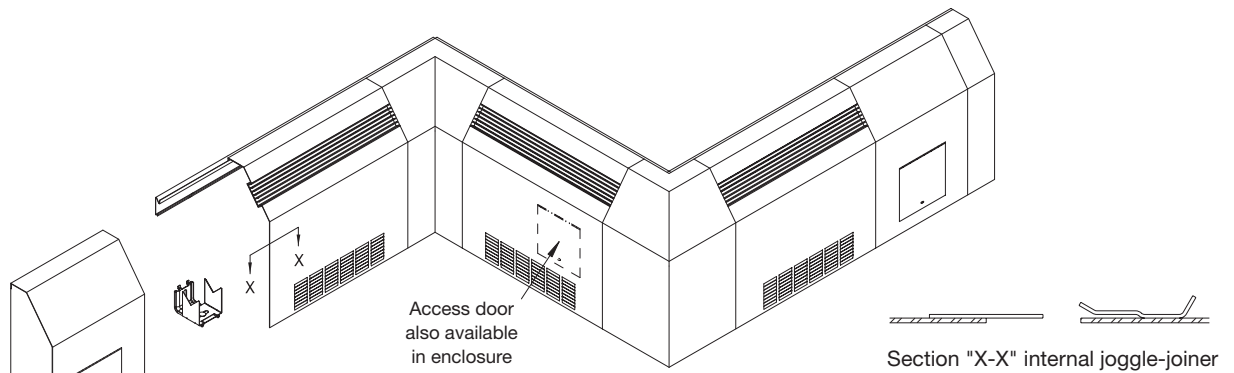
Notes:

- All accessories are overlap type, butt type optional (except as noted)

Accessories

SBGVL / SIBGVL

Vertical louvered enclosures are available in 1' to 8' lengths in 6" increments



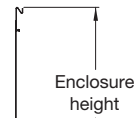
"SNMC"
Snap mounting channel



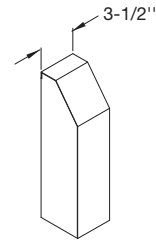
"SLSRB"
Slip-in second row bracket



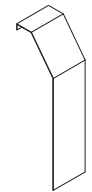
"WPH"
Wall pipe hanger



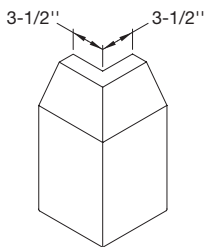
"SNFBP"
Snap full back panel



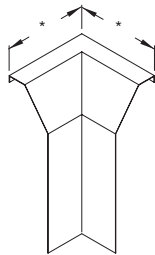
"EC"
End cap (left hand shown)



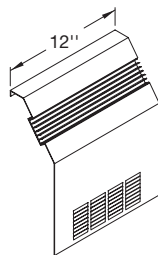
"WT"
Wall trim strip
3-1/2", 5", 7-1/2"



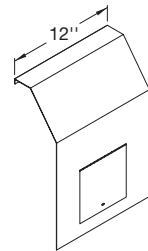
"OC"
Outside corner



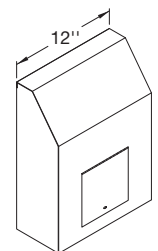
"IC"
Inside corner
*7-1/2" for low profile,
9" for standard



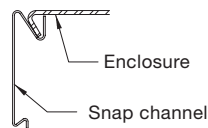
"AS"
Removable enclosure section butt type style only. No joggles or joiners



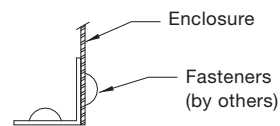
"AP"
Access panel with access door (Security lock opt.)
Door 6" x 6"



"AC"
End cap with access door (left side shown) (Security lock opt.)
Door 6" x 6"



Snap mounting channel detail



Floor mounting angle detail

Notes:

- All accessories are overlap type, butt type optional (except as noted)

[Back to Index](#)

Design data

The Institute of Boiler and Radiator Manufacturers sponsored a test program at the University of Illinois to determine the effect of water velocity on heat output of various sizes of finned tubed element.

The results of this test show that when the water velocity falls below 0.4 f.p.s., the flow changes from turbulent to streamline. With systems designed at water velocities below this point the output cannot be accurately predicted so should always be avoided.

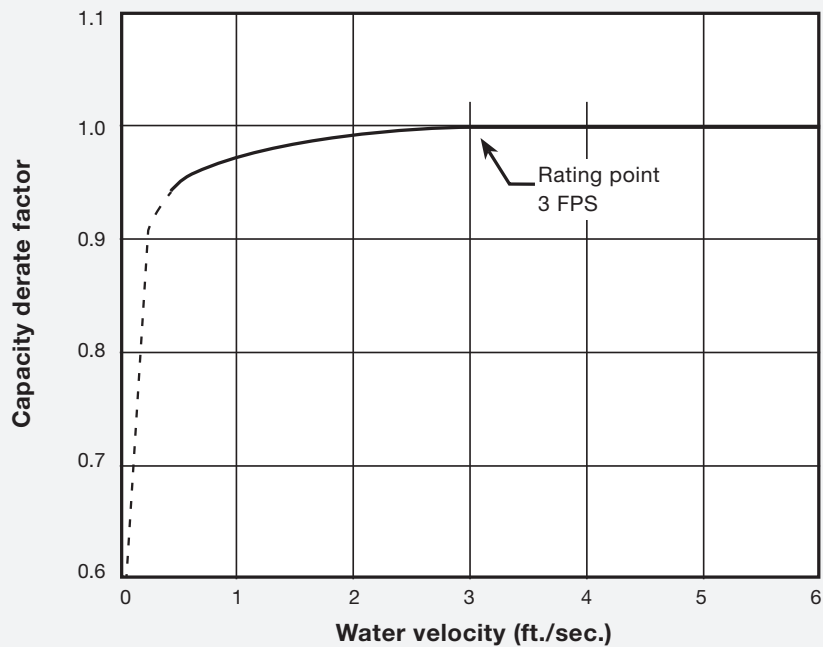
Figure 1 shows rating factors that can be utilized when the water velocity falls below 3 f.p.s.

It is recommended when designing low-load systems that the water velocity be a key factor in element selection.

For more information on this topic, please refer to the 1969 equipment volume of ASHRAE Guide and Data Book Page #393.

The effects of water velocity on finned tube output

Figure 1
Effect of Water Velocity on Finned Tube Output



Note:
 ■ ---- below critical velocity

Figure 3
Expansion in steel and copper piping

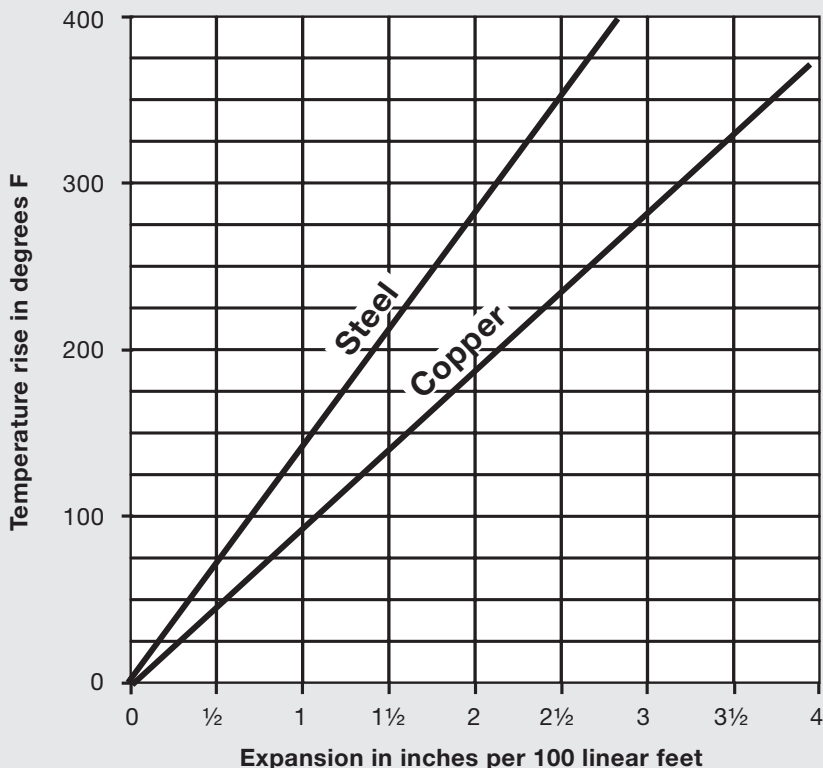


Figure 2
Pipe water capacities and quantities circulated at velocity of 3 feet per second*

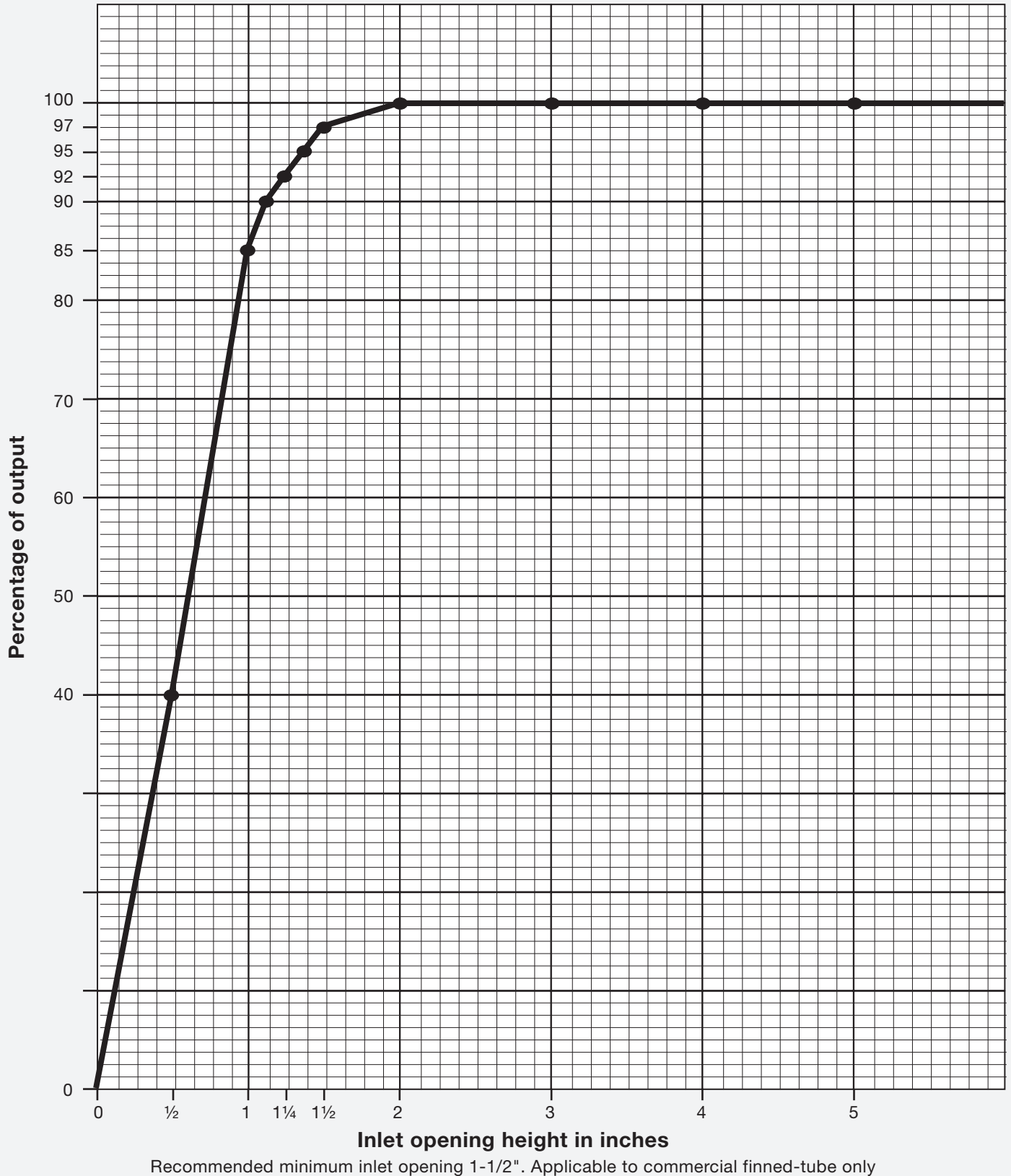
Pipe Size	Gallons per linear foot	Gallons per minute*	Pounds per hour*
1/2"	.016	2.88	1440
3/4"	.023	4.14	2070
1"	.040	7.20	3600
1-1/4"	.063	11.34	5660
1-1/2"	.102	18.36	9160
2"	.170	30.60	15300
2-1/2"	.275	49.50	24850
3"	.390	70.20	35000

Note:
 ■ *3 feet per second velocity is basis for hot water rating factors shown on this page

$$\text{Velocity ft./sec.} = \frac{\text{lbs./hr.}}{(\text{gal./ft.}) (3600) (8.3)}$$

Design data

Figure 4 - Inlet vs. output / BTUH capacity reduction



Mechanical Specifications

General

Furnish and install finned tube heating elements and enclosures as indicated on plans, with required mounting components and accessories. Material shall be manufactured in accordance with Zehnder Rittling's High Quality Standards and in conformance to ISO 9001:2008 standards established and maintained by Zehnder Rittling of Buffalo, New York.

Steel heating elements

Steel heating elements shall consist of 0.027" thick galvanized fins permanently bonded to high pressure A106 seamless schedule 40B steel tubing by mechanically expanding the steel tubing to the steel fins. Steel tube wall thickness; 1" dia. - 0.0133", 1-1/4" dia. - 0.140", 2" dia - 0.154", prior to tube expansion.

Guaranteed working pressures:

1" IPS - 780 psig at temperature up to 650°F. 1-1/4" IPS - 660 psig at temperatures up to 650°F.
2" IPS - 405 psig at temperatures up to 650°F.

Copper-aluminum heating elements

Copper-Aluminum heating elements shall consist of 0.016" thick, 1100 grade aluminum fins permanently bonded to lightly annealed copper alloy 122 seamless drawn tubing by mechanically expanding the copper tubing to the aluminum fins. Copper tube wall thickness; 3/4" dia - 0.020", 1" dia. - 0.025", 1-1/4" dia. - 0.028", prior to tube expansion. Copper tube meets the following ASTM standard designations: ASTM B42, ASTM B68, ASTM B75, ASTM B88, ASTM B111, ASTM B152, ASTM B280.

Guaranteed working pressures:

1-1/4" CU - 194 psig at temperatures up to 300°F. 1" CU - 204 psig at temperature up to 300°F. 3/4" CU - 218 psig at temperatures up to 300°F.

Snap mounting channel or full back panel

Mounting channel shall be die formed from 23-gauge galvanized steel and the full back panel from 20-gauge galvanized steel. For rigidity, the top projection of the mounting channel or full back panel shall position the enclosure away from the wall so as to allow for installation or removal of enclosure without damage to wall. A urethane gasket is available to form air seal at wall (optional).

Hanger Brackets

All hanger brackets shall be die formed for rigidity. Brackets used for first row or one row of finned tube shall incorporate a positive-lock mounting clip for the enclosure. Brackets will be self-gauging, allowing for a single measurement installation.

All hangers must provide for lengthwise movement of elements during expansion and contraction as well as aligning elements to prevent contact with brackets, walls, or enclosure.

Enclosures & accessories

Enclosures shall be of the type as shown on the drawings. Enclosures shall be manufactured from 14-16-18-gauge cold rolled steel; 12-gauge not available. All wall mounted enclosures shall be reinforced with welded gussets. The joining of enclosure shall be accomplished by use of internal joggle joiners to provide for hairline joints and added rigidity. No sheet metal screws or other fastening devices shall be visible.

Securing the top portion of the enclosure to the wall will be accomplished by use of a full length mounting channel or full back panel.

The lower portion of open inlet enclosures will be secured by use of a positive-locking, bottom-mounting clip using fasteners, thus preventing removal without tools.

VL enclosures will be secured to the floor using floor mounting angle or channel (fasteners by others).

HL enclosures will be secured to the wall by the flange of the enclosure (with fasteners by others).

Pedestal enclosures will attach to the brackets which will be mounted directly to the floor, no wall supports or brackets are needed.

Mechanical Specifications

Dampers

Enclosure dampers shall be provided where indicated. Damper blades shall be fabricated from 18-gauge material painted to match enclosure color. Threaded damper screw and trunion shall provide positive operation of blade to provide variable heat output.

Damper shall be operated by solid plastic damper knobs attached to damper screw. Recessed security allen head operators shall be used in secure areas as indicated. Consult factory on enclosure heights of 8" or below.

Access door

Access doors shall be provided where noted on plans. Doors shall be 6"x6". Knob, security, slide damper also available. (Security damper must be operated by use of a hex key. Slide damper has limited availability.)

BG/PBG/SBG

Aluminum discharge grille shall run the continuous length of the enclosure. The grille shall have a standard mill finish with straight vanes with 0° deflection. The grille shall be pencil proof.

IBG/PIBG/SIBG

Aluminum discharge grille shall run the continuous length of the enclosure. The grille shall have a clear (204-R1) anodized finish. The grille will have a 15° deflection and be pencil proof.

Paint

All enclosures and accessories shall be degreased and chemically phosphatized before application of a durable, attractive, electrostatic epoxy powder coating. Decorator colors are available from Zehnder Rittling color selector chart

In the interest of product improvement, we reserve the right to make product and specification changes without notice.

Special applications

Zehnder Rittling's reputation for leadership in commercial heating systems design and fabrication thrives on a demonstrated ability to modify or adapt components from our vast standard inventory and to break new ground with innovative applications.

Our ingenuity and expertise free architects from the constraints of hydronic-heating conventions. We can, for instance, customize enclosures to any dimensions in stainless, textured embossed, or perforated steel for installation anywhere: in ceilings, walls, or trenches. We'll angle finned tube systems to match the wall or slope of a floor. We can even fabricate the enclosure to match the curve of a wall. We'll fabricate all copper heating elements, bronze anodized and other specialty outlet grilles, or pipe enclosures without grilles. Challenge us and we'll build it!

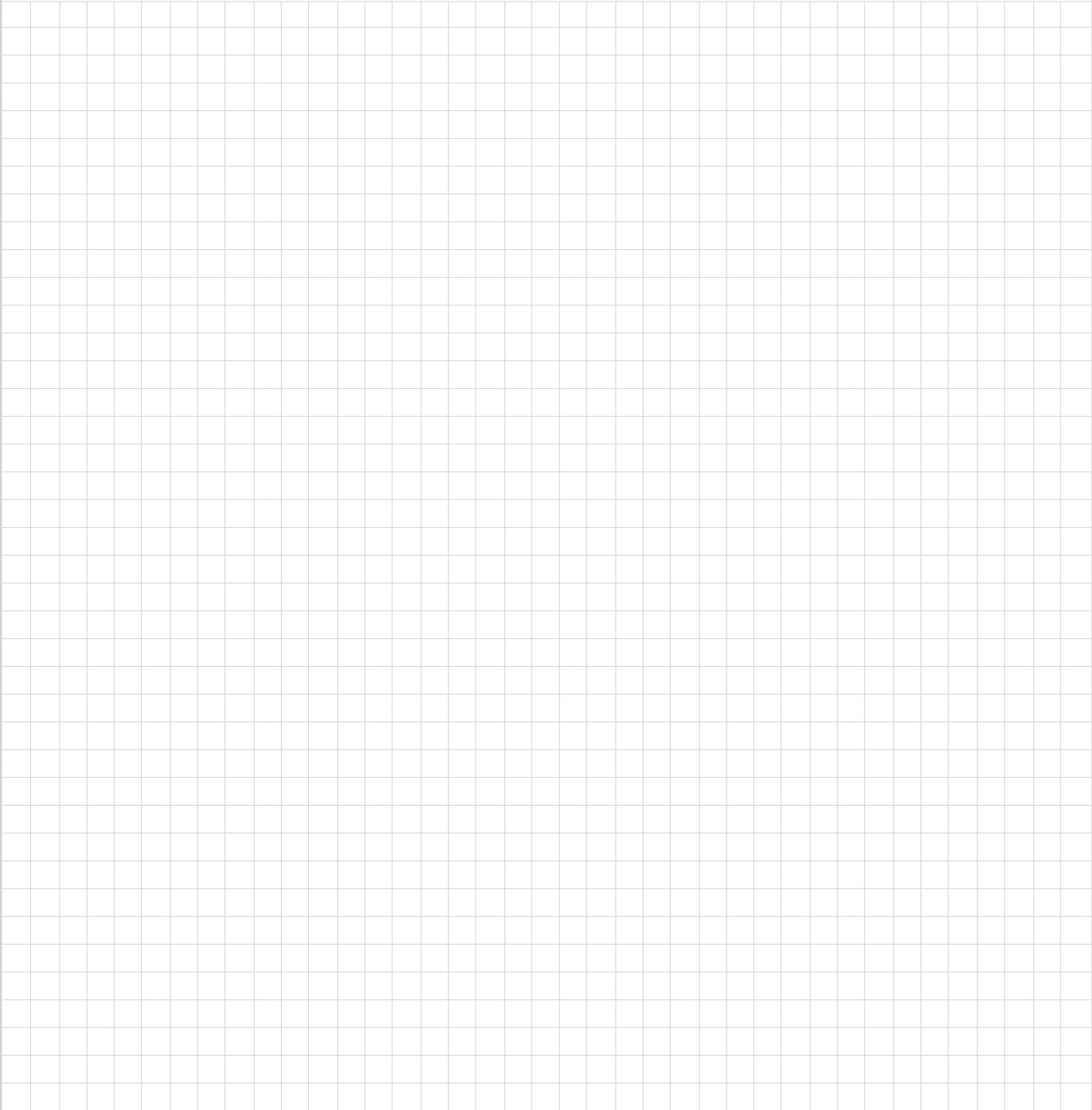
If you have a special application you would like us to evaluate, please call to arrange a consultation with a Zehnder expert.

zehnder

always the
best climate

Always the best climate for

SMART IDEAS



The brand
with the
best indoor
climate
solutions.

NUMBERS THAT SPEAK FOR THEMSELVES

MANUFACTURER OF THE

1ST

STEEL RADIATOR IN
THE WORLD

121

YEARS OF INNOVATIVE TRADITION

AROUND

3,000

EMPLOYEES

FOUNDED IN

1895

REPRESENTED IN
COUNTRIES

19

1,800,000

TONNES OF CO₂ SAVED SINCE 2005

WARRANTY

Zehnder guarantees its products to be free from defects in material and workmanship for a period of one year from date of shipment from our Buffalo, New York factory.

Should there be any defects in the good(s), the purchaser should promptly notify Zehnder and upon receipt of written consent from Zehnder, the purchaser shall return the defective good(s) to the factory for inspection with freight prepaid. If inspection shows the goods to be defective, Zehnder will at its discretion repair or replace the said item(s).

Defects arising from damage due to shipment, improper installation, negligence or misuse by others are not covered by this warranty.



Comfortable indoor ventilation

Our comfortable indoor ventilation is energy-efficient and provides a healthy indoor climate. It promotes the well-being of the occupants and increases the value of the property.



Heating and cooling ceiling systems

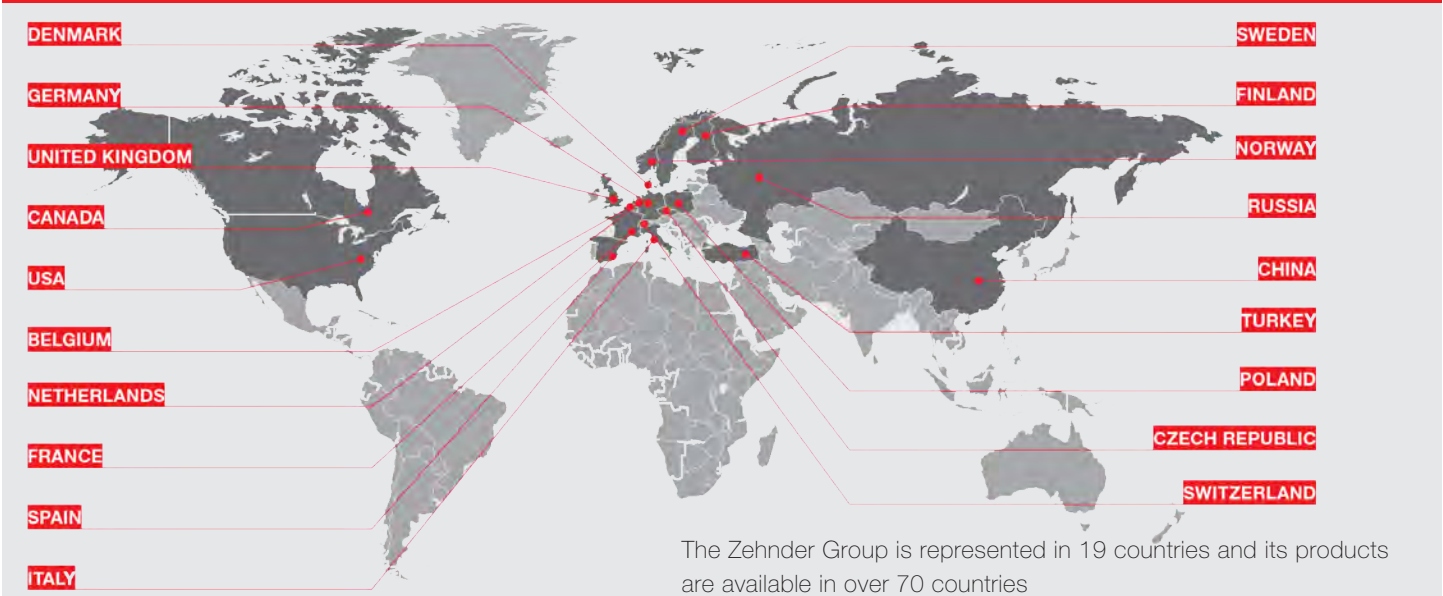
Zehnder heating and cooling ceiling systems are convenient and energy-efficient for heating and cooling. They are perfectly attuned to the relevant environment.



Clean air solutions

Clean air solutions from Zehnder reduce the level of dust in the air, create a healthier working climate and reduce the amount of cleaning required.

BEST CLIMATE IN THE WORLD



This warranty is extended only to the original purchaser from Zehnder.

IMPORTANT: Approved submittal documentation, specific to each project, supersedes the general guidelines contained within this document.

zehnder

The Zehnder brand offers excellent indoor climate solutions within the sectors of decorative radiators, clean air solutions, comfortable indoor ventilation and heating and cooling ceiling systems.

