



DESCRIPTION

Bucket Whisper Fans are effective in almost any commercial, educational, government or industrial building of 15 to 30 feet height. Attractive design, quiet operation, speed controllable and easy to install.

The directing vanes are located at outlet from the Bucket Fan Whisper to provide a long linear air flow.

Installing Bucket Whisper Fans near the cold air registers will actively direct the conditioned air where required, which results in tremendous energysavings.

Two year warranty.

CASING

The Bucket Fan Whisper casing is made of polymer-coated steel. The Bucket Fan Whisper casing is perforated and has mineral wool insulation to attenuate sound produced by the axial fan.

MOTOR

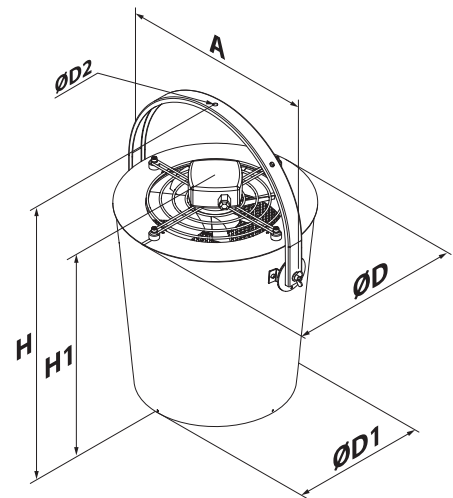
Asynchronous motor on ball bearings and thermal protection ensure the safe and smooth operation.

SUITABLE FOR:

Commercial, educational, government or industrial buildings.

DIMENSIONS

Model	Measurements [in.]					Weight [lbs]
	Ø D	Ø D1	H	H1	A	
Bucket Fan Whisper 420	15 1/8"	11 7/8"	24 5/8"	18 7/16"	17 15/16"	24.3
Bucket Fan Whisper 1055	17 1/16"	13 7/8"	27 5/8"	20 3/8"	19 15/16"	32
Bucket Fan Whisper 1460	19 1/16"	15 13/16"	30 9/16"	22 3/8"	21 7/8"	37.5



Tel: 888-640-0925
513-348-3853
Fax: 513-268-4597

Sales@ventsus.com
VentsUS.com
11013 Kenwood Road,
Cincinnati, Ohio 45242





BUCKET FAN WHISPER

PRODUCT SPECIFICATIONS

TECHNICAL DATA

BUCKET FAN

PERFORMANCE

Model	RPM	Max Watts	Max Amps	Airflow CFM (L/s)	Air flow speed depending on Bucket fan distance point (ft), fpm											Volts / Hz
					3	6	10	13	15	20	23	25	30	33	35	
Bucket Whisper Fan 420	1700	60	0.51	420 (198)	378	270	220	156	90	60	20	-	-	-	-	120/60
Bucket Whisper Fan 1055	1675	94	0.8	1055 (498)	918	594	380	234	162	120	79	38	20	-	-	120/60
Bucket Whisper Fan 1460	1685	162	1.38	1460 (689)	1100	756	760	468	324	300	217	169	120	59	19	120/60

Noise level vs. Bucket Fan Whisper hanging height

	Bucket Fan Whisper 420	Bucket Fan Whisper 1055	Bucket Fan Whisper 1460
20'	2.9	3.5	5
25'	2.6	3.1	4.7
30'	2.3	2.7	4.4
40'	2.0	2.3	4.1

MODEL	QUANTITY	COMMENTS	PROJECT
			location:
			architect:
			engineer:
			contractor:
			submitted by:

Tel: 888-640-0925 Sales@ventsus.com
 513-348-3853 VentsUS.com
 Fax: 513-268-4597 11013 Kenwood Road,
 Cincinnati, Ohio 45242

