



INDUSTRIAL DIRECT DRIVE 14

Positive Indirect Gas Heated Air Curtain

Data Sheet

For Mounting Heights To 14' (environmental separation)

STANDARD CONSTRUCTION

- 1 hp single speed motor(s) - direct drive (Optional: two-speed)
- Gray powder coated exterior with mill aluminum screen and access panels (Optional: Custom Color or Stainless)
- Top Mounting only
- Front air intake only
- High efficiency Pro-V Nozzle

- Factory mounted duct transition with bottom access panels
- Field installed ETL (US and Canada) & AHRI Certified indirect gas heater(s):
 - Aluminized steel heat exchanger (Optional: Stainless)
 - Steel cabinet with beige finish
 - Spark ignited pilot
 - Power venter
 - Separate 120V power supply required (Optional: transformer for single point connection)

**2 Year
Limited
Warranty**



MODEL	Nozzle Width (in)	Max Vel. at Nozzle (fpm)	Avg. Outlet Vel. (fpm)	Air Volume (cfm)	Outlet Vel. Uniformity	Power Rating (kW)	Motor(s) @ hp	Heater(s) @ Input (MBH)	Total Heater Output (MBH)	Air Temp. Rise (°F)	Net Wt. Curtain (lbs)	Air Duct Trans. (lbs)	Net Wt. Heater (lbs)
IDC14-1036G	36.00	7,567	2,738	2,396	87%	1.12	1 @ 1	1 @ 100	80.0	31°	103	59	125
IDC14-1042G	42.00	7,040	2,435	2,486	81%	1.12	1 @ 1	1 @ 100	80.0	30°	109	66	125
IDC14-1048G	48.00	7,175	2,173	2,535	84%	1.25	1 @ 1	1 @ 100	80.0	29°	114	74	125
IDC14-1060G	66.00	6,886	1,620	2,598	80%	1.28	1 @ 1	1 @ 100	80.0	28°	125	96	125
IDC14-2060G	66.00	7,520	3,136	4,574	97%	2.07	2 @ 1	1 @ 195	156.0	31°	175	95	145
IDC14-2072G	72.00	7,567	2,738	4,792	87%	2.24	2 @ 1	1 @ 195	156.0	30°	184	102	145
IDC14-2078G	78.00	7,040	2,575	4,882	81%	2.24	2 @ 1	1 @ 195	156.0	29°	190	110	145
IDC14-2084G	84.00	7,040	2,435	4,972	81%	2.24	2 @ 1	1 @ 195	156.0	29°	195	117	145
IDC14-2096G	99.00	7,175	2,173	5,070	84%	2.50	2 @ 1	1 @ 195	156.0	28°	205	136	145
IDC14-3096G	99.00	7,567	2,987	6,970	87%	3.19	3 @ 1	1 @ 300	240.0	32°	249	127	270
IDC14-2108G	108.00	6,886	1,956	5,133	80%	2.53	2 @ 1	1 @ 195	156.0	28°	248	147	145
IDC14-3108G	108.00	7,567	2,738	7,188	87%	3.36	3 @ 1	1 @ 300	240.0	31°	292	138	270
IDC14-2120G	117.00	6,886	1,827	5,197	80%	2.56	2 @ 1	1 @ 195	156.0	28°	255	158	145
IDC14-3120G	117.00	7,040	2,526	7,368	81%	3.36	3 @ 1	1 @ 300	240.0	30°	299	149	270
IDC14-3132G	132.00	7,040	2,340	7,507	81%	3.49	3 @ 1	1 @ 345	276.0	34°	320	168	285
IDC14-3144G	144.00	7,175	2,173	7,605	84%	3.75	3 @ 1	1 @ 345	276.0	33°	334	183	285
IDC14-4144G	144.00	7,567	2,738	9,584	87%	4.48	4 @ 1	1 @ 390	312.0	30°	378	183	285
IDC14-4156G	156.00	7,040	2,575	9,764	81%	4.48	4 @ 1	2 @ 195	312.0	29°	394	193	2 @ 145
IDC14-4168G	168.00	7,040	2,435	9,944	81%	4.48	4 @ 1	2 @ 195	312.0	29°	406	208	2 @ 145
IDC14-4180G	180.00	7,040	2,295	10,042	81%	4.74	4 @ 1	2 @ 195	312.0	29°	419	223	2 @ 145
IDC14-5180G	180.00	7,567	2,738	11,980	87%	5.60	5 @ 1	2 @ 250	400.0	31°	463	206	2 @ 225
IDC14-4192G	192.00	7,175	2,173	10,140	84%	5.00	4 @ 1	2 @ 195	312.0	28°	431	238	2 @ 145
IDC14-5192G	192.00	7,175	2,580	12,040	84%	5.69	5 @ 1	2 @ 250	400.0	31°	475	221	2 @ 225

NOTES:

1. Operation at 50 Hz will generate approximately a 17% reduction in performance.
2. Performance data based on AMCA licensed data from unheated units.
3. Maximum leaving air temperature shall not exceed 120°F.
4. Duct transition is factory mounted to air curtain and requires individual support.
5. Gas heater(s) shall not be directly connected to transition and require individual support.
6. Maximum gas supply pressure: 1/2 psi, 8 ounces, or 14 inches water column.
7. Vertically mounted indirect gas heated air curtain not available.

Berner does not recommend IDC14-1060G, IDC14-2108G and IDC14-2120G, exist only as an equivalent to competitors' models. See sheet EP-418 for amp draws/total load requirements.

MODEL NUMBER CONFIGURATION

IDC14-1 036 G A-F-SS

Series	# of Motors	Opening Width	Heat	Voltage	Intake	Opt. Cabinet Finish
IDC14	1, 2, 3, 4, 5	036" - 192"	G=Indirect Gas Heated	*A=120/1/60 B=208/1/60 J=240/1/60 V=220/1/50 X=208/3/60 Y=240/3/60 Z=480/3/60 Q=600/3/60 O=380/3/50	F=Front	SS=Stainless Steel CC=Custom Color

*Suitable for 50hz

Sound level measured 10' (3m) from the unit in free field:
1, 2, 3, 4 & 5 motor(s): 66 dBA, 69 dBA, 71 dBA, 72 dBA & 73 dBA

Berner reserves the right to alter specifications without prior notice.



INDUSTRIAL DIRECT DRIVE 14

Positive Indirect Gas Heated Air Curtain
Electrical Performance Sheet

120/1/60 (voltage code A)

120V MOTOR AMP DRAW = 12.6 each

MODEL	HEATER MBH	Temp Rise °F	# CKTS	MULTIPLE CKT - MOTOR PANEL & HEATER				SINGLE CKT - MOTOR PANEL & XFMR FOR HTR.			
				AMPS PER CIRCUIT		BREAKER RATING PER CIRCUIT		# CKTS	XFMR KVA	AMPS PER CIRCUIT (including XFMR)	BREAKER RATING PER CIRCUIT
				MOTOR 120V CKT	HEATER 120V CKT	MOTOR 120V CKT	HEATER 120V CKT				
IDC14-1036G IDC14-1042G IDC14-1048G IDC14-1060G	1 @ 100	47	2	12.6	6.0	30	15	N/A	N/A	N/A	N/A
IDC14-2060G IDC14-2072G IDC14-2078G IDC14-2084G IDC14-2096G IDC14-2108G IDC14-2120G	1 @ 195	34	2	25.2	6.0	40	15	N/A	N/A	N/A	N/A
IDC14-3096G IDC14-3108G IDC14-3120G	1 @ 300	32	2	37.8	9.0	60	15	N/A	N/A	N/A	N/A
IDC14-3132G IDC14-3144G	1 @ 345	30	2	37.8	9.0	60	15	N/A	N/A	N/A	N/A
IDC14-4144G	1 @ 390	30	2	50.4	9.0	100	15	N/A	N/A	N/A	N/A
IDC14-4156G IDC14-4168G IDC14-4180G IDC14-4192G	2 @ 195	34	3	50.4	6.0/6.0	100	15/15	N/A	N/A	N/A	N/A
IDC14-5180G IDC14-5192G	2 @ 250	34	3	63.0	6.0/6.0	100	15/15	N/A	N/A	N/A	N/A



INDUSTRIAL DIRECT DRIVE 14

**Positive Indirect Gas Heated Air Curtain
Electrical Performance Sheet**

208/1/60 (voltage code B)											
208V MOTOR AMP DRAW = 6.5 each											
MULTIPLE CKT - MOTOR PANEL & HEATER								SINGLE CKT - MOTOR PANEL & XFMR FOR HTR.			
MODEL	HEATER MBH	Temp Rise °F	# CKTS	AMPS PER CIRCUIT		BREAKER RATING PER CIRCUIT		# CKTS	XFMR KVA	AMPS PER CIRCUIT (including XFMR)	BREAKER RATING PER CIRCUIT
				MOTOR 208V CKT	HEATER 120V CKT	MOTOR 208V CKT	HEATER 120V CKT				
IDC14-1036G IDC14-1042G IDC14-1048G IDC14-1060G	1 @ 100	47	2	6.5	6.0	15	15	1	1	11.3	15
IDC14-2060G IDC14-2072G IDC14-2078G IDC14-2084G IDC14-2096G IDC14-2108G IDC14-2120G	1 @ 195	34	2	13.0	6.0	20	15	1	1	17.8	25
IDC14-3096G IDC14-3108G IDC14-3120G	1 @ 300	32	2	19.5	9.0	30	15	1	1	24.3	35
IDC14-3132G IDC14-3144G	1 @ 345	30	2	19.5	9.0	30	15	1	1	24.3	35
IDC14-4144G	1 @ 390	30	2	26.0	9.0	35	15	1	1	30.8	45
IDC14-4156G IDC14-4168G IDC14-4180G IDC14-4192G	2 @ 195	34	3	26.0	6.0/6.0	35	15/15	1	2	35.6	45
IDC14-5180G IDC14-5192G	2 @ 250	34	3	32.5	6.0/6.0	45	15/15	1	2	42.1	60



INDUSTRIAL DIRECT DRIVE 14

**Positive Indirect Gas Heated Air Curtain
Electrical Performance Sheet**

240/1/60 (voltage code J) or 220/1/50 (voltage code V)											
240V MOTOR AMP DRAW = 6.5 each											
MULTIPLE CKT - MOTOR PANEL & HEATER								SINGLE CKT - MOTOR PANEL & XFMR FOR HTR.			
MODEL	HEATER MBH	Temp Rise °F	# CKTS	AMPS PER CIRCUIT		BREAKER RATING PER CIRCUIT		# CKTS	XFMR KVA	AMPS PER CIRCUIT (including XFMR)	BREAKER RATING PER CIRCUIT
				MOTOR 240V CKT	HEATER 120V CKT	MOTOR 240V CKT	HEATER 120V CKT				
IDC14-1036G IDC14-1042G IDC14-1048G IDC14-1060G	1 @ 100	47	2	6.5	6.0	15	15	1	1	10.7	15
IDC14-2060G IDC14-2072G IDC14-2078G IDC14-2084G IDC14-2096G IDC14-2108G IDC14-2120G	1 @ 195	34	2	13.0	6.0	20	15	1	1	17.2	25
IDC14-3096G IDC14-3108G IDC14-3120G	1 @ 300	32	2	19.5	9.0	30	15	1	1	23.7	30
IDC14-3132G IDC14-3144G	1 @ 345	30	2	19.5	9.0	30	15	1	1	23.7	30
IDC14-4144G	1 @ 390	30	2	26.0	9.0	35	15	1	1	30.2	45
IDC14-4156G IDC14-4168G IDC14-4180G IDC14-4192G	2 @ 195	34	3	26.0	6.0/6.0	35	15/15	1	2	34.3	45
IDC14-5180G IDC14-5192G	2 @ 250	34	3	32.5	6.0/6.0	45	15/15	1	2	40.8	60



INDUSTRIAL DIRECT DRIVE 14

**Positive Indirect Gas Heated Air Curtain
Electrical Performance Sheet**

208/3/60 (voltage code X)											
208V MOTOR AMP DRAW = 6.5 each											
MULTIPLE CKT - MOTOR PANEL & HEATER								SINGLE CKT - MOTOR PANEL & XFMR FOR HTR.			
MODEL	HEATER MBH	Temp Rise °F	# CKTS	AMPS PER CIRCUIT		BREAKER RATING PER CIRCUIT		# CKTS	XFMR KVA	AMPS PER CIRCUIT (including XFMR)	BREAKER RATING PER CIRCUIT
				MOTOR 208V CKT	HEATER 120V CKT	MOTOR 208V CKT	HEATER 120V CKT				
IDC14-1036G IDC14-1042G IDC14-1048G IDC14-1060G	1 @ 100	47	2	6.5	6.0	15	15	1	1	11.3	15
IDC14-2060G IDC14-2072G IDC14-2078G IDC14-2084G IDC14-2096G IDC14-2108G IDC14-2120G	1 @ 195	34	2	13.0	6.0	20	15	1	1	17.8	25
IDC14-3096G IDC14-3108G IDC14-3120G	1 @ 300	32	2	19.5	9.0	30	15	1	1	24.3	35
IDC14-3132G IDC14-3144G	1 @ 345	30	2	19.5	9.0	30	15	1	1	24.3	35
IDC14-4144G	1 @ 390	30	2	26.0	9.0	35	15	1	1	30.8	45
IDC14-4156G IDC14-4168G IDC14-4180G IDC14-4192G	2 @ 195	34	3	26.0	6.0/6.0	35	15/15	1	2	35.6	45
IDC14-5180G IDC14-5192G	2 @ 250	34	3	32.5	6.0/6.0	45	15/15	1	2	42.1	60



INDUSTRIAL DIRECT DRIVE 14

Positive Indirect Gas Heated Air Curtain
Electrical Performance Sheet

240/3/60 (voltage code Y)											
240V MOTOR AMP DRAW = 6.5 each											
MULTIPLE CKT - MOTOR PANEL & HEATER								SINGLE CKT - MOTOR PANEL & XFMR FOR HTR.			
MODEL	HEATER MBH	Temp Rise °F	# CKTS	AMPS PER CIRCUIT		BREAKER RATING PER CIRCUIT		# CKTS	XFMR KVA	AMPS PER CIRCUIT (including XFMR)	BREAKER RATING PER CIRCUIT
				MOTOR 240V CKT	HEATER 120V CKT	MOTOR 240V CKT	HEATER 120V CKT				
IDC14-1036G IDC14-1042G IDC14-1048G IDC14-1060G	1 @ 100	47	2	6.5	6.0	15	15	1	1	10.7	15
IDC14-2060G IDC14-2072G IDC14-2078G IDC14-2084G IDC14-2096G IDC14-2108G IDC14-2120G	1 @ 195	34	2	13.0	6.0	20	15	1	1	17.2	25
IDC14-3096G IDC14-3108G IDC14-3120G	1 @ 300	32	2	19.5	9.0	30	15	1	1	23.7	30
IDC14-3132G IDC14-3144G	1 @ 345	30	2	19.5	9.0	30	15	1	1	23.7	30
IDC14-4144G	1 @ 390	30	2	26.0	9.0	35	15	1	1	30.2	45
IDC14-4156G IDC14-4168G IDC14-4180G IDC14-4192G	2 @ 195	34	3	26.0	6.0/6.0	35	15/15	1	2	34.3	45
IDC14-5180G IDC14-5192G	2 @ 250	34	3	32.5	6.0/6.0	45	15/15	1	2	40.8	60

Berner reserves the right to alter specifications without prior notice.



INDUSTRIAL DIRECT DRIVE 14

**Positive Indirect Gas Heated Air Curtain
Electrical Performance Sheet**

480/3/60 (voltage code Z)											
480V MOTOR AMP DRAW = 3.2 each											
MODEL	HEATER MBH	Temp Rise °F	# CKTS	MULTIPLE CKT - MOTOR PANEL & HEATER				SINGLE CKT - MOTOR PANEL & XFMR FOR HTR.			
				AMPS PER CIRCUIT		BREAKER RATING PER CIRCUIT		# CKTS	XFMR KVA	AMPS PER CIRCUIT (including XFMR)	BREAKER RATING PER CIRCUIT
				MOTOR 480V CKT	HEATER 120V CKT	MOTOR 480V CKT	HEATER 120V CKT				
IDC14-1036G IDC14-1042G IDC14-1048G IDC14-1060G	1 @ 100	47	2	3.2	6.0	15	15	1	1	5.3	15
IDC14-2060G IDC14-2072G IDC14-2078G IDC14-2084G IDC14-2096G IDC14-2108G IDC14-2120G	1 @ 195	34	2	6.4	6.0	15	15	1	1	8.5	15
IDC14-3096G IDC14-3108G IDC14-3120G	1 @ 300	32	2	9.6	9.0	15	15	1	1	11.7	15
IDC14-3132G IDC14-3144G	1 @ 345	30	2	9.6	9.0	15	15	1	1	11.7	15
IDC14-4144G	1 @ 390	30	2	12.8	9.0	20	15	1	1	14.9	25
IDC14-4156G IDC14-4168G IDC14-4180G IDC14-4192G	2 @ 195	34	3	12.8	6.0/6.0	20	15/15	1	2	17.0	25
IDC14-5180G IDC14-5192G	2 @ 250	34	3	16.0	6.0/6.0	20	15/15	1	2	20.2	30



INDUSTRIAL DIRECT DRIVE 14

Positive Indirect Gas Heated Air Curtain
Electrical Performance Sheet

600/3/60 (voltage code Q)													
600V MOTOR AMP DRAW = 2.0 each													
MODEL	HEATER MBH		Temp Rise °F		# CKTS	MULTIPLE CKT - MOTOR PANEL & HEATER				SINGLE CKT - MOTOR PANEL & XFMR FOR HTR.			
						AMPS PER CIRCUIT		BREAKER RATING PER CIRCUIT		# CKTS	XFMR KVA	AMPS PER CIRCUIT (including XFMR)	BREAKER RATING PER CIRCUIT
						MOTOR 600V CKT	HEATER 120V CKT	MOTOR 600V CKT	HEATER 120V CKT				
IDC14-1036G IDC14-1042G IDC14-1048G IDC14-1060G	1 @ 100		47		2	2.0	6.0	15	15	1	1	3.7	15
IDC14-2060G IDC14-2072G IDC14-2078G IDC14-2084G IDC14-2096G IDC14-2108G IDC14-2120G	1 @ 195		34		2	4.0	6.0	15	15	1	1	5.7	15
IDC14-3096G IDC14-3108G IDC14-3120G	1 @ 300		32		2	6.0	9.0	15	15	1	1	7.7	15
IDC14-3132G IDC14-3144G	1 @ 345		30		2	6.0	9.0	15	15	1	1	7.7	15
IDC14-4144G	1 @ 390		30		2	8.0	9.0	15	15	1	1	9.7	15
IDC14-4156G IDC14-4168G IDC14-4180G IDC14-4192G	2 @ 195		34		3	8.0	6.0/6.0	15	15/15	1	2	11.3	15
IDC14-5180G IDC14-5192G	2 @ 250		34		3	10.0	6.0/6.0	15	15/15	1	2	13.3	20

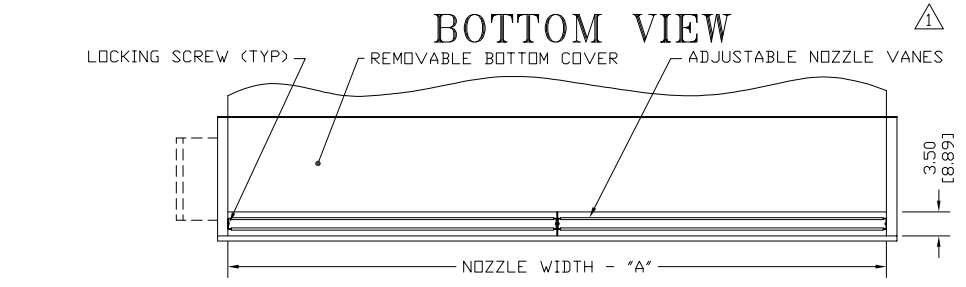
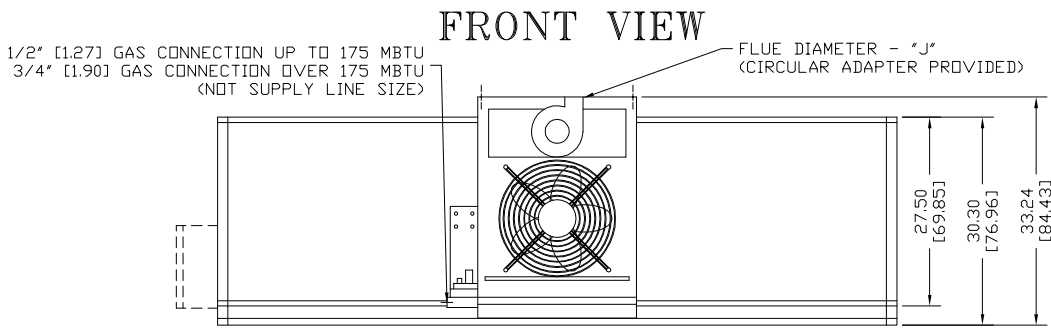
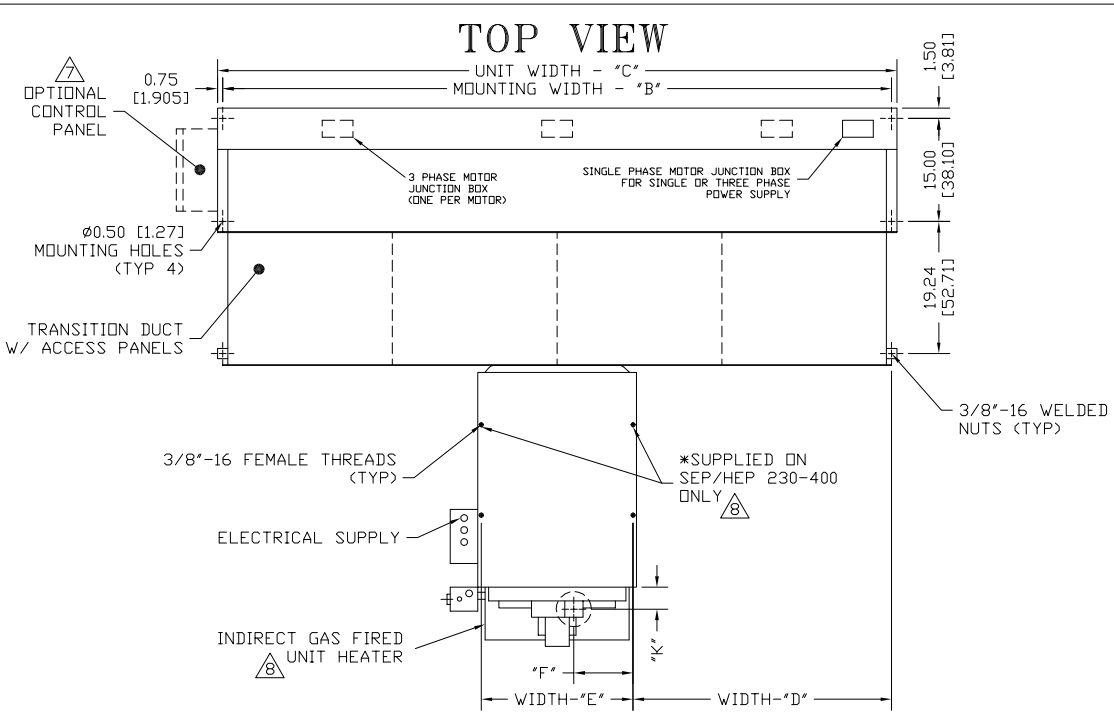
Berner reserves the right to alter specifications without prior notice.



INDUSTRIAL DIRECT DRIVE 14

**Positive Indirect Gas Heated Air Curtain
Electrical Performance Sheet**

380/3/50 (voltage code O)											
380V MOTOR AMP DRAW = 6.5 each											
MULTIPLE CKT - MOTOR PANEL & HEATER								SINGLE CKT - MOTOR PANEL & XFMR FOR HTR.			
MODEL	HEATER MBH	Temp Rise °F	# CKTS	AMPS PER CIRCUIT		BREAKER RATING PER CIRCUIT		# CKTS	XFMR KVA	AMPS PER CIRCUIT (including XFMR)	BREAKER RATING PER CIRCUIT
				MOTOR 380V CKT	HEATER 120V CKT	MOTOR 380V CKT	HEATER 120V CKT				
IDC14-1036G IDC14-1042G IDC14-1048G IDC14-1060G	1 @ 100	47	2	6.5	6.0	15	15	1	1	11.0	15
IDC14-2060G IDC14-2072G IDC14-2078G IDC14-2084G IDC14-2096G IDC14-2108G IDC14-2120G	1 @ 195	34	2	13.0	6.0	20	15	1	1	17.5	25
IDC14-3096G IDC14-3108G IDC14-3120G	1 @ 300	32	2	19.5	9.0	30	15	1	1	24.0	35
IDC14-3132G IDC14-3144G	1 @ 345	30	2	19.5	9.0	30	15	1	1	24.0	35
IDC14-4144G	1 @ 390	30	2	26.0	9.0	35	15	1	1	30.5	45
IDC14-4156G IDC14-4168G IDC14-4180G IDC14-4192G	2 @ 195	34	3	26.0	6.0/6.0	35	15/15	1	2	35.1	45
IDC14-5180G IDC14-5192G	2 @ 250	34	3	32.5	6.0/6.0	45	15/15	1	2	41.6	60



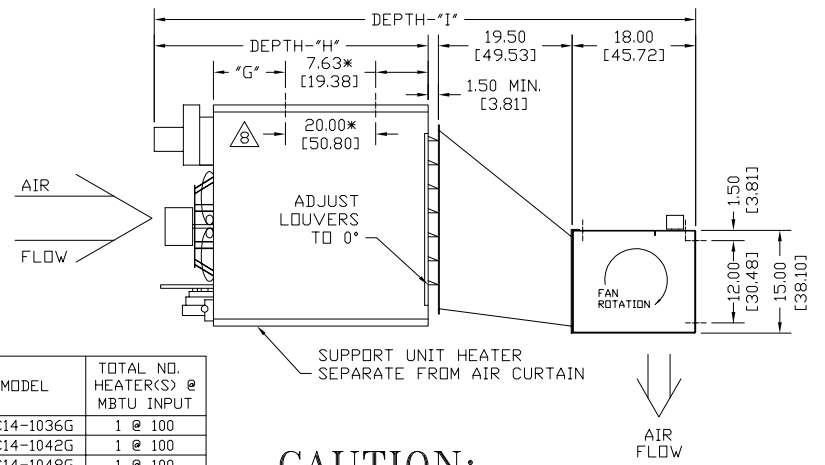
IDC14

INDIRECT GAS HEATED ONE HEATER SYSTEM

NOTES:

- 1 AIR CURTAIN MUST BE INSTALLED SO AIR STREAM IS NOT OBSTRUCTED WHEN DEFLECTED 20° TO EITHER SIDE OF \bar{C} .
- 2 ELECTRICAL CONNECTIONS TO BE FLEXIBLE.
- 3 FIELD VERIFY DIMENSIONS.
- 4 ANCHORS TO SUPPORTING STRUCTURE BY OTHERS.
- 5 ADEQUACY OF SUPPORTING STRUCTURE IS TO BE VERIFIED BY A PROFESSIONAL STRUCTURAL ENGINEER.
- 6 LETTER 'G' IN MODEL NUMBER DESIGNATES POSITIVE INDIRECT GAS HEATER UNIT.
- 7 STANDARD CONTROL PANEL LEFT HAND MOUNT, OPTIONAL RIGHT HAND MOUNT, OR REMOTE. PLEASE SPECIFY.
- 8 SEP 230-400 FURNACES HAVE TWO FANS AND FOUR MOUNTING POINTS.
- 9 SUPPLY PRESSURES HIGHER THAN 0.50 POUND REQUIRE INSTALLATION OF AN ADDITIONAL SERVICE REGULATOR EXTERNAL TO THE UNIT.
- 10 DIMENSIONS IN INCHES (CENTIMETERS).

END VIEW



MODEL	TOTAL NO. HEATER(S) @ MBTU INPUT
IDC14-1036G	1 @ 100
IDC14-1042G	1 @ 100
IDC14-1048G	1 @ 100
IDC14-1060G	1 @ 100
IDC14-2060G	1 @ 195
IDC14-2072G	1 @ 195
IDC14-2078G	1 @ 195
IDC14-2084G	1 @ 195
IDC14-2096G	1 @ 195
IDC14-3096G	1 @ 300
IDC14-2108G	1 @ 195
IDC14-3108G	1 @ 300
IDC14-2120G	1 @ 195
IDC14-3120G	1 @ 300
IDC14-3132G	1 @ 345
IDC14-3144G	1 @ 345
IDC14-4144G	1 @ 390

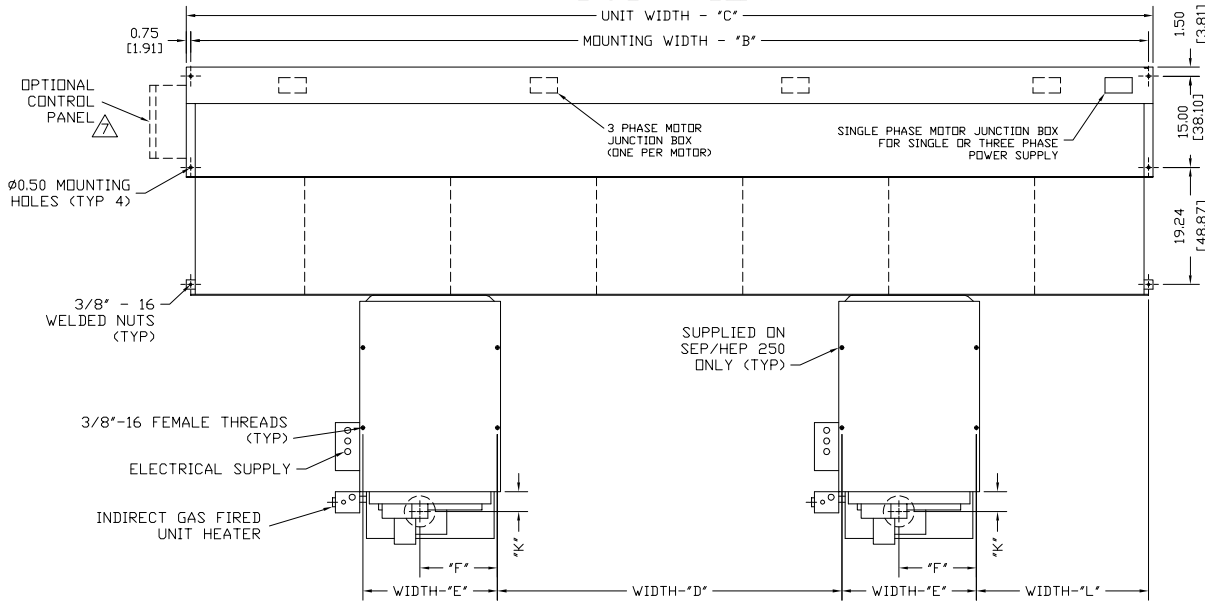
CAUTION:

HEATER IS EQUIPPED FOR A MAXIMUM GAS SUPPLY PRESSURE OF 1/2 POUND, 8 OUNCES, OR 14 INCHES WATER COLUMN.

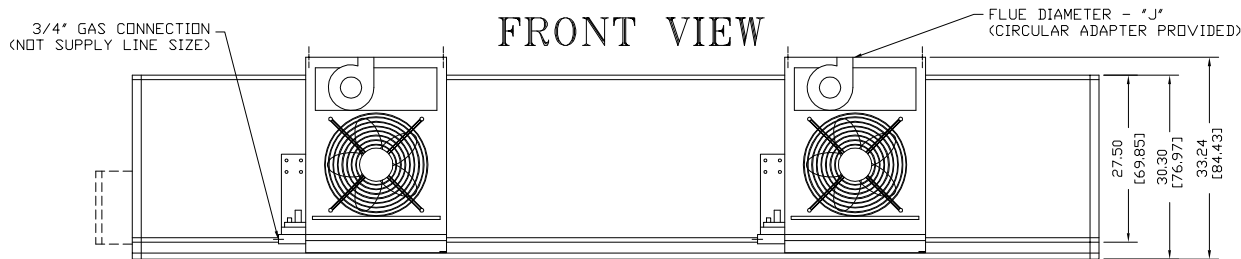
PROJECT		TITLE:	BERNER
LOCATION		DATE	29MAY14
ARCHITECT		BY	S. Beil
ENGINEER		REPLACES	-
		BY	-
DWG. NO.	IDC14-IGF1	MODEL IDC14 AIR CURTAIN INDIRECT GAS FIRED - ONE HEATER SYSTEM	
		BERNER INTERNATIONAL CORP. NEW CASTLE, PA.	

FOR DIMENSIONS SEE DWG. #IDC14-IGF3

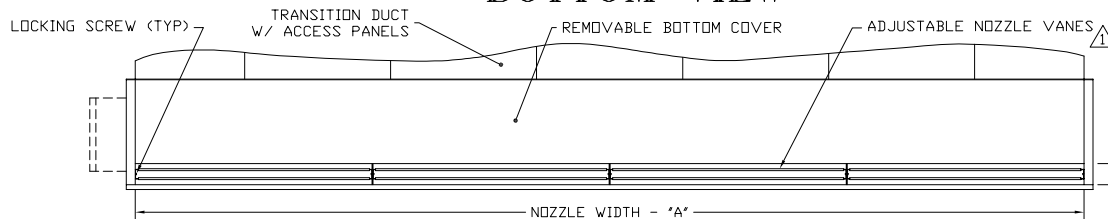
TOP VIEW



FRONT VIEW



BOTTOM VIEW



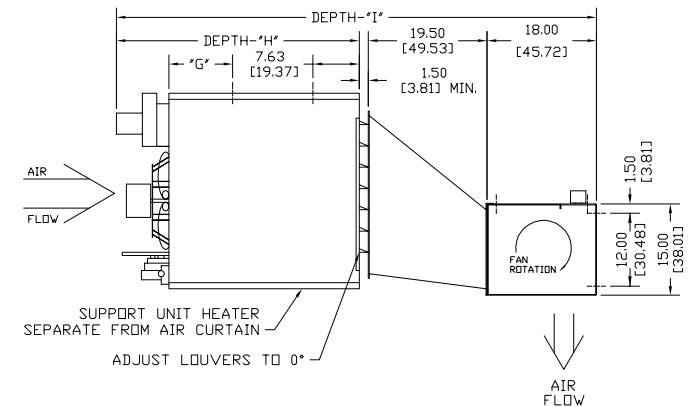
IDC14

INDIRECT GAS HEATED TWO HEATER SYSTEM

NOTES:

- 1 AIR CURTAIN MUST BE INSTALLED SO AIR STREAM IS NOT OBSTRUCTED WHEN DEFLECTED 20° TO EITHER SIDE OF C.
- 2 ELECTRICAL CONNECTIONS TO BE FLEXIBLE.
- 3 FIELD VERIFY DIMENSIONS.
- 4 ANCHORS TO SUPPORTING STRUCTURE BY OTHERS.
- 5 ADEQUACY OF SUPPORTING STRUCTURE IS TO BE VERIFIED BY A PROFESSIONAL STRUCTURAL ENGINEER.
- 6 LETTER 'G' IN MODEL NUMBER DESIGNATES, POSITIVE INDIRECT GAS HEATER UNIT.
- 7 STANDARD CONTROL PANEL LEFT HAND MOUNT, OPTIONAL RIGHT HAND MOUNT, OR REMOTE. PLEASE SPECIFY.
- 8 SEP 230-400 FURNACES HAVE TWO FANS AND FOUR MOUNTING POINTS.
- 9 SUPPLY PRESSURES HIGHER THAN 0.50 POUND REQUIRE INSTALLATION OF AN ADDITIONAL SERVICE REGULATOR EXTERNAL TO THE UNIT.
- 10 DIMENSIONS IN INCHES (CENTIMETERS).

END VIEW



CAUTION:

HEATER IS EQUIPPED FOR A MAXIMUM GAS SUPPLY PRESSURE OF 1/2 POUND, 8 OUNCES, OR 14 INCHES WATER COLUMN.

FOR DIMENSIONS SEE DWG. #IDC14-IGF3

MODEL	TOTAL NO. HEATER(S) @ MBTU INPUT
IDC14-4156G	2 @ 195
IDC14-4168G	2 @ 195
IDC14-4180G	2 @ 195
IDC14-5180G	2 @ 250
IDC14-4192G	2 @ 195
IDC14-5192G	2 @ 250

PROJECT	LOCATION	ARCHITECT	ENGINEER	REV.
				-
DWG. NO.	IDC14-IGF2	TITLE:	BERNER	
DATE	29MAY14	BY	MODEL IDC14 AIR CURTAIN	
REPLACES	-	BY	INDIRECT GAS FIRED - TWO HEATER SYSTEM	
BY	-	BERNER INTERNATIONAL CORP. NEW CASTLE, PA.		

IDC14

INDIRECT GAS HEATED

MODEL	NOZZLE WIDTH "A"	MOUNTING WIDTH "B"	UNIT WIDTH "C"	TOTAL NO. HEATER(S) @ MBTU INPUT	WIDTH "D"	WIDTH "E"	WIDTH "F"	DEPTH "G"	DEPTH "H"	DEPTH "I"	FLUE "J"	DEPTH "K"	WIDTH "L"
IDC14-1036G	36.00 [91.44]	37.50 [95.25]	39.00 [99.06]	1 @ 100	9.22 [23.42]	19.06 [48.42]	11.19 [28.41]	11.50 [29.21]	39.19 [99.54]	78.19 [198.60]	4.00 [10.16]	3.25 [8.26]	-
IDC14-1042G	42.00 [106.68]	43.50 [110.49]	45.00 [114.30]	1 @ 100	12.22 [31.04]	19.06 [48.42]	11.19 [28.41]	11.50 [29.21]	39.19 [99.54]	78.19 [198.60]	4.00 [10.16]	3.25 [8.26]	-
IDC14-1048G	48.00 [121.92]	49.50 [125.73]	51.00 [129.54]	1 @ 100	15.22 [38.66]	19.06 [48.42]	11.19 [28.41]	11.50 [29.21]	39.19 [99.54]	78.19 [198.60]	4.00 [10.16]	3.25 [8.26]	-
IDC14-1060G	66.00 [167.64]	67.50 [171.45]	69.00 [175.26]	1 @ 100	24.22 [61.52]	19.06 [48.42]	11.19 [28.41]	11.50 [29.21]	39.19 [99.54]	78.19 [198.60]	4.00 [10.16]	3.25 [8.26]	-
IDC14-2060G	66.00 [167.64]	67.50 [171.45]	69.00 [175.26]	1 @ 195	22.72 [57.71]	22.06 [56.04]	7.97 [20.24]	11.50 [29.21]	40.00 [101.60]	79.00 [200.66]	5.00 [12.70]	3.25 [8.26]	-
IDC14-2072G	72.00 [182.88]	73.50 [186.69]	75.00 [190.50]	1 @ 195	25.72 [65.33]	22.06 [56.04]	7.97 [20.24]	11.50 [29.21]	40.00 [101.60]	79.00 [200.66]	5.00 [12.70]	3.25 [8.26]	-
IDC14-2078G	78.00 [198.12]	79.50 [201.93]	81.00 [205.74]	1 @ 195	28.72 [72.95]	22.06 [56.04]	7.97 [20.24]	11.50 [29.21]	40.00 [101.60]	79.00 [200.66]	5.00 [12.70]	3.25 [8.26]	-
IDC14-2084G	84.00 [213.36]	85.50 [217.17]	87.00 [220.98]	1 @ 195	31.72 [80.57]	22.06 [56.04]	7.97 [20.24]	11.50 [29.21]	40.00 [101.60]	79.00 [200.66]	5.00 [12.70]	3.25 [8.26]	-
IDC14-2096G	99.00 [251.46]	100.50 [255.27]	102.00 [259.08]	1 @ 195	39.22 [99.62]	22.06 [56.04]	7.97 [20.24]	11.50 [29.21]	40.00 [101.60]	79.00 [200.66]	5.00 [12.70]	3.25 [8.26]	-
IDC14-3096G	99.00 [251.46]	100.50 [255.27]	102.00 [259.08]	1 @ 300	30.25 [76.84]	40.00 [101.60]	17.19 [43.66]	3.69 [9.37]	40.00 [101.60]	79.00 [200.66]	5.00 [12.70]	3.50 [8.89]	-
IDC14-2108G	108.00 [274.32]	109.50 [278.13]	111.00 [281.94]	1 @ 195	43.72 [111.05]	22.06 [56.04]	7.97 [20.24]	11.50 [29.21]	40.00 [101.60]	79.00 [200.66]	5.00 [12.70]	3.25 [8.26]	-
IDC14-3108G	108.00 [274.32]	109.50 [278.13]	111.00 [281.94]	1 @ 300	34.75 [88.27]	40.00 [101.60]	17.19 [43.66]	3.69 [9.37]	40.00 [101.60]	79.00 [200.66]	5.00 [12.70]	3.50 [8.89]	-
IDC14-2120G	117.00 [297.18]	118.50 [300.99]	120.00 [304.80]	1 @ 195	48.22 [122.48]	22.06 [56.04]	7.97 [20.24]	11.50 [29.21]	40.00 [101.60]	79.00 [200.66]	5.00 [12.70]	3.25 [8.26]	-
IDC14-3120G	117.00 [297.18]	118.50 [300.99]	120.00 [304.80]	1 @ 300	39.22 [99.62]	40.00 [101.60]	17.19 [43.66]	3.69 [9.37]	40.00 [101.60]	79.00 [200.66]	5.00 [12.70]	3.50 [8.89]	-
IDC14-3132G	132.00 [335.28]	133.50 [339.09]	135.00 [342.90]	1 @ 345	46.75 [118.75]	40.00 [101.60]	16.94 [43.02]	3.69 [9.37]	41.13 [104.46]	80.13 [203.52]	6.00 [15.24]	3.50 [8.89]	-
IDC14-3144G	144.00 [365.76]	145.50 [369.57]	147.00 [373.38]	1 @ 345	52.75 [133.99]	40.00 [101.60]	16.94 [43.02]	3.69 [9.37]	41.13 [104.46]	80.13 [203.52]	6.00 [15.24]	3.50 [8.89]	-
IDC14-4144G	144.00 [365.76]	145.50 [369.57]	147.00 [373.38]	1 @ 390	52.75 [133.99]	40.00 [101.60]	16.94 [43.02]	3.69 [9.37]	41.13 [104.46]	80.13 [203.52]	6.00 [15.24]	3.50 [8.89]	-
IDC14-4156G	156.00 [396.24]	157.50 [400.05]	159.00 [403.86]	2 @ 195	56.63 [143.83]	22.13 [56.20]	13.25 [33.66]	10.50 [26.67]	40.00 [101.60]	78.19 [198.60]	5.00 [12.70]	3.25 [8.26]	28.31 [71.91]
IDC14-4168G	168.00 [426.72]	169.50 [430.53]	171.00 [434.34]	2 @ 195	62.63 [159.07]	22.13 [56.20]	13.25 [33.66]	10.50 [26.67]	40.00 [101.60]	78.19 [198.60]	5.00 [12.70]	3.25 [8.26]	31.31 [79.53]
IDC14-4180G	180.00 [457.20]	181.50 [461.01]	183.00 [464.82]	2 @ 195	68.63 [174.31]	22.13 [56.20]	13.25 [33.66]	10.50 [26.67]	40.00 [101.60]	78.19 [198.60]	5.00 [12.70]	3.25 [8.26]	34.31 [87.15]
IDC14-5180G	180.00 [457.20]	181.50 [461.01]	183.00 [464.82]	2 @ 250	50.63 [128.59]	40.13 [101.92]	17.50 [44.45]	3.69 [9.37]	40.00 [101.60]	79.00 [200.66]	5.00 [12.70]	3.50 [8.89]	25.31 [64.29]
IDC14-4192G	192.00 [487.68]	193.50 [491.49]	195.00 [495.30]	2 @ 195	74.63 [189.55]	22.13 [56.20]	13.25 [33.66]	10.50 [26.67]	40.00 [101.60]	78.19 [198.60]	5.00 [12.70]	3.25 [8.26]	37.31 [94.77]
IDC14-5192G	192.00 [487.68]	193.50 [491.49]	195.00 [495.30]	2 @ 250	56.63 [143.83]	40.13 [101.92]	17.50 [44.45]	3.69 [9.37]	40.00 [101.60]	79.00 [200.66]	5.00 [12.70]	3.50 [8.89]	28.31 [71.91]

NOTES:

- 1 AIR CURTAIN MUST BE INSTALLED SO AIR STREAM IS NOT OBSTRUCTED WHEN DEFLECTED 20° TO EITHER SIDE OF \bar{C} .
- 2 ELECTRICAL CONNECTIONS TO BE FLEXIBLE.
- 3 FIELD VERIFY DIMENSIONS.
- 4 ANCHORS TO SUPPORTING STRUCTURE BY OTHERS.
- 5 ADEQUACY OF SUPPORTING STRUCTURE IS TO BE VERIFIED BY A PROFESSIONAL STRUCTURAL ENGINEER.
- 6 LETTER "G" IN MODEL NUMBER DESIGNATES POSITIVE INDIRECT GAS HEATER UNIT.
- 7 STANDARD CONTROL PANEL LEFT HAND MOUNT, OPTIONAL RIGHT HAND MOUNT, OR REMOTE. PLEASE SPECIFY.
- 8 SEP 230-400 FURNACES HAVE TWO FANS AND FOUR MOUNTING POINTS.
- 9 SUPPLY PRESSURES HIGHER THAN 0.50 POUND REQUIRE INSTALLATION OF AN ADDITIONAL SERVICE REGULATOR EXTERNAL TO THE UNIT.
- 10 DIMENSIONS IN INCHES [CENTIMETERS].

PROJECT	
LOCATION	
ARCHITECT	
ENGINEER	
DWG. NO.	IDC14-IGF3
DATE	29MAY14
BY	S. Beil
REPLACES	-
BY	-
TITLE:	BERNER MODEL IDC14 AIR CURTAIN INDIRECT GAS FIRED HEATER SYSTEM
	BERNER INTERNATIONAL CORP. NEW CASTLE, PA.