



INDUSTRIAL DIRECT DRIVE 12

Positive Indirect Gas Heated Air Curtain

Data Sheet

For Door Heights To 12' (environmental separation)

STANDARD CONSTRUCTION

- ½ hp single speed motor(s) - direct drive (Optional: three-speed)
- Gray powder coated exterior with mill aluminum screen and access panels (Optional: Custom Color or Stainless)
- Top Mounting only
- Front air intake (Optional: top)
- High efficiency Pro-V Nozzle

- Factory mounted duct transition with bottom access panels
- Field installed cETLus & AHRI Certified indirect gas heater(s):
 - Aluminized steel heat exchanger (Optional: Stainless)
 - Steel cabinet with beige finish
 - Spark ignited pilot
 - Power venter
 - Separate 120V power supply required (Optional: transformer for single point connection)

2 Year Limited Warranty



MODEL	Nozzle Width (in)	Max Vel. at Nozzle (fpm)	Avg. Outlet Vel. (fpm)	Air Volume (cfm)	Outlet Vel. Uniformity	Power Rating (kW)	Motor(s) @ hp	Heater(s) @ Input (MBH)	Total Heater Output (MBH)	Air Temp. Rise (°F)	Net Wt. Air Curtain (lbs)	Net Wt. Duct Trans. (lbs)	Net Wt. Heater (lbs)
IDC12-1036G	36.00	5,166	1,728	1,512	87%	0.51	1 @ 1/2	1 @ 100	80.0	49°	100	59	125
IDC12-1042G	42.00	5,550	1,551	1,583	89%	0.52	1 @ 1/2	1 @ 100	80.0	47°	106	66	125
IDC12-1048G	48.00	5,292	1,366	1,594	78%	0.53	1 @ 1/2	1 @ 100	80.0	46°	111	74	125
IDC12-1060G	66.00	5,079	1,019	1,634	74%	0.54	1 @ 1/2	1 @ 100	80.0	45°	122	96	125
IDC12-2060G	66.00	4,781	2,010	2,931	85%	0.99	2 @ 1/2	1 @ 145	116.0	36°	169	96	130
IDC12-2072G	72.00	5,166	1,728	3,024	87%	1.02	2 @ 1/2	1 @ 145	116.0	35°	178	104	130
IDC12-2078G	78.00	5,166	1,633	3,095	87%	1.03	2 @ 1/2	1 @ 145	116.0	35°	184	111	130
IDC12-2084G	84.00	5,550	1,551	3,166	89%	1.04	2 @ 1/2	1 @ 145	116.0	34°	189	119	130
IDC12-2096G	99.00	5,292	1,366	3,188	78%	1.06	2 @ 1/2	1 @ 145	116.0	34°	199	137	130
IDC12-3096G	99.00	4,781	1,846	4,443	85%	1.50	3 @ 1/2	1 @ 195	156.0	32°	240	136	145
IDC12-2108G	108.00	5,079	1,230	3,228	74%	1.07	2 @ 1/2	1 @ 145	116.0	33°	242	148	130
IDC12-3108G	108.00	5,166	1,728	4,536	87%	1.53	3 @ 1/2	1 @ 195	156.0	32°	283	147	145
IDC12-2120G	117.00	5,079	1,149	3,268	74%	1.08	2 @ 1/2	1 @ 145	116.0	33°	249	159	130
IDC12-3120G	117.00	5,166	1,604	4,678	87%	1.55	3 @ 1/2	1 @ 195	156.0	31°	290	158	145
IDC12-3132G	132.00	5,292	1,484	4,760	78%	1.57	3 @ 1/2	1 @ 195	156.0	30°	311	177	145
IDC12-3144G	144.00	5,292	1,366	4,782	78%	1.59	3 @ 1/2	1 @ 195	156.0	30°	325	191	145
IDC12-4144G	144.00	5,166	1,728	6,048	87%	2.04	4 @ 1/2	1 @ 250	200.0	30°	366	183	225
IDC12-4156G	156.00	5,166	1,633	6,190	87%	2.06	4 @ 1/2	2 @ 145	232.0	35°	382	196	2 @ 130
IDC12-4168G	168.00	5,550	1,551	6,332	89%	2.08	4 @ 1/2	2 @ 145	232.0	34°	394	211	2 @ 130
IDC12-4180G	180.00	5,292	1,452	6,354	78%	2.10	4 @ 1/2	2 @ 145	232.0	34°	407	226	2 @ 130
IDC12-5180G	180.00	5,166	1,728	7,560	87%	2.55	5 @ 1/2	2 @ 172.5	276.0	34°	448	223	2 @ 145
IDC12-4192G	192.00	5,292	1,366	6,376	78%	2.12	4 @ 1/2	2 @ 145	232.0	34°	419	241	2 @ 130
IDC12-5192G	192.00	5,292	1,635	7,631	78%	2.56	5 @ 1/2	2 @ 172.5	276.0	33°	436	238	2 @ 145

NOTES:

1. Operation at 50 Hz will generate approximately a 17% reduction in performance.
2. Performance data based on AMCA licensed data from unheated units.
3. Maximum leaving air temperature shall not exceed 120°F.
4. Duct transition is factory mounted to air curtain and requires individual support.
5. Gas heater(s) shall not be directly connected to transition and require individual support.
6. Maximum gas supply pressure: 1/2 psi, 8 ounces, or 14 inches water column.
7. Vertically mounted indirect gas heated air curtain not available.

Berner does not recommend IDC12-1060G, IDC12-2108G and IDC12-2120G, exist only as an equivalent to competitors' models.

See sheet EP-408 for amp draws/total load requirements.

MODEL NUMBER CONFIGURATION

IDC12-1 036 G A-F-SS

Series	# of Motors	Opening Width	Heat	Voltage	Intake	Opt. Cabinet Finish
IDC12	1, 2, 3, 4, 5	036" - 192"	G=Indirect Gas Heated	*A=120/1/60 B=208/1/60 J=240/1/60 V=220/1/50 X=208/3/60 Y=240/3/60 Z=480/3/60 Q=600/3/60 O=380/3/50	F=Front	SS=Stainless Steel CC=Custom Color

*Suitable for 50hz

Sound level measured 10' (3m) from the unit in free field:
1, 2, 3, 4 & 5 motor(s): 63 dBA, 66 dBA, 68 dBA, 69 dBA & 70 dBA

Berner reserves the right to alter specifications without prior notice.



INDUSTRIAL DIRECT DRIVE 12

Positive Indirect Gas Heated Air Curtain
Electrical Performance Sheet

		120/1/60 (voltage code A)											
		120V MOTOR AMP DRAW = 6.5 each											
		MULTIPLE CKT - MOTOR PANEL & HEATER						SINGLE CKT - MOTOR PANEL & XFMR FOR HEATER					
MODEL	HEATER MBH	Temp Rise °F	# CKTS	AMPS PER CIRCUIT		BREAKER RATING PER CIRCUIT		# CKTS	XFMR KVA	AMPS PER CIRCUIT (including XFMR)	BREAKER RATING PER CIRCUIT		
				MOTOR 120V CKT	HEATER 120V CKT	MOTOR 120V CKT	HEATER 120V CKT						
IDC12-1036G IDC12-1042G IDC12-1048G IDC12-1060G	1 @ 100	47	2	6.5	6.0	15	15	N/A	N/A	N/A	N/A		
IDC12-2060G IDC12-2072G IDC12-2078G IDC12-2084G IDC12-2096G IDC12-2108G IDC12-2120G	1 @ 145	34	2	13.0	6.0	20	15	N/A	N/A	N/A	N/A		
IDC12-3096G IDC12-3108G IDC12-3120G IDC12-3132G IDC12-3144G	1 @ 195	31	2	19.5	6.0	30	15	N/A	N/A	N/A	N/A		
IDC12-4144G	1 @ 250	30	2	26.0	9.0	35	15	N/A	N/A	N/A	N/A		
IDC12-4156G IDC12-4168G IDC12-4180G IDC12-4192G	2 @ 145	34	3	26.0	6.0/6.0	35	15/15	N/A	N/A	N/A	N/A		
IDC12-5180G IDC12-5192G	2 @ 175	25	3	32.5	6.0/6.0	45	15/15	N/A	N/A	N/A	N/A		



INDUSTRIAL DIRECT DRIVE 12

**Positive Indirect Gas Heated Air Curtain
Electrical Performance Sheet**

208/1/60 (voltage code B)
208V MOTOR AMP DRAW = 3.5 each

MODEL	HEATER MBH	Temp Rise °F	# CKTS	MULTIPLE CKT - MOTOR PANEL & HEATER				SINGLE CKT - MOTOR PANEL & XFMR FOR HEATER			
				AMPS PER CIRCUIT		BREAKER RATING PER CIRCUIT		# CKTS	XFMR KVA	AMPS PER CIRCUIT (including XFMR)	BREAKER RATING PER CIRCUIT
				MOTOR 208V CKT	HEATER 120V CKT	MOTOR 208V CKT	HEATER 120V CKT				
IDC12-1036G IDC12-1042G IDC12-1048G IDC12-1060G	1 @ 100	47	2	3.5	6.0	15	15	1	1	8.3	15
IDC12-2060G IDC12-2072G IDC12-2078G IDC12-2084G IDC12-2096G IDC12-2108G IDC12-2120G	1 @ 145	34	2	7.0	6.0	15	15	1	1	11.8	15
IDC12-3096G IDC12-3108G IDC12-3120G IDC12-3132G IDC12-3144G	1 @ 195	31	2	10.5	6.0	15	15	1	1	15.3	20
IDC12-4144G	1 @ 250	30	2	14.0	9.0	20	15	1	1	18.8	25
IDC12-4156G IDC12-4168G IDC12-4180G IDC12-4192G	2 @ 145	34	3	14.0	6.0/6.0	20	15/15	1	2	23.6	30
IDC12-5180G IDC12-5192G	2 @ 175	25	3	17.5	6.0/6.0	25	15/15	1	2	27.1	35

		240/1/60 (voltage code J) or 220/1/50 (voltage code V) 240V MOTOR AMP DRAW = 3.5 each									
		MULTIPLE CKT - MOTOR PANEL & HEATER						SINGLE CKT - MOTOR PANEL & XFMR FOR HEATER			
MODEL	HEATER MBH	Temp Rise °F	# CKTS	AMPS PER CIRCUIT		BREAKER RATING PER CIRCUIT		# CKTS	XFMR KVA	AMPS PER CIRCUIT (including XFMR)	BREAKER RATING PER CIRCUIT
				MOTOR 240V CKT	HEATER 120V CKT	MOTOR 240V CKT	HEATER 120V CKT				
IDC12-1036G IDC12-1042G IDC12-1048G IDC12-1060G	1 @ 100	47	2	3.5	6.0	15	15	1	1	7.7	15
IDC12-2060G IDC12-2072G IDC12-2078G IDC12-2084G IDC12-2096G IDC12-2108G IDC12-2120G	1 @ 145	34	2	7.0	6.0	15	15	1	1	11.2	15
IDC12-3096G IDC12-3108G IDC12-3120G IDC12-3132G IDC12-3144G	1 @ 195	31	2	10.5	6.0	15	15	1	1	14.7	20
IDC12-4144G	1 @ 250	30	2	14.0	9.0	20	15	1	1	18.2	25
IDC12-4156G IDC12-4168G IDC12-4180G IDC12-4192G	2 @ 145	34	3	14.0	6.0/6.0	20	15/15	1	2	22.3	30
IDC12-5180G IDC12-5192G	2 @ 175	25	3	17.5	6.0/6.0	25	15/15	1	2	25.8	35



INDUSTRIAL DIRECT DRIVE 12

**Positive Indirect Gas Heated Air Curtain
Electrical Performance Sheet**

208/3/60 (voltage code X) 208V MOTOR AMP DRAW = 3.5 each											
MODEL	HEATER MBH Temp Rise °F		MULTIPLE CKT - MOTOR PANEL & HEATER					SINGLE CKT - MOTOR PANEL & XFMR FOR HEATER			
			# CKTS	AMPS PER CIRCUIT		BREAKER RATING PER CIRCUIT		# CKTS	XFMR KVA	AMPS PER CIRCUIT (including XFMR)	BREAKER RATING PER CIRCUIT
				MOTOR 208V CKT	HEATER 120V CKT	MOTOR 208V CKT	HEATER 120V CKT				
IDC12-1036G IDC12-1042G IDC12-1048G IDC12-1060G	1 @ 100	47	2	3.5	6.0	15	15	1	1	8.3	15
IDC12-2060G IDC12-2072G IDC12-2078G IDC12-2084G IDC12-2096G IDC12-2108G IDC12-2120G	1 @ 145	34	2	7.0	6.0	15	15	1	1	11.8	15
IDC12-3096G IDC12-3108G IDC12-3120G IDC12-3132G IDC12-3144G	1 @ 195	31	2	10.5	6.0	15	15	1	1	15.3	20
IDC12-4144G	1 @ 250	30	2	14.0	9.0	20	15	1	1	18.8	25
IDC12-4156G IDC12-4168G IDC12-4180G IDC12-4192G	2 @ 145	34	3	14.0	6.0/6.0	20	15/15	1	2	23.6	30
IDC12-5180G IDC12-5192G	2 @ 175	25	3	17.5	6.0/6.0	25	15/15	1	2	27.1	35

240/3/60 (voltage code Y)											
240V MOTOR AMP DRAW = 3.5 each											
MODEL	HEATER MBH	Temp Rise °F	# CKTS	MULTIPLE CKT - MOTOR PANEL & HEATER				SINGLE CKT - MOTOR PANEL & XFMR FOR HEATER			
				AMPS PER CIRCUIT		BREAKER RATING PER CIRCUIT		# CKTS	XFMR KVA	AMPS PER CIRCUIT (including XFMR)	BREAKER RATING PER CIRCUIT
				MOTOR 240V CKT	HEATER 120V CKT	MOTOR 240V CKT	HEATER 120V CKT				
IDC12-1036G IDC12-1042G IDC12-1048G IDC12-1060G	1 @ 100	47	2	3.5	6.0	15	15	1	1	7.7	15
IDC12-2060G IDC12-2072G IDC12-2078G IDC12-2084G IDC12-2096G IDC12-2108G IDC12-2120G	1 @ 145	34	2	7.0	6.0	15	15	1	1	11.2	15
IDC12-3096G IDC12-3108G IDC12-3120G IDC12-3132G IDC12-3144G	1 @ 195	31	2	10.5	6.0	15	15	1	1	14.7	20
IDC12-4144G	1 @ 250	30	2	14.0	9.0	20	15	1	1	18.2	25
IDC12-4156G IDC12-4168G IDC12-4180G IDC12-4192G	2 @ 145	34	3	14.0	6.0/6.0	20	15/15	1	2	22.3	30
IDC12-5180G IDC12-5192G	2 @ 175	25	3	17.5	6.0/6.0	25	15/15	1	2	25.8	35



INDUSTRIAL DIRECT DRIVE 12

**Positive Indirect Gas Heated Air Curtain
Electrical Performance Sheet**

480/3/60 (voltage code Z) 480V MOTOR AMP DRAW = 1.4 each											
MODEL	HEATER MBH Temp Rise °F		# CKTS	MULTIPLE CKT - MOTOR PANEL & HEATER				SINGLE CKT - MOTOR PANEL & XFMR FOR HEATER			
				AMPS PER CIRCUIT		BREAKER RATING PER CIRCUIT		# CKTS	XFMR KVA	AMPS PER CIRCUIT (including XFMR)	BREAKER RATING PER CIRCUIT
				MOTOR 480V CKT	HEATER 120V CKT	MOTOR 480V CKT	HEATER 120V CKT				
IDC12-1036G IDC12-1042G IDC12-1048G IDC12-1060G	1 @ 100	47	2	1.4	6.0	15	15	1	1	3.5	15
IDC12-2060G IDC12-2072G IDC12-2078G IDC12-2084G IDC12-2096G IDC12-2108G IDC12-2120G	1 @ 145	34	2	2.8	6.0	15	15	1	1	4.9	15
IDC12-3096G IDC12-3108G IDC12-3120G IDC12-3132G IDC12-3144G	1 @ 195	31	2	4.2	6.0	15	15	1	1	6.3	15
IDC12-4144G	1 @ 250	30	2	5.6	9.0	15	15	1	1	7.7	15
IDC12-4156G IDC12-4168G IDC12-4180G IDC12-4192G	2 @ 145	34	3	5.6	6.0/6.0	15	15/15	1	2	9.8	15
IDC12-5180G IDC12-5192G	2 @ 175	25	3	7.0	6.0/6.0	15	15/15	1	2	11.2	15

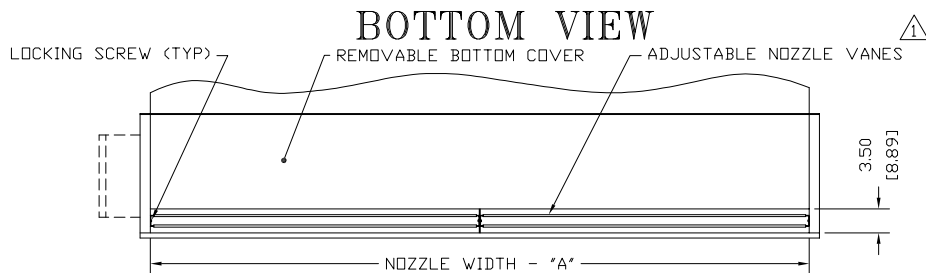
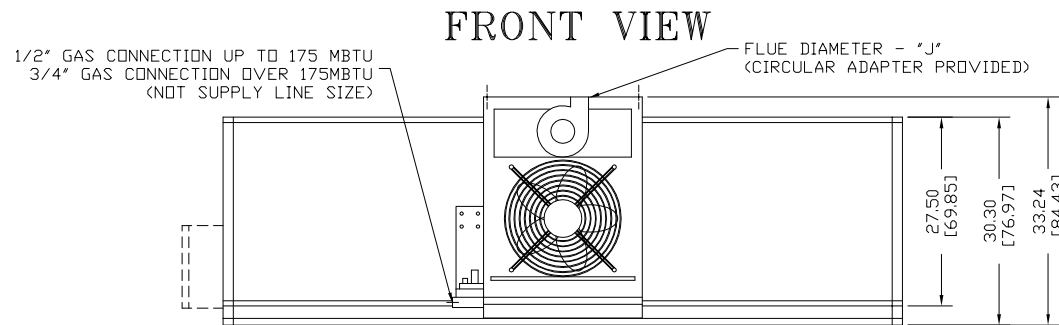
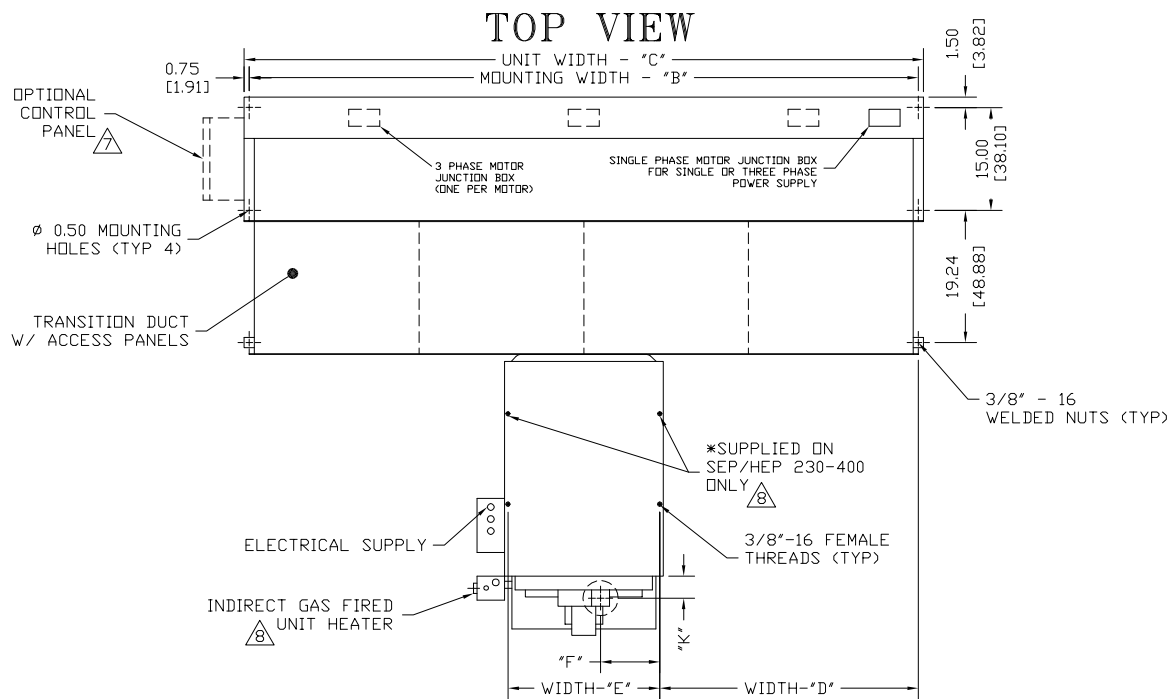
600/3/60 (voltage code Q)											
600V MOTOR AMP DRAW = 1.0 each											
MULTIPLE CKT - MOTOR PANEL & HEATER								SINGLE CKT - MOTOR PANEL & XFMR FOR HEATER			
MODEL	HEATER MBH	Temp Rise °F	# CKTS	AMPS PER CIRCUIT		BREAKER RATING PER CIRCUIT		# CKTS	XFMR KVA	AMPS PER CIRCUIT (including XFMR)	BREAKER RATING PER CIRCUIT
				MOTOR 600V CKT	HEATER 120V CKT	MOTOR 600V CKT	HEATER 120V CKT				
IDC12-1036G IDC12-1042G IDC12-1048G IDC12-1060G	1 @ 100	47	2	1.0	6.0	15	15	1	1	2.7	15
IDC12-2060G IDC12-2072G IDC12-2078G IDC12-2084G IDC12-2096G IDC12-2108G IDC12-2120G	1 @ 145	34	2	2.0	6.0	15	15	1	1	3.7	15
IDC12-3096G IDC12-3108G IDC12-3120G IDC12-3132G IDC12-3144G	1 @ 195	31	2	3.0	6.0	15	15	1	1	4.7	15
IDC12-4144G	1 @ 250	30	2	4.0	9.0	15	15	1	1	5.7	15
IDC12-4156G IDC12-4168G IDC12-4180G IDC12-4192G	2 @ 145	34	3	4.0	6.0/6.0	15	15/15	1	2	7.3	15
IDC12-5180G IDC12-5192G	2 @ 175	25	3	5.0	6.0/6.0	15	15/15	1	2	8.3	15



INDUSTRIAL DIRECT DRIVE 12

**Positive Indirect Gas Heated Air Curtain
Electrical Performance Sheet**

380/3/50 (voltage code O) 380V MOTOR AMP DRAW = 3.5 each											
MODEL	HEATER MBH Temp Rise °F		# CKTS	MULTIPLE CKT - MOTOR PANEL & HEATER				SINGLE CKT - MOTOR PANEL & XFMR FOR HEATER			
				AMPS PER CIRCUIT		BREAKER RATING PER CIRCUIT		# CKTS	XFMR KVA	AMPS PER CIRCUIT (including XFMR)	BREAKER RATING PER CIRCUIT
				MOTOR 380V CKT	HEATER 120V CKT	MOTOR 380V CKT	HEATER 120V CKT				
IDC12-1036G IDC12-1042G IDC12-1048G IDC12-1060G	1 @ 100	47	2	3.5	6.0	15	15	1	1	8.0	15
IDC12-2060G IDC12-2072G IDC12-2078G IDC12-2084G IDC12-2096G IDC12-2108G IDC12-2120G	1 @ 145	34	2	7.0	6.0	15	15	1	1	11.5	15
IDC12-3096G IDC12-3108G IDC12-3120G IDC12-3132G IDC12-3144G	1 @ 195	31	2	10.5	6.0	15	15	1	1	15.0	20
IDC12-4144G	1 @ 250	30	2	14.0	9.0	20	15	1	1	18.5	25
IDC12-4156G IDC12-4168G IDC12-4180G IDC12-4192G	2 @ 145	34	3	14.0	6.0/6.0	20	15/15	1	2	23.1	30
IDC12-5180G IDC12-5192G	2 @ 175	25	3	17.5	6.0/6.0	25	15/15	1	2	26.6	35



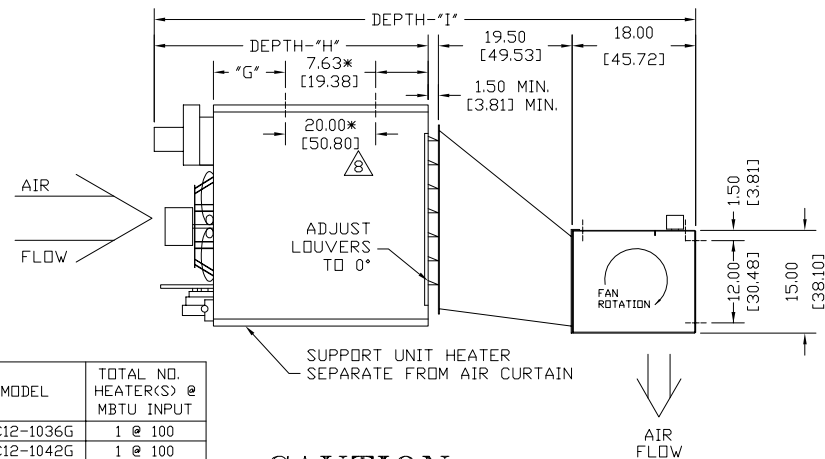
IDC12

INDIRECT GAS HEATED ONE HEATER SYSTEM

NOTES:

- 1 AIR CURTAIN MUST BE INSTALLED SO AIR STREAM IS NOT OBSTRUCTED WHEN DEFLECTED 20° TO EITHER SIDE OF \bar{C} .
- 2 ELECTRICAL CONNECTIONS TO BE FLEXIBLE.
- 3 FIELD VERIFY DIMENSIONS.
- 4 ANCHORS TO SUPPORTING STRUCTURE BY OTHERS.
- 5 ADEQUACY OF SUPPORTING STRUCTURE IS TO BE VERIFIED BY A PROFESSIONAL STRUCTURAL ENGINEER.
- 6 LETTER "G" IN MODEL NUMBER DESIGNATES POSITIVE INDIRECT GAS HEATER UNIT.
- 7 STANDARD CONTROL PANEL LEFT HAND MOUNT, OPTIONAL RIGHT HAND MOUNT, OR REMOTE. PLEASE SPECIFY.
- 8 SEP 230-400 FURNACES HAVE TWO FANS AND FOUR MOUNTING POINTS.
- 9 SUPPLY PRESSURES HIGHER THAN 0.50 POUND REQUIRE INSTALLATION OF AN ADDITIONAL SERVICE REGULATOR EXTERNAL TO THE UNIT.
- 10 DIMENSIONS IN INCHES (CENTIMETERS).

END VIEW



MODEL	TOTAL NO. HEATER(S) @ MBTU INPUT
IDC12-1036G	1 @ 100
IDC12-1042G	1 @ 100
IDC12-1048G	1 @ 100
IDC12-1060G	1 @ 100
IDC12-2060G	1 @ 145
IDC12-2072G	1 @ 145
IDC12-2078G	1 @ 145
IDC12-2084G	1 @ 145
IDC12-2096G	1 @ 145
IDC12-3096G	1 @ 195
IDC12-2108G	1 @ 145
IDC12-3108G	1 @ 195
IDC12-2120G	1 @ 145
IDC12-3120G	1 @ 195
IDC12-3132G	1 @ 195
IDC12-3144G	1 @ 195
IDC12-4144G	1 @ 250

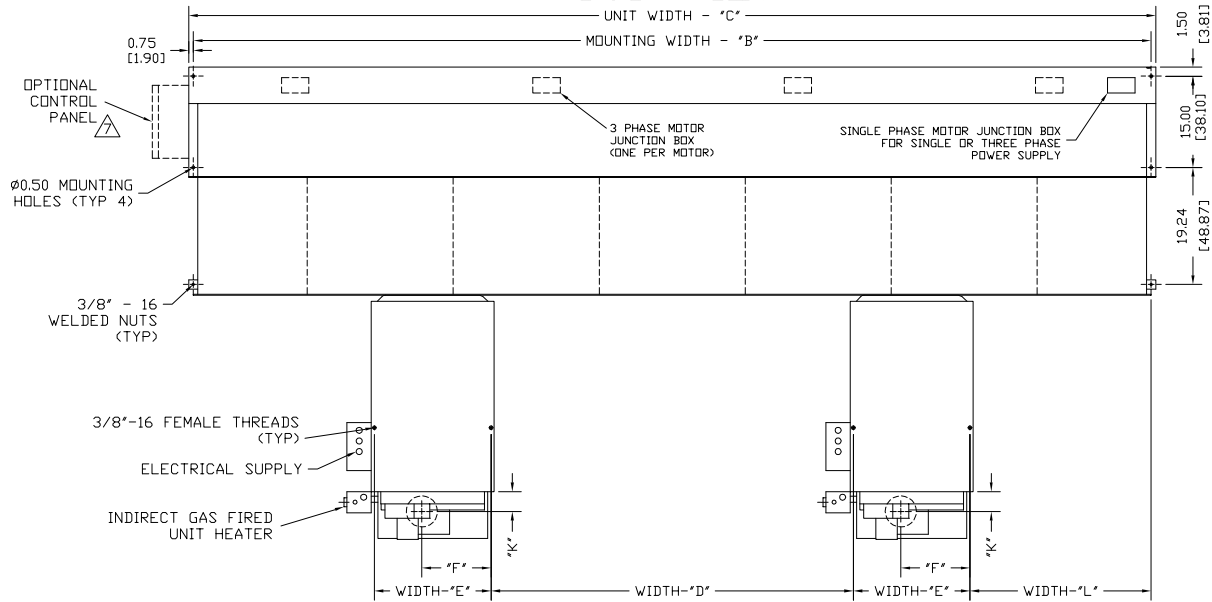
CAUTION:

HEATER IS EQUIPPED FOR A MAXIMUM GAS SUPPLY PRESSURE OF 1/2 POUND, 8 OUNCES, OR 14 INCHES WATER COLUMN.

PROJECT		
LOCATION		
ARCHITECT		
ENGINEER		
DWG. NO.	IDC12-IGF1	TITLE: BERNER
DATE	28MAY14	MODEL IDC12 AIR CURTAIN
BY	S. Beil	INDIRECT GAS FIRED - ONE HEATER SYSTEM
REPLACES	-	
BY	-	BERNER INTERNATIONAL CORP. NEW CASTLE, PA.

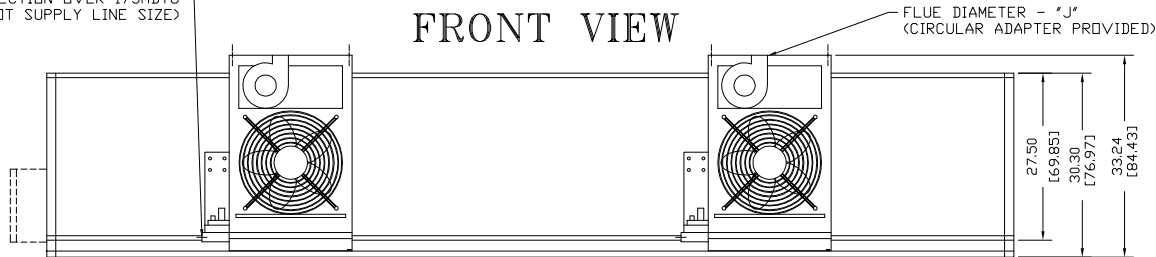
FOR DIMENSIONS SEE DWG. #IDC12-IGF3

TOP VIEW

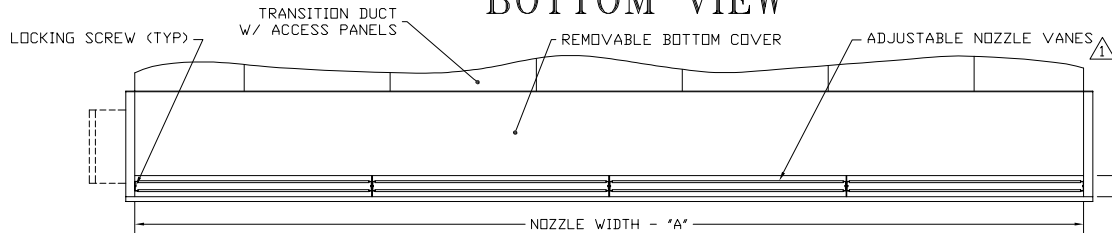


1/2" GAS CONNECTION UP TO 175 MBTU
3/4" GAS CONNECTION OVER 175MBTU (NOT SUPPLY LINE SIZE)

FRONT VIEW



BOTTOM VIEW



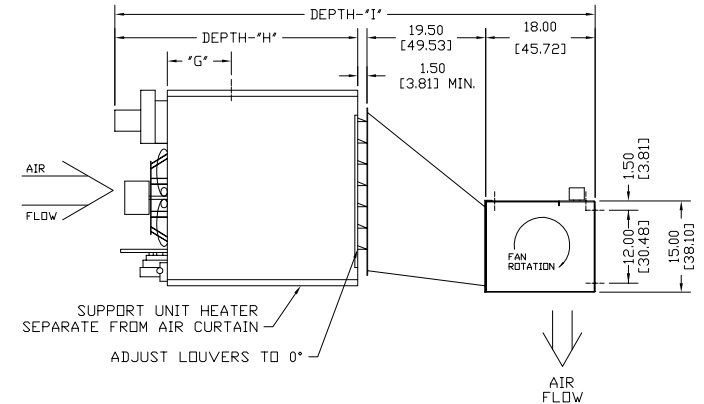
IDC12

INDIRECT GAS HEATED TWO HEATER SYSTEM

NOTES:

- 1 AIR CURTAIN MUST BE INSTALLED SO AIR STREAM IS NOT OBSTRUCTED WHEN DEFLECTED 20° TO EITHER SIDE OF C.
- 2 ELECTRICAL CONNECTIONS TO BE FLEXIBLE.
- 3 FIELD VERIFY DIMENSIONS.
- 4 ANCHORS TO SUPPORTING STRUCTURE BY OTHERS.
- 5 ADEQUACY OF SUPPORTING STRUCTURE IS TO BE VERIFIED BY A PROFESSIONAL STRUCTURAL ENGINEER.
- 6 LETTER "G" IN MODEL NUMBER DESIGNATES, POSITIVE INDIRECT GAS HEATER UNIT.
- 7 STANDARD CONTROL PANEL LEFT HAND MOUNT, OPTIONAL RIGHT HAND MOUNT, OR REMOTE. PLEASE SPECIFY.
- 8 SEP 230-400 FURNACES HAVE TWO FANS AND FOUR MOUNTING POINTS.
- 9 SUPPLY PRESSURES HIGHER THAN 0.50 POUND REQUIRE INSTALLATION OF AN ADDITIONAL SERVICE REGULATOR EXTERNAL TO THE UNIT.
- 10 DIMENSIONS IN INCHES (CENTIMETERS).

END VIEW



CAUTION:

HEATER IS EQUIPPED FOR A MAXIMUM GAS SUPPLY PRESSURE OF 1/2 POUND, 8 OUNCES, OR 14 INCHES WATER COLUMN.

FOR DIMENSIONS SEE DWG. #IDC12-IGF3

MODEL	TOTAL NO. HEATER(S) @ MBTU INPUT
IDC12-4156G	2 @ 145
IDC12-4168G	2 @ 145
IDC12-4180G	2 @ 145
IDC12-5180G	2 @ 172.5
IDC12-4192G	2 @ 145
IDC12-5192G	2 @ 172.5

PROJECT		
LOCATION		
ARCHITECT		
ENGINEER		REV. -
DWG. NO.	IDC12-IGF2	TITLE: BERNER
DATE	28MAY14	MODEL IDC12 AIR CURTAIN
BY	S. Beil	INDIRECT GAS FIRED - TWO HEATER SYSTEM
REPLACES	-	
BY	-	BERNER INTERNATIONAL CORP. NEW CASTLE, PA.

IDC12

INDIRECT GAS HEATED

MODEL	NOZZLE WIDTH "A"	MOUNTING WIDTH "B"	UNIT WIDTH "C"	TOTAL NO. HEATER(S) @ MBTU INPUT	WIDTH "D"	WIDTH "E"	WIDTH "F"	DEPTH "G"	DEPTH "H"	DEPTH "I"	FLUE "J"	DEPTH "K"	WIDTH "L"
IDC12-1036G	36.00 [91.44]	37.50 [95.25]	39.00 [99.06]	1 @ 100	9.22 [23.42]	19.06 [48.42]	11.19 [28.41]	11.50 [29.21]	39.19 [99.54]	78.19 [198.60]	4.00 [10.16]	3.25 [8.26]	-
IDC12-1042G	42.00 [106.68]	43.50 [110.49]	45.00 [114.30]	1 @ 100	12.22 [31.04]	19.06 [48.42]	11.19 [28.41]	11.50 [29.21]	39.19 [99.54]	78.19 [198.60]	4.00 [10.16]	3.25 [8.26]	-
IDC12-1048G	48.00 [121.92]	49.50 [125.73]	51.00 [129.54]	1 @ 100	15.22 [38.66]	19.06 [48.42]	11.19 [28.41]	11.50 [29.21]	39.19 [99.54]	78.19 [198.60]	4.00 [10.16]	3.25 [8.26]	-
IDC12-1060G	66.00 [167.64]	67.50 [171.45]	69.00 [175.26]	1 @ 100	24.22 [61.52]	19.06 [48.42]	11.19 [28.41]	11.50 [29.21]	39.19 [99.54]	78.19 [198.60]	4.00 [10.16]	3.25 [8.26]	-
IDC12-2060G	66.00 [167.64]	67.50 [171.45]	69.00 [175.26]	1 @ 145	24.22 [61.52]	19.06 [48.42]	11.19 [28.41]	11.50 [29.21]	39.19 [99.54]	78.19 [198.60]	4.00 [10.16]	3.25 [8.26]	-
IDC12-2072G	72.00 [182.88]	73.50 [186.69]	75.00 [190.50]	1 @ 145	27.22 [69.14]	19.06 [48.42]	11.19 [28.41]	11.50 [29.21]	39.19 [99.54]	78.19 [198.60]	4.00 [10.16]	3.25 [8.26]	-
IDC12-2078G	78.00 [198.12]	79.50 [201.93]	81.00 [205.74]	1 @ 145	30.22 [76.76]	19.06 [48.42]	11.19 [28.41]	11.50 [29.21]	39.19 [99.54]	78.19 [198.60]	4.00 [10.16]	3.25 [8.26]	-
IDC12-2084G	84.00 [213.36]	85.50 [217.17]	87.00 [220.98]	1 @ 145	33.22 [84.38]	19.06 [48.42]	11.19 [28.41]	11.50 [29.21]	39.19 [99.54]	78.19 [198.60]	4.00 [10.16]	3.25 [8.26]	-
IDC12-2096G	99.00 [251.46]	100.50 [255.27]	102.00 [259.08]	1 @ 145	40.72 [103.43]	19.06 [48.42]	11.19 [28.41]	11.50 [29.21]	39.19 [99.54]	78.19 [198.60]	4.00 [10.16]	3.25 [8.26]	-
IDC12-3096G	99.00 [251.46]	100.50 [255.27]	102.00 [259.08]	1 @ 195	39.22 [99.62]	22.06 [56.04]	7.97 [20.24]	11.50 [29.21]	40.00 [101.60]	79.00 [200.66]	5.00 [12.70]	3.25 [8.26]	-
IDC12-2108G	108.00 [274.32]	109.50 [278.13]	111.00 [281.94]	1 @ 145	45.22 [114.86]	19.06 [48.42]	11.19 [28.41]	11.50 [29.21]	39.19 [99.54]	78.19 [198.60]	4.00 [10.16]	3.25 [8.26]	-
IDC12-3108G	108.00 [274.32]	109.50 [278.13]	111.00 [281.94]	1 @ 195	43.72 [111.05]	22.06 [56.04]	7.97 [20.24]	11.50 [29.21]	40.00 [101.60]	79.00 [200.66]	5.00 [12.70]	3.25 [8.26]	-
IDC12-2120G	117.00 [297.18]	118.50 [300.99]	120.00 [304.80]	1 @ 145	49.72 [126.29]	19.06 [48.42]	11.19 [28.41]	11.50 [29.21]	39.19 [99.54]	78.19 [198.60]	4.00 [10.16]	3.25 [8.26]	-
IDC12-3120G	117.00 [297.18]	118.50 [300.99]	120.00 [304.80]	1 @ 195	48.22 [122.48]	22.06 [56.04]	7.97 [20.24]	11.50 [29.21]	40.00 [101.60]	79.00 [200.66]	5.00 [12.70]	3.25 [8.26]	-
IDC12-3132G	132.00 [335.28]	133.50 [339.09]	135.00 [342.90]	1 @ 195	55.72 [141.53]	22.06 [56.04]	7.97 [20.24]	11.50 [29.21]	40.00 [101.60]	79.00 [200.66]	5.00 [12.70]	3.25 [8.26]	-
IDC12-3144G	144.00 [365.76]	145.50 [369.57]	147.00 [373.38]	1 @ 195	61.72 [156.77]	22.06 [56.04]	7.97 [20.24]	11.50 [29.21]	40.00 [101.60]	79.00 [200.66]	5.00 [12.70]	3.25 [8.26]	-
IDC12-4144G	144.00 [365.76]	145.50 [369.57]	147.00 [373.38]	1 @ 250	52.75 [133.99]	40.00 [101.60]	17.19 [43.66]	3.69 [9.37]	40.00 [101.60]	79.00 [200.66]	5.00 [12.70]	3.50 [8.89]	-
IDC12-4156G	156.00 [396.24]	157.50 [400.05]	159.00 [403.86]	2 @ 145	59.56 [151.29]	19.19 [48.74]	11.88 [30.16]	10.50 [26.67]	39.19 [99.54]	78.19 [198.60]	4.00 [10.16]	3.25 [8.26]	29.78 [75.64]
IDC12-4168G	168.00 [426.72]	169.50 [430.53]	171.00 [434.34]	2 @ 145	65.56 [166.53]	19.19 [48.74]	11.88 [30.16]	10.50 [26.67]	39.19 [99.54]	78.19 [198.60]	4.00 [10.16]	3.25 [8.26]	32.78 [83.26]
IDC12-4180G	180.00 [457.20]	181.50 [461.01]	183.00 [464.82]	2 @ 145	71.56 [181.77]	19.19 [48.74]	11.88 [30.16]	10.50 [26.67]	39.19 [99.54]	78.19 [198.60]	4.00 [10.16]	3.25 [8.26]	35.78 [90.88]
IDC12-5180G	180.00 [457.20]	181.50 [461.01]	183.00 [464.82]	2 @ 172.5	68.63 [174.31]	22.13 [56.20]	13.25 [33.66]	10.50 [26.67]	40.00 [101.60]	79.00 [200.66]	5.00 [12.70]	3.25 [8.26]	34.31 [87.15]
IDC12-4192G	192.00 [487.68]	193.50 [491.49]	195.00 [495.30]	2 @ 145	77.56 [197.01]	19.19 [48.74]	11.88 [30.16]	10.50 [26.67]	39.19 [99.54]	78.19 [198.60]	4.00 [10.16]	3.25 [8.26]	38.78 [98.50]
IDC12-5192G	192.00 [487.68]	193.50 [491.49]	195.00 [495.30]	2 @ 172.5	74.63 [189.55]	22.13 [56.20]	13.25 [33.66]	10.50 [26.67]	40.00 [101.60]	79.00 [200.66]	5.00 [12.70]	3.25 [8.26]	37.31 [94.77]

NOTES:

- ① AIR CURTAIN MUST BE INSTALLED SO AIR STREAM IS NOT OBSTRUCTED WHEN DEFLECTED 20° TO EITHER SIDE OF G.
- ② ELECTRICAL CONNECTIONS TO BE FLEXIBLE.
- ③ FIELD VERIFY DIMENSIONS.
- ④ ANCHORS TO SUPPORTING STRUCTURE BY OTHERS.
- ⑤ ADEQUACY OF SUPPORTING STRUCTURE IS TO BE VERIFIED BY A PROFESSIONAL STRUCTURAL ENGINEER.
- ⑥ LETTER "G" IN MODEL NUMBER DESIGNATES POSITIVE INDIRECT GAS HEATER UNIT.
- ⑦ STANDARD CONTROL PANEL LEFT HAND MOUNT, OPTIONAL RIGHT HAND MOUNT, OR REMOTE. PLEASE SPECIFY.
- ⑧ SEP 230-400 FURNACES HAVE TWO FANS AND FOUR MOUNTING POINTS.
- ⑨ SUPPLY PRESSURES HIGHER THAN 0.50 POUND REQUIRE INSTALLATION OF AN ADDITIONAL SERVICE REGULATOR EXTERNAL TO THE UNIT.
- ⑩ DIMENSIONS IN INCHES [CENTIMETERS].

PROJECT	
LOCATION	
ARCHITECT	
ENGINEER	
DWG. NO.	IDC12-IGF3
DATE	28MAY14
BY	S. Beil
REPLACES	-
BY	-
TITLE:	BERNER MODEL IDC12 AIR CURTAIN INDIRECT GAS FIRED HEATER SYSTEM
	BERNER INTERNATIONAL CORP. NEW CASTLE, PA.