



# INDUSTRIAL BELT DRIVE 20

## Steam Heated Air Curtain

### Data Sheet

For Mounting Heights To 20' (environmental separation)

#### STANDARD CONSTRUCTION

- Single speed T.E.F.C. motor - belt drive
  - Gray powder coated exterior (Optional: Custom Color or Stainless)
  - Split cabinet construction for fan assembly removal
  - Removable access panels
  - Top Mounting only
  - Front air intake (Optional: top)
  - Motor location top right (Optional: top left, front left or front right)
- Coil Features:
    - Galvanized steel casing
    - 5/8" copper tube with .035" wall
    - Aluminum fins
    - Leak tested at 450 psi

**2 Year  
Limited  
Warranty**



MODEL	Nozzle Width (in)	Max Vel. at Nozzle (fpm)	Avg. Outlet Vel. (fpm)	Air Volume (cfm)	Outlet Vel. Uniformity	Power Rating (kW)	Motor @ HP	Coil Output (MBH)	Inlet Pressure (PSIG)	Condensate (lbs/hr)	Air Temp. Rise (°F)	Net Wt. (lbs)
IBC20-1060S	60.00	6,580	3,870	6,854	89%	4.70	1 @ 5	316.4	5	326.1	39°	519
IBC20-1072S	72.00	6,549	3,852	8,186	89%	4.90	1 @ 5	364.7	5	375.9	41°	579
IBC20-1084S	84.00	6,076	3,574	8,861	87%	4.90	1 @ 5	409.8	5	422.4	42°	639
IBC20-1096S	96.00	6,900	4,059	11,500	92%	6.80	1 @ 7½	498.9	5	514.3	40°	774
IBC20-1108S	108.00	6,747	3,969	12,650	90%	6.90	1 @ 7½	555.1	5	572.2	40°	870
IBC20-1120S	117.00	7,494	4,523	15,612	88%	8.70	1 @ 10	640.6	5	660.2	38°	951
IBC20-1132S	132.00	7,017	4,127	16,080	87%	8.90	1 @ 10	691.7	5	712.9	39°	1,017
IBC20-1144S	144.00	7,640	4,381	19,100	87%	11.70	1 @ 15	786.2	5	810.3	38°	1,072
IBC20-1156S	156.00	7,405	4,356	20,055	86%	11.90	1 @ 15	839.0	5	864.8	38°	1,192
IBC20-1168S	168.00	7,783	4,323	22,700	90%	12.80	1 @ 15	925.3	5	953.7	37°	1,292
IBC20-1180S	180.00	7,300	4,294	22,814	91%	12.90	1 @ 15	961.5	5	991.0	39°	1,355
IBC20-1192S	192.00	6,900	4,059	23,000	92%	13.60	1 @ 15	997.9	5	1,028.5	40°	1,490

#### NOTES:

1. Operation at 50 Hz will generate approximately a 17% reduction in performance.
2. Performance data based on AMCA licensed data from unheated IDC20 units.
3. Coil performance based on 65°F entering air temperature.
4. Standard connection same end supply/return (Optional: opposite end supply/return).
5. Coil should be field supplied with a solenoid valve that energizes only when air curtain is energized. Consideration must be taken for freeze protection when necessary.
6. Maximum leaving air temperature shall not exceed 120°F.
7. Consult factory for alternate steam pressures or opposite end supply/return connections performance data.
8. Vertically mounted Industrial Belt Drive air curtains not available.

See sheet EP-454 for amp draws/total load requirements.

### MODEL NUMBER CONFIGURATION

**IBC20-1 060 S D-F T-SS**

Series	# of Motors	Opening Width	Heat	Voltage	Intake	Motor Location	Opt. Cabinet Finish
IBC20	1	060" - 192"	S=Steam Heated	D=208/3/60 E=240/3/60 H=480/3/60 I=600/3/60 T=380/3/50	T=Top F=Front	T=Top F=Front	SS=Stainless Steel CC=Custom Color

Sound level measured 10' (3m) from the unit in free field:  
5, 7½, 10 & 15 hp motor(s):  
73 dBA, 75 dBA, 76 dBA & 78 dBA

Berner reserves the right to alter specifications without prior notice.



# INDUSTRIAL BELT DRIVE 20

## Steam Heated Air Curtain

### Electrical Performance Sheet

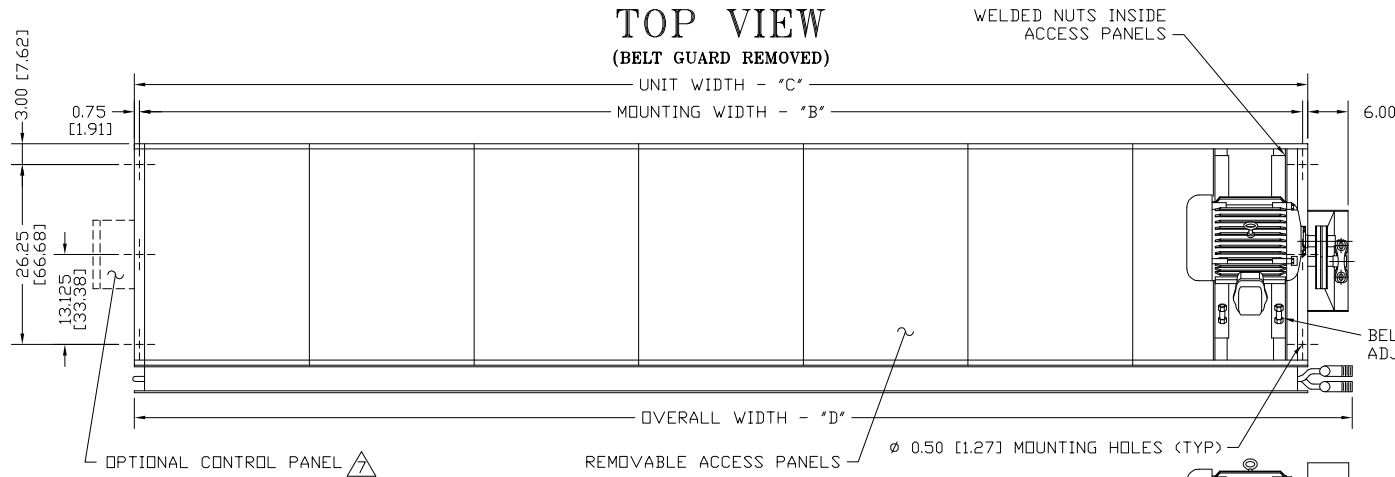
		208/3/60 (voltage code D) TOTAL MOTOR AMP DRAW			240/3/60 (voltage code E) TOTAL MOTOR AMP DRAW			480/3/60 (voltage code H) TOTAL MOTOR AMP DRAW		
MODEL	Qty @ HP	# CKTS	AMPS PER CIRCUIT	BREAKER RATING PER CIRCUIT	# CKTS	AMPS PER CIRCUIT	BREAKER RATING PER CIRCUIT	# CKTS	AMPS PER CIRCUIT	BREAKER RATING PER CIRCUIT
IBC20-1060S IBC20-1072S IBC20-1084S	1 @ 5	1	13.6	30	1	12.3	30	1	6.2	15
IBC20-1096S IBC20-1108S	1 @ 7.5	1	20.0	50	1	18.2	45	1	9.1	25
IBC20-1120S IBC20-1132S	1 @ 10	1	26.5	60	1	23.9	60	1	12.0	30
IBC20-1144S IBC20-1156S IBC20-1168S IBC20-1180S IBC20-1192S	1 @ 15	1	40.0	100	1	37.0	100	1	18.4	45

		600/3/60 (voltage code I) TOTAL MOTOR AMP DRAW			380/3/50 (voltage code T) TOTAL MOTOR AMP DRAW		
MODEL	Qty @ HP	# CKTS	AMPS PER CIRCUIT	BREAKER RATING PER CIRCUIT	# CKTS	AMPS PER CIRCUIT	BREAKER RATING PER CIRCUIT
IBC20-1060S IBC20-1072S IBC20-1084S	1 @ 5	1	5.1	15	1	6.2	15
IBC20-1096S IBC20-1108S	1 @ 7.5	1	7.2	15	1	9.1	25
IBC20-1120S IBC20-1132S	1 @ 10	1	9.6	20	1	12.0	30
IBC20-1144S IBC20-1156S IBC20-1168S IBC20-1180S IBC20-1192S	1 @ 15	1	14.6	30	1	18.4	45

*Berner reserves the right to alter specifications without prior notice.*

**www.berner.com Berner International 800.245-4455**  
111 Progress Ave. / New Castle / PA / 16101 / USA

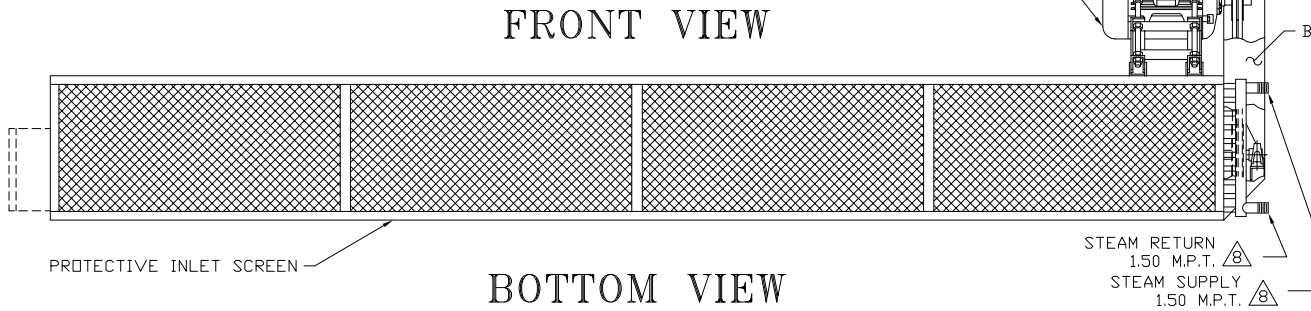
EP-454  
December, 2018



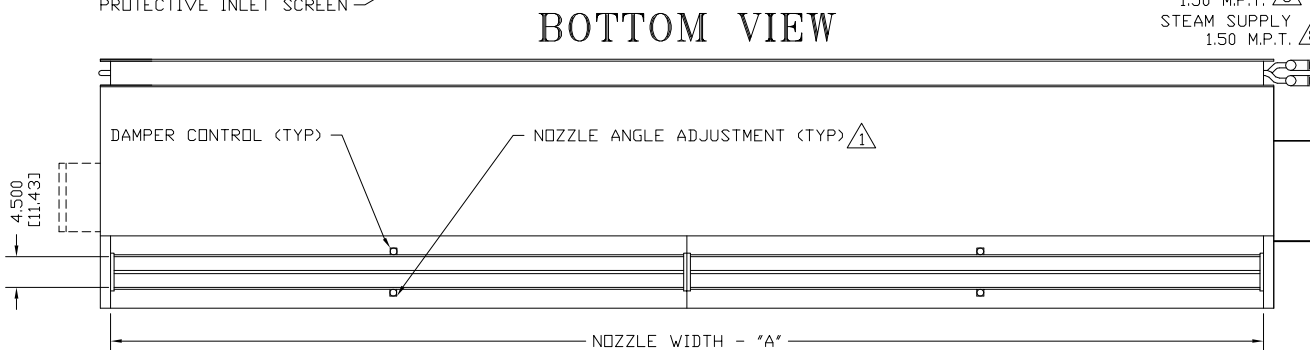
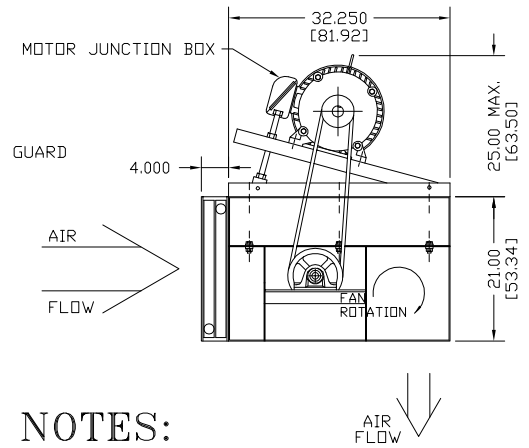
# IBC20

## STEAM HEATED FRONT INTAKE

### SAME END SUP./RET.



### END VIEW (BELT GUARD REMOVED)

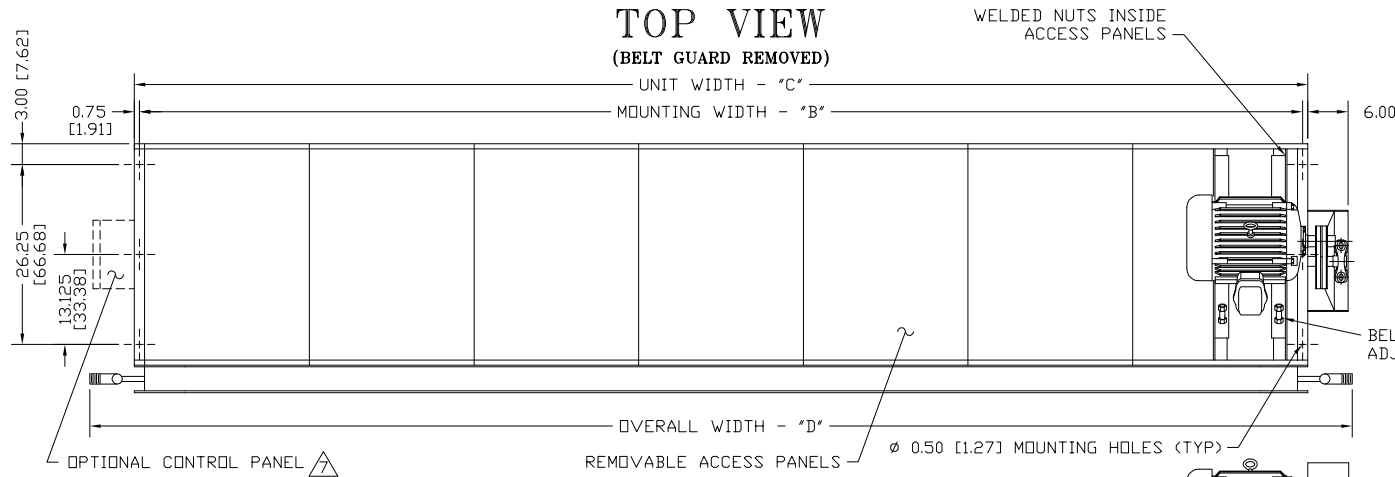


### NOTES:

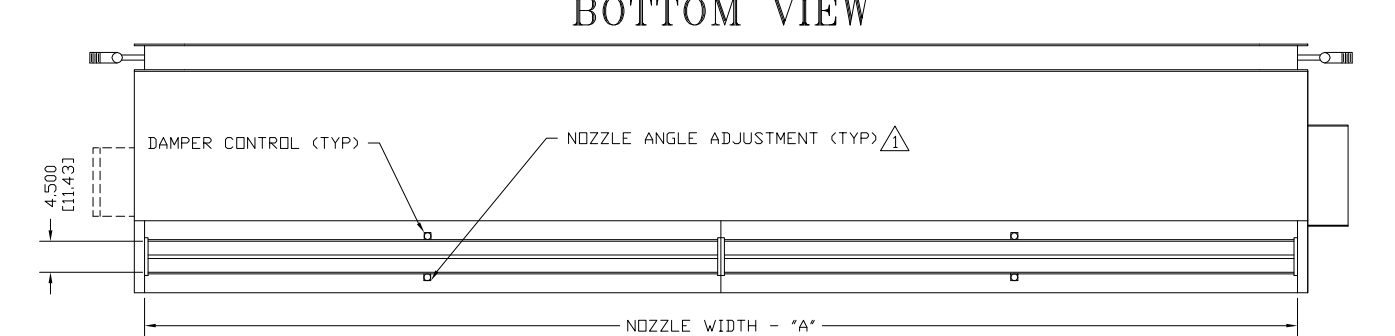
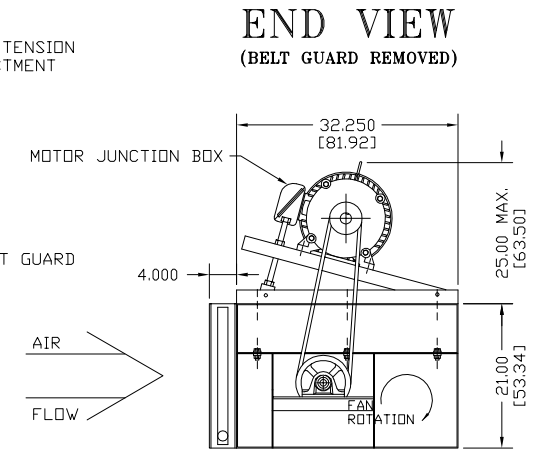
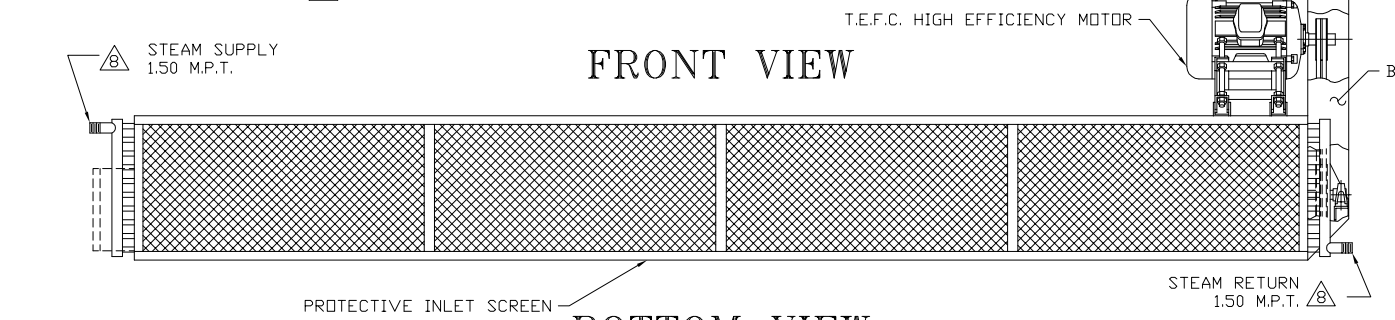
- 1 AIR CURTAIN MUST BE INSTALLED SO AIR STREAM IS NOT OBSTRUCTED WHEN DEFLECTED 20° TO EITHER SIDE OF C.
- 2 ELECTRICAL CONNECTIONS TO BE FLEXIBLE.
- 3 FIELD VERIFY DIMENSIONS.
- 4 ANCHORS TO SUPPORTING STRUCTURE BY OTHERS.
- 5 ADEQUACY OF SUPPORTING STRUCTURE IS TO BE VERIFIED BY A PROFESSIONAL STRUCTURAL ENGINEER.
- 6 LETTER "S" IN MODEL NUMBER DESIGNATES, STEAM UNIT. "F" DESIGNATES FRONT INTAKE, "T" IS TOP MOTOR.
- 7 OPTIONAL CONTROL PANEL AVAILABLE: LEFT HAND MOUNT, RIGHT HAND MOUNT, OR REMOTE. PLEASE SPECIFY.
- 8 COIL CONNECTIONS AS SHOWN, OPPOSITE AND SAME END CONNECTIONS AVAILABLE. PLEASE SPECIFY.
- 9 DIMENSIONS IN INCHES (CENTIMETERS).

MODEL	NOZZLE WIDTH "A"	MOUNTING WIDTH "B"	UNIT WIDTH "C"	OVERALL WIDTH "D"
IBC20-1060S-FT	60.00 [152.40]	61.50 [156.21]	63.00 [160.02]	69.50 [176.53]
IBC20-1072S-FT	72.00 [182.88]	73.50 [186.69]	75.00 [190.50]	81.50 [207.01]
IBC20-1084S-FT	84.00 [213.36]	85.50 [217.17]	87.00 [220.98]	93.50 [237.49]
IBC20-1096S-FT	96.00 [243.84]	97.50 [247.65]	99.00 [251.46]	105.50 [267.97]
IBC20-1108S-FT	108.00 [274.32]	109.50 [278.13]	111.00 [281.94]	117.50 [298.45]
IBC20-1120S-FT	117.00 [297.18]	118.50 [300.99]	120.00 [304.80]	126.50 [321.31]
IBC20-1132S-FT	132.00 [335.28]	133.50 [339.09]	135.00 [342.90]	141.50 [359.41]
IBC20-1144S-FT	144.00 [365.76]	145.50 [369.57]	147.00 [373.38]	153.50 [389.89]
IBC20-1156S-FT	156.00 [396.24]	157.50 [400.05]	159.00 [403.86]	165.50 [420.37]
IBC20-1168S-FT	168.00 [426.72]	169.50 [430.53]	171.00 [434.34]	177.50 [450.85]
IBC20-1180S-FT	180.00 [457.20]	181.50 [461.01]	183.00 [464.82]	189.50 [481.33]
IBC20-1192S-FT	192.00 [487.68]	193.50 [491.49]	195.00 [495.30]	201.50 [511.81]

PROJECT	
LOCATION	
ARCHITECT	
ENGINEER	
DWG. NO.	IBC20-STM1
DATE	11JUNE14
BY	S. Beil
REPLACES	-
BY	-
TITLE:	<b>BERNER</b> MODEL IBC20 AIR CURTAIN FRONT INTAKE - STEAM HEATED SYSTEM
	BERNER INTERNATIONAL CORP. NEW CASTLE, PA.



# IBC20 STEAM HEATED FRONT INTAKE OPP. END SUP./RET.



## NOTES:

- 1 AIR CURTAIN MUST BE INSTALLED SO AIR STREAM IS NOT OBSTRUCTED WHEN DEFLECTED 20° TO EITHER SIDE OF  $\mathcal{C}$ .
- 2 ELECTRICAL CONNECTIONS TO BE FLEXIBLE.
- 3 FIELD VERIFY DIMENSIONS.
- 4 ANCHORS TO SUPPORTING STRUCTURE BY OTHERS.
- 5 ADEQUACY OF SUPPORTING STRUCTURE IS TO BE VERIFIED BY A PROFESSIONAL STRUCTURAL ENGINEER.
- 6 LETTER "S" IN MODEL NUMBER DESIGNATES, STEAM UNIT. "F" DESIGNATES FRONT INTAKE, "T" IS TOP MOTOR.
- 7 OPTIONAL CONTROL PANEL AVAILABLE: LEFT HAND MOUNT, RIGHT HAND MOUNT, OR REMOTE. PLEASE SPECIFY.
- 8 COIL CONNECTIONS AS SHOWN, OPPOSITE AND SAME END CONNECTIONS AVAILABLE, PLEASE SPECIFY.
- 9 DIMENSIONS IN INCHES [CENTIMETERS].

MODEL <sup>6</sup>	NOZZLE WIDTH "A"	MOUNTING WIDTH "B"	UNIT WIDTH "C"	OVERALL WIDTH "D"
IBC20-1060S-FT	60.00 [152.40]	61.50 [156.21]	63.00 [160.02]	76.00 [193.04]
IBC20-1072S-FT	72.00 [182.88]	73.50 [186.69]	75.00 [190.50]	88.00 [223.52]
IBC20-1084S-FT	84.00 [213.36]	85.50 [217.17]	87.00 [220.98]	100.00 [254.00]
IBC20-1096S-FT	96.00 [243.84]	97.50 [247.65]	99.00 [251.46]	112.00 [284.48]
IBC20-1108S-FT	108.00 [274.32]	109.50 [278.13]	111.00 [281.94]	124.00 [314.96]
IBC20-1120S-FT	117.00 [297.18]	118.50 [300.99]	120.00 [304.80]	133.00 [337.82]
IBC20-1132S-FT	132.00 [335.28]	133.50 [339.09]	135.00 [342.90]	148.00 [375.92]
IBC20-1144S-FT	144.00 [365.76]	145.50 [369.57]	147.00 [373.38]	160.00 [406.40]
IBC20-1156S-FT	156.00 [396.24]	157.50 [400.05]	159.00 [403.86]	172.00 [436.88]
IBC20-1168S-FT	168.00 [426.72]	169.50 [430.53]	171.00 [434.34]	184.00 [467.36]
IBC20-1180S-FT	180.00 [457.20]	181.50 [461.01]	183.00 [464.82]	196.00 [497.84]
IBC20-1192S-FT	192.00 [487.68]	193.50 [491.49]	195.00 [495.30]	208.00 [528.32]

PROJECT		TITLE: <b>BERNER</b>
LOCATION		MODEL IBC20 AIR CURTAIN
ARCHITECT		FRONT INTAKE - STEAM HEATED SYSTEM
ENGINEER		
DWG. NO.	IBC20-STM2	
DATE	11JUNE14	
BY	S. Beil	
REPLACES	-	
BY	-	BERNER INTERNATIONAL CORP. NEW CASTLE, PA.