

For Mounting Heights To 10' (environmental separation)

STANDARD CONSTRUCTION

- 14" high x 15" deep
- 1/2 hp three speed motor(s)
- Factory installed fan speed/heat switch
- White or black aluminum exterior cover (Optional: Custom Color or Stainless)
- Wall & Top Mounting
- Optional: Filter (washable)
- Patented venturi open helical element with point suspension
 - Thermal overload protection
 - Galvanized steel frame
- Alternate kW: see sheet EP-112



Berner International Corporation certifies that the air curtains shown herein are licensed to bear the AMCA Seal. The ratings shown are based on tests and procedures performed in accordance with AMCA Publication 211 and comply with the requirements of the AMCA Certified Ratings Program. Rated data shown is for base (electric heated) units. The AMCA Certified Ratings Seal applies to airflow rate, average outlet velocity, outlet velocity uniformity, velocity projection and power rating at free delivery only.

Models CHD10-1060E, CHD10-2108E and CHD10-2120E are not licensed to bear the AMCA seal.

2 Year Limited Warranty



| MODEL | Nozzle Width (in) | Max Vel. at Nozzle (fpm) | Avg. Outlet Vel. (fpm) | Air Volume (cfm) | Outlet Vel. Uniformity | Power Rating (kW) | Motor(s) @ hp | Max Electric Capacity (kW) | Heater Output (MBH) | Air Temp. Rise (°F) | Net Wt. (lbs) |
|-------------|-------------------|--------------------------|------------------------|------------------|------------------------|-------------------|---------------|----------------------------|---------------------|---------------------|---------------|
| CHD10-1036E | 36.00 | 3,284 | 1,928 | 1,687 | 70% | 0.73 | 1 @ 1/2 | 14.0 | 47.8 | 26° | 52 |
| CHD10-1042E | 42.00 | 3,592 | 1,727 | 1,763 | 50% | 0.77 | 1 @ 1/2 | 14.0 | 47.8 | 25° | 55 |
| CHD10-1048E | 48.00 | 3,614 | 1,473 | 1,718 | 38% | 0.69 | 1 @ 1/2 | 14.0 | 47.8 | 26° | 56 |
| CHD10-1060E | 60.00 | 3,319 | 1,119 | 1,632 | 45% | 0.66 | 1 @ 1/2 | 14.0 | 47.8 | 27° | 63 |
| CHD10-2060E | 60.00 | 3,711 | 1,788 | 2,607 | 59% | 1.22 | 2 @ 1/2 | 21.0 | 71.7 | 25° | 96 |
| CHD10-2072E | 72.00 | 3,284 | 1,928 | 3,374 | 70% | 1.45 | 2 @ 1/2 | 28.0 | 95.6 | 26° | 104 |
| CHD10-2084E | 87.00 | 3,592 | 1,667 | 3,526 | 50% | 1.54 | 2 @ 1/2 | 28.0 | 95.6 | 25° | 110 |
| CHD10-2096E | 99.00 | 3,614 | 1,428 | 3,436 | 38% | 1.38 | 2 @ 1/2 | 28.0 | 95.6 | 26° | 112 |
| CHD10-3096E | 99.00 | 3,284 | 1,785 | 4,294 | 59% | 1.95 | 3 @ 1/2 | 35.0 | 119.5 | 26° | 148 |
| CHD10-2108E | 111.00 | 3,319 | 1,242 | 3,350 | 38% | 1.35 | 2 @ 1/2 | 28.0 | 95.6 | 26° | 119 |
| CHD10-3108E | 111.00 | 3,284 | 1,876 | 5,061 | 70% | 2.18 | 3 @ 1/2 | 42.0 | 143.3 | 26° | 156 |
| CHD10-2120E | 116.25 | 3,319 | 1,155 | 3,264 | 45% | 1.32 | 2 @ 1/2 | 28.0 | 95.6 | 27° | 126 |
| CHD10-3120E | 116.25 | 3,284 | 1,818 | 5,137 | 50% | 2.22 | 3 @ 1/2 | 42.0 | 143.3 | 26° | 159 |

1. NOTE: Operation at 50 Hz will generate approximately a 17% reduction in air performance.

2. Performance data based on AMCA licensed data from unheated units.

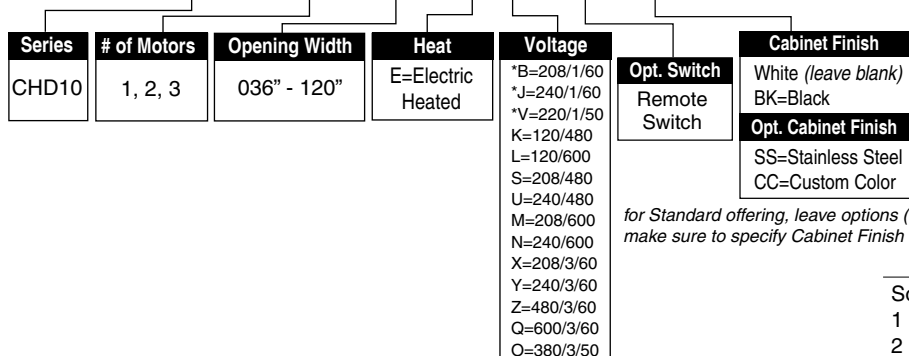
Berner does not recommend CHD10-1060E, CHD10-2108E & CHD10-2120E, exists only as an equivalent to competitors' models.

See sheet EP-112 for amp draws/total load requirements and alternate kW.

| VELOCITY PROJECTION: Model CHD10-1036E | | | | | |
|--|------|------|------|------|------|
| Distance from Nozzle (in) | 40 | 80 | 120 | 160 | 200 |
| Core Velocity (fpm) | 3260 | 1930 | 1530 | 1230 | 1140 |
| Uniformity (%) | 84 | 92 | 96 | 89 | 93 |

MODEL NUMBER CONFIGURATION

CHD10-1 036 E B-R-SS



for Standard offering, leave options (Opt.) blank
make sure to specify Cabinet Finish if other than white

| Sound level measured 10' (3m) from the unit in free field: | |
|--|-------------------------------------|
| 1 motor: | Low/Medium/High Speed: 64/65/66 dBA |
| 2 motors 60": | Low/Medium/High Speed: 66/67/68 dBA |
| 2 motors: | Low/Medium/High Speed: 67/68/69 dBA |
| 3 motors: | Low/Medium/High Speed: 70/71/72 dBA |

See sheet EP-112 for available lengths and voltages

Berner reserves the right to alter specifications without prior notice.



COMMERCIAL HIGH PERFORMANCE 10

Electric Heated Air Curtain

Electrical Performance Sheet

| MODEL | kW (code) | Temp Rise °F | 208/1/60 (voltage code B) MOTOR AMP DRAW = 3.5 each | | | 240/1/60 (voltage code J) or 220/1/50 (voltage code V) MOTOR AMP DRAW = 3.5 each | | | 208/3/60 (voltage code X) MOTOR AMP DRAW = 3.5 each | | | 240/3/60 (voltage code Y) MOTOR AMP DRAW = 3.5 each | | |
|---|--------------|-----------------|--|---------------------------------------|-------------------------------|--|---------------------------------------|-------------------------------|--|---------------------------------------|-------------------------------|--|---------------------------------------|-------------------------------|
| | | | # CKTS | AMPS PER CIRCUIT (including motor) | BREAKER RATING PER CIRCUIT | # CKTS | AMPS PER CIRCUIT (including motor) | BREAKER RATING PER CIRCUIT | # CKTS | AMPS PER CIRCUIT (including motor) | BREAKER RATING PER CIRCUIT | # CKTS | AMPS PER CIRCUIT (including motor) | BREAKER RATING PER CIRCUIT |
| CHD10-1036E CHD10-1042E CHD10-1048E CHD10-1060E | 14 (140) | 25 | 2 | 26.0/44.9 | 35/60 | 2 | 23.0/38.9 | 30/50 | 1 | 42.4 | 60 | 1 | 37.2 | 50 |
| | 10 (100) | 18 | 2 | 19.5/32.0 | 25/40 | 1 | 45.2 | 60 | 1 | 31.3 | 40 | 1 | 27.6 | 35 |
| | 8 (080) | 14 | 1 | 42.0 | 60 | 1 | 36.8 | 50 | 1 | 25.7 | 35 | 1 | 22.7 | 30 |
| | 6 (060) | 11 | 1 | 32.3 | 45 | 1 | 28.5 | 40 | 1 | 20.2 | 30 | 1 | 17.9 | 25 |
| CHD10-2060E | 21 (210) | 25 | - | N/A | N/A | - | N/A | N/A | 2 | 26.4/38.9 | 35/50 | 2 | 23.8/33.7 | 30/45 |
| | 15 (150) | 18 | 2 | 31.0/48.1 | 40/60 | 2 | 27.8/41.7 | 35/60 | 1 | 48.6 | 60 | 1 | 43.1 | 60 |
| | 12 (120) | 14 | 2 | 26.2/38.5 | 35/50 | 2 | 23.7/33.3 | 30/45 | 1 | 40.3 | 50 | 1 | 35.9 | 45 |
| | 9 (090) | 11 | 2 | 21.4/28.8 | 30/40 | 1 | 44.5 | 60 | 1 | 32.0 | 40 | 1 | 28.7 | 35 |
| CHD10-2072E CHD10-2084E CHD10-2096E CHD10-2108E CHD10-2120E | 28 (280) | 25 | - | N/A | N/A | - | N/A | N/A | 2 | 45.9/38.9 | 60/50 | 2 | 40.7/33.7 | 50/45 |
| | 20 (200) | 18 | - | N/A | N/A | 2 | N/A | N/A | 2 | 34.8/27.8 | 45/35 | 2 | 31.1/24.1 | 40/35 |
| | 16 (160) | 14 | 2 | 45.5/38.5 | 60/50 | 2 | 40.3/33.3 | 50/45 | 2 | 29.2/22.2 | 40/30 | 1 | 45.5 | 60 |
| | 12 (120) | 11 | 2 | 35.8/28.8 | 45/40 | 2 | 32.0/25.0 | 40/35 | 1 | 40.3 | 50 | 1 | 35.9 | 45 |
| CHD10-3096E | 35 (350) | 25 | - | N/A | N/A | - | N/A | N/A | 3 | 29.9/38.9/38.9 | 40/50/50 | 3 | 27.3/33.7/33.7 | 35/45/45 |
| | 25 (250) | 18 | - | N/A | N/A | - | N/A | N/A | 2 | 38.3/41.6 | 50/60 | 2 | 34.6/36.1 | 45/50 |
| | 20 (200) | 14 | - | N/A | N/A | - | N/A | N/A | 2 | 32.7/33.3 | 40/45 | 2 | 29.7/28.9 | 40/40 |
| | 15 (150) | 11 | 2 | 39.3/43.3 | 50/60 | 2 | 35.5/37.5 | 45/50 | 2 | 27.2/25.0 | 35/35 | 2 | 24.9/21.7 | 30/30 |
| CHD10-3108E CHD10-3120E | 42 (420) | 25 | - | N/A | N/A | - | N/A | N/A | 3 | 49.4/38.9/38.9 | 60/50/50 | 3 | 44.2/33.7/33.7 | 60/45/45 |
| | 30 (300) | 18 | - | N/A | N/A | - | N/A | N/A | 3 | 38.3/27.8/27.8 | 50/35/35 | 2 | 34.6/48.1 | 45/60 |
| | 24 (240) | 14 | - | N/A | N/A | - | N/A | N/A | 2 | 32.7/44.4 | 40/60 | 2 | 29.7/38.5 | 40/50 |
| | 18 (180) | 11 | - | N/A | N/A | - | N/A | N/A | 2 | 27.2/33.3 | 35/45 | 2 | 24.9/28.9 | 30/40 |



COMMERCIAL HIGH PERFORMANCE 10

Electric Heated Air Curtain

Electrical Performance Sheet

| MODEL | kW (code) | Temp Rise °F | 480/3/60 (voltage code Z) MOTOR AMP DRAW = 1.4 each | | | 600/3/60 (voltage code Q) MOTOR AMP DRAW = 1.0 each | | | 380/3/50 (voltage code O) MOTOR AMP DRAW = 3.5 each | | |
|---|--------------|-----------------|--|---------------------------------------|-------------------------------|--|---------------------------------------|-------------------------------|--|---------------------------------------|-------------------------------|
| | | | # CKTS | AMPS PER CIRCUIT (including motor) | BREAKER RATING PER CIRCUIT | # CKTS | AMPS PER CIRCUIT (including motor) | BREAKER RATING PER CIRCUIT | # CKTS | AMPS PER CIRCUIT (including motor) | BREAKER RATING PER CIRCUIT |
| CHD10-1036E CHD10-1042E CHD10-1048E CHD10-1060E | 14 (140) | 25 | 1 | 18.2 | 25 | 1 | 14.5 | 20 | 1 | 24.8 | 35 |
| | 10 (100) | 18 | 1 | 13.4 | 20 | 1 | 10.6 | 15 | 1 | 18.7 | 25 |
| | 8 (080) | 14 | 1 | 11.0 | 15 | 1 | 8.7 | 15 | 1 | 15.7 | 20 |
| | 6 (060) | 11 | 1 | 8.6 | 15 | 1 | 6.8 | 15 | 1 | 12.6 | 20 |
| CHD10-2060E | 21 (210) | 25 | 1 | 28.1 | 35 | 1 | 22.2 | 30 | 1 | 38.9 | 50 |
| | 15 (150) | 18 | 1 | 20.8 | 30 | 1 | 16.4 | 25 | 1 | 29.8 | 40 |
| | 12 (120) | 14 | 1 | 17.2 | 25 | 1 | 13.5 | 20 | 1 | 25.2 | 35 |
| | 9 (090) | 11 | 1 | 13.6 | 20 | 1 | 10.7 | 15 | 1 | 20.7 | 25 |
| CHD10-2072E CHD10-2084E CHD10-2096E CHD10-2108E CHD10-2120E | 28 (280) | 25 | 1 | 36.5 | 50 | 1 | 28.9 | 40 | 2 | 28.3/21.3 | 35/30 |
| | 20 (200) | 18 | 1 | 26.9 | 35 | 1 | 21.2 | 30 | 1 | 37.4 | 50 |
| | 16 (160) | 14 | 1 | 22.0 | 30 | 1 | 17.4 | 25 | 1 | 31.3 | 40 |
| | 12 (120) | 11 | 1 | 17.2 | 25 | 1 | 13.5 | 20 | 1 | 25.2 | 35 |
| CHD10-3096E | 35 (350) | 25 | 1 | 46.3 | 60 | 1 | 36.7 | 50 | 2 | 31.8/31.9 | 40/40 |
| | 25 (250) | 18 | 1 | 34.3 | 45 | 1 | 27.1 | 35 | 1 | 48.5 | 60 |
| | 20 (200) | 14 | 1 | 28.3 | 35 | 1 | 22.2 | 30 | 1 | 40.9 | 50 |
| | 15 (150) | 11 | 1 | 22.2 | 30 | 1 | 17.4 | 25 | 1 | 33.3 | 40 |
| CHD10-3108E CHD10-3120E | 42 (420) | 25 | 2 | 21.0/33.7 | 30/45 | 1 | 43.4 | 60 | 2 | 31.8/42.5 | 40/60 |
| | 30 (300) | 18 | 1 | 40.3 | 50 | 1 | 31.9 | 40 | 2 | 25.7/30.4 | 35/40 |
| | 24 (240) | 14 | 1 | 33.1 | 45 | 1 | 26.1 | 35 | 1 | 47.0 | 60 |
| | 18 (180) | 11 | 1 | 25.9 | 35 | 1 | 20.3 | 25 | 1 | 37.8 | 50 |



COMMERCIAL HIGH PERFORMANCE 10

Electric Heated Air Curtain

Electrical Performance Sheet

| MODEL | kW (code) | Temp Rise °F | # CKTS | 120/1/60 - 480/3/60 (voltage code K) 120V MOTOR AMP DRAW = 6.5 each | | | | 208/1/60 - 480/3/60 (voltage code S) 208V MOTOR AMP DRAW = 3.5 each | | | | 240/1/60 - 480/3/60 (voltage code U) 240V MOTOR AMP DRAW = 3.5 each | | | | | |
|---|--------------|-----------------|-----------|--|-----------|-------------------------------|--------|--|--------|-------------------------------|--------|--|--------|-------------------------------|-----------|----|-------|
| | | | | AMPS PER CIRCUIT | | BREAKER RATING PER CIRCUIT | | AMPS PER CIRCUIT | | BREAKER RATING PER CIRCUIT | | AMPS PER CIRCUIT | | BREAKER RATING PER CIRCUIT | | | |
| | | | | 120V/1 | 480V/3 | 120V/1 | 480V/3 | 208V/1 | 480V/3 | 208V/1 | 480V/3 | 240V/1 | 480V/3 | 240V/1 | 480V/3 | | |
| CHD10-1036E CHD10-1042E CHD10-1048E CHD10-1060E | 14 (140) | 25 | 2 | 6.5 | 16.8 | 15 | 25 | 2 | 3.5 | 16.8 | 15 | 25 | 2 | 3.5 | 16.8 | 15 | 25 |
| | 10 (100) | 18 | 2 | 6.5 | 12.0 | 15 | 15 | 2 | 3.5 | 12.0 | 15 | 15 | 2 | 3.5 | 12.0 | 15 | 15 |
| | 8 (080) | 14 | 2 | 6.5 | 9.6 | 15 | 15 | 2 | 3.5 | 9.6 | 15 | 15 | 2 | 3.5 | 9.6 | 15 | 15 |
| | 6 (060) | 11 | 2 | 6.5 | 7.2 | 15 | 15 | 2 | 3.5 | 7.2 | 15 | 15 | 2 | 3.5 | 7.2 | 15 | 15 |
| CHD10-2060E | 21 (210) | 25 | 2 | 13.0 | 25.3 | 20 | 35 | 2 | 7.0 | 25.3 | 15 | 35 | 2 | 7.0 | 25.3 | 15 | 35 |
| | 15 (150) | 18 | 2 | 13.0 | 18.0 | 20 | 25 | 2 | 7.0 | 18.0 | 15 | 25 | 2 | 7.0 | 18.0 | 15 | 25 |
| | 12 (120) | 14 | 2 | 13.0 | 14.4 | 20 | 20 | 2 | 7.0 | 14.4 | 15 | 20 | 2 | 7.0 | 14.4 | 15 | 20 |
| | 9 (090) | 11 | 2 | 13.0 | 10.8 | 20 | 15 | 2 | 7.0 | 10.8 | 15 | 15 | 2 | 7.0 | 10.8 | 15 | 15 |
| CHD10-2072E CHD10-2084E CHD10-2096E CHD10-2108E CHD10-2120E | 28 (280) | 25 | 2 | 13.0 | 33.7 | 20 | 45 | 2 | 7.0 | 33.7 | 15 | 45 | 2 | 7.0 | 33.7 | 15 | 45 |
| | 20 (200) | 18 | 2 | 13.0 | 24.1 | 20 | 35 | 2 | 7.0 | 24.1 | 15 | 35 | 2 | 7.0 | 24.1 | 15 | 35 |
| | 16 (160) | 14 | 2 | 13.0 | 19.2 | 20 | 25 | 2 | 7.0 | 19.2 | 15 | 25 | 2 | 7.0 | 19.2 | 15 | 25 |
| | 12 (120) | 11 | 2 | 13.0 | 14.4 | 20 | 20 | 2 | 7.0 | 14.4 | 15 | 20 | 2 | 7.0 | 14.4 | 15 | 20 |
| CHD10-3096E | 35 (350) | 25 | 2 | 19.5 | 42.1 | 25 | 60 | 2 | 10.5 | 42.1 | 15 | 60 | 2 | 10.5 | 42.1 | 15 | 60 |
| | 25 (250) | 18 | 2 | 19.5 | 30.1 | 25 | 40 | 2 | 10.5 | 30.1 | 15 | 40 | 2 | 10.5 | 30.1 | 15 | 40 |
| | 20 (200) | 14 | 2 | 19.5 | 24.1 | 25 | 35 | 2 | 10.5 | 24.1 | 15 | 35 | 2 | 10.5 | 24.1 | 15 | 35 |
| | 15 (150) | 11 | 2 | 19.5 | 18.0 | 25 | 25 | 2 | 10.5 | 18.0 | 15 | 25 | 2 | 10.5 | 18.0 | 15 | 25 |
| CHD10-3108E CHD10-3120E | 42 (420) | 25 | 3 | 19.5 | 33.7/16.8 | 25 | 45/25 | 3 | 10.5 | 33.7/16.8 | 15 | 45/25 | 3 | 10.5 | 33.7/16.8 | 15 | 45/25 |
| | 30 (300) | 18 | 2 | 19.5 | 36.1 | 25 | 50 | 2 | 10.5 | 36.1 | 15 | 50 | 2 | 10.5 | 36.1 | 15 | 50 |
| | 24 (240) | 14 | 2 | 19.5 | 28.9 | 25 | 40 | 2 | 10.5 | 28.9 | 15 | 40 | 2 | 10.5 | 28.9 | 15 | 40 |
| | 18 (180) | 11 | 2 | 19.5 | 21.7 | 25 | 30 | 2 | 10.5 | 21.7 | 15 | 30 | 2 | 10.5 | 21.7 | 15 | 30 |



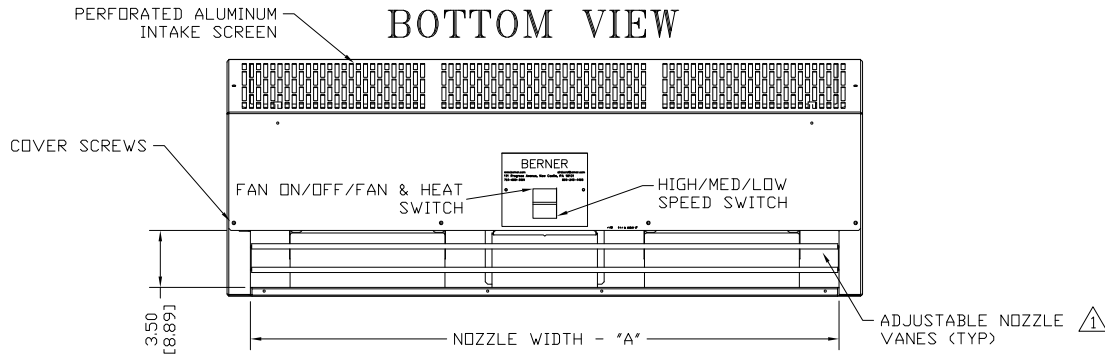
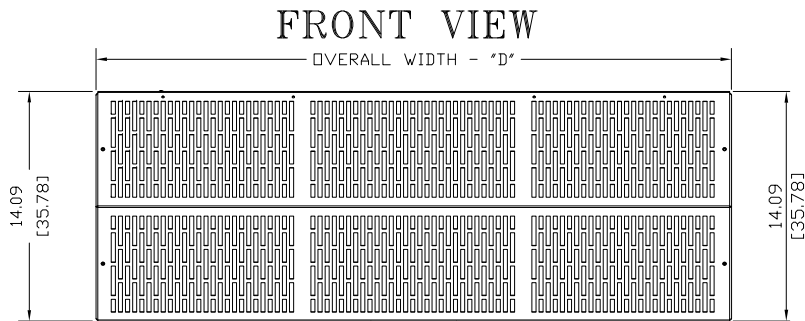
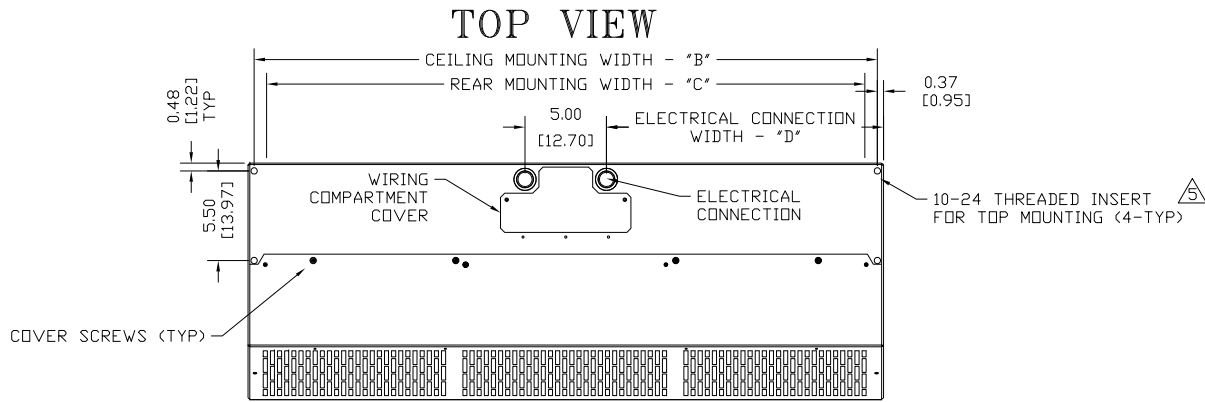
COMMERCIAL HIGH PERFORMANCE 10

Electric Heated Air Curtain

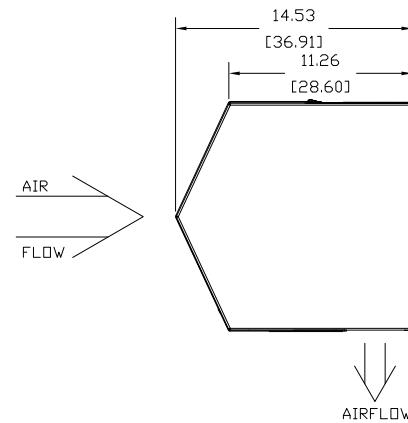
Electrical Performance Sheet

| MODEL | kW (code) | Temp Rise °F | 120/1/60 - 600/3/60 (voltage code L) 120V MOTOR AMP DRAW = 6.5 each | | | | 208/1/60 - 600/3/60 (voltage code M) 208V MOTOR AMP DRAW = 3.5 each | | | | 240/1/60 - 600/3/60 (voltage code N) 240V MOTOR AMP DRAW = 3.5 each | | | | | | |
|---|--------------|-----------------|--|------------------|--------|-------------------------------|--|-----------|------------------|--------|--|--------|-----------|------------------|--------|-------------------------------|--------|
| | | | # CKTS | AMPS PER CIRCUIT | | BREAKER RATING PER CIRCUIT | | # CKTS | AMPS PER CIRCUIT | | BREAKER RATING PER CIRCUIT | | # CKTS | AMPS PER CIRCUIT | | BREAKER RATING PER CIRCUIT | |
| | | | | 120V/1 | 600V/3 | 120V/1 | 600V/3 | | 208V/1 | 600V/3 | 208V/1 | 600V/3 | | 240V/1 | 600V/3 | 240V/1 | 600V/3 |
| CHD10-1036E CHD10-1042E CHD10-1048E CHD10-1060E | 14 (140) | 25 | 2 | 6.5 | 13.5 | 15 | 20 | 2 | 3.5 | 13.5 | 15 | 20 | 2 | 3.5 | 13.5 | 15 | 20 |
| | 10 (100) | 18 | 2 | 6.5 | 9.6 | 15 | 15 | 2 | 3.5 | 9.6 | 15 | 15 | 2 | 3.5 | 9.6 | 15 | 15 |
| | 8 (080) | 14 | 2 | 6.5 | 7.7 | 15 | 15 | 2 | 3.5 | 7.7 | 15 | 15 | 2 | 3.5 | 7.7 | 15 | 15 |
| | 6 (060) | 11 | 2 | 6.5 | 5.8 | 15 | 15 | 2 | 3.5 | 5.8 | 15 | 15 | 2 | 3.5 | 5.8 | 15 | 15 |
| CHD10-2060E | 21 (210) | 25 | 2 | 13.0 | 20.2 | 20 | 30 | 2 | 7.0 | 20.2 | 15 | 30 | 2 | 7.0 | 20.2 | 15 | 30 |
| | 15 (150) | 18 | 2 | 13.0 | 14.4 | 20 | 20 | 2 | 7.0 | 14.4 | 15 | 20 | 2 | 7.0 | 14.4 | 15 | 20 |
| | 12 (120) | 14 | 2 | 13.0 | 11.5 | 20 | 20 | 2 | 7.0 | 11.5 | 15 | 20 | 2 | 7.0 | 11.5 | 15 | 20 |
| | 9 (090) | 11 | 2 | 13.0 | 8.7 | 20 | 15 | 2 | 7.0 | 8.7 | 15 | 15 | 2 | 7.0 | 8.7 | 15 | 15 |
| CHD10-2072E CHD10-2084E CHD10-2096E CHD10-2108E CHD10-2120E | 28 (280) | 25 | 2 | 13.0 | 26.9 | 20 | 35 | 2 | 7.0 | 26.9 | 15 | 35 | 2 | 7.0 | 26.9 | 15 | 35 |
| | 20 (200) | 18 | 2 | 13.0 | 19.2 | 20 | 25 | 2 | 7.0 | 19.2 | 15 | 25 | 2 | 7.0 | 19.2 | 15 | 25 |
| | 16 (160) | 14 | 2 | 13.0 | 15.4 | 20 | 20 | 2 | 7.0 | 15.4 | 15 | 20 | 2 | 7.0 | 15.4 | 15 | 20 |
| | 12 (120) | 11 | 2 | 13.0 | 11.5 | 20 | 15 | 2 | 7.0 | 11.5 | 15 | 15 | 2 | 7.0 | 11.5 | 15 | 15 |
| CHD10-3096E | 35 (350) | 25 | 2 | 19.5 | 33.7 | 25 | 45 | 2 | 10.5 | 33.7 | 15 | 45 | 2 | 10.5 | 33.7 | 15 | 45 |
| | 25 (250) | 18 | 2 | 19.5 | 24.1 | 25 | 35 | 2 | 10.5 | 24.1 | 15 | 35 | 2 | 10.5 | 24.1 | 15 | 35 |
| | 20 (200) | 14 | 2 | 19.5 | 19.2 | 25 | 25 | 2 | 10.5 | 19.2 | 15 | 25 | 2 | 10.5 | 19.2 | 15 | 25 |
| | 15 (150) | 11 | 2 | 19.5 | 14.4 | 25 | 20 | 2 | 10.5 | 14.4 | 15 | 20 | 2 | 10.5 | 14.4 | 15 | 20 |
| CHD10-3108E CHD10-3120E | 42 (420) | 25 | 2 | 19.5 | 40.4 | 25 | 60 | 2 | 10.5 | 40.4 | 15 | 60 | 2 | 10.5 | 40.4 | 15 | 60 |
| | 30 (300) | 18 | 2 | 19.5 | 28.9 | 25 | 40 | 2 | 10.5 | 28.9 | 15 | 40 | 2 | 10.5 | 28.9 | 15 | 40 |
| | 24 (240) | 14 | 2 | 19.5 | 23.1 | 25 | 30 | 2 | 10.5 | 23.1 | 15 | 30 | 2 | 10.5 | 23.1 | 15 | 30 |
| | 18 (180) | 11 | 2 | 19.5 | 17.3 | 25 | 25 | 2 | 10.5 | 17.3 | 15 | 25 | 2 | 10.5 | 17.3 | 15 | 25 |

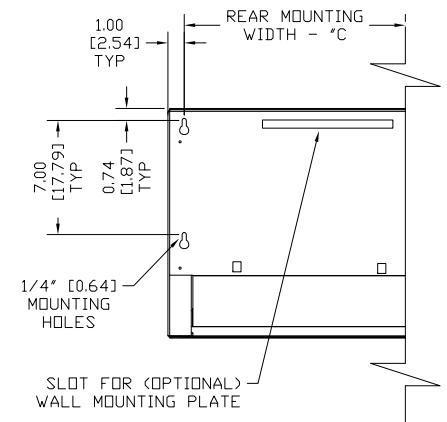
CHD 10 ELECTRIC HEATED



END VIEW



REAR VIEW



NOTES:

- ⚠ AIR CURTAIN MUST BE INSTALLED SO AIR STREAM IS NOT OBSTRUCTED WHEN DEFLECTED 20° TO EITHER SIDE OF \mathcal{C} .
- ⚠ ELECTRICAL CONNECTIONS TO BE FLEXIBLE.
- ⚠ FIELD VERIFY DIMENSIONS.
- ⚠ ANCHORS TO SUPPORTING STRUCTURE BY OTHERS.
- ⚠ ADEQUACY OF SUPPORTING STRUCTURE IS TO BE VERIFIED BY A PROFESSIONAL STRUCTURAL ENGINEER.
- ⚠ LETTER "E" IN MODEL NUMBER DESIGNATES ELECTRIC HEATED UNIT
- ⚠ DIMENSIONS IN INCHES [CENTIMETERS].

| MODEL ⚠ | NOZZLE WIDTH "A" | CEILING MOUNTING WIDTH "B" | REAR MOUNTING WIDTH "C" | UNIT WIDTH "D" | ELECTRIC WIDTH "E" |
|-------------|---------------------|-------------------------------|----------------------------|-------------------|-----------------------|
| CHD10-1036E | 36.00 [91.44] | 38.25 [97.16] | 37.00 [93.98] | 39.00 [99.06] | 17.00 [43.18] |
| CHD10-1042E | 42.00 [106.68] | 44.25 [112.40] | 43.00 [109.22] | 45.00 [114.30] | 20.00 [50.80] |
| CHD10-1048E | 48.00 [121.92] | 50.25 [127.64] | 49.00 [124.46] | 51.00 [129.54] | 23.00 [58.42] |
| CHD10-1060E | 60.00 [152.40] | 62.25 [158.12] | 61.00 [154.94] | 63.00 [160.02] | 29.00 [73.66] |
| CHD10-2060E | 60.00 [152.40] | 62.25 [158.12] | 61.00 [154.94] | 63.00 [160.02] | 19.00 [48.26] |
| CHD10-2072E | 72.00 [182.88] | 74.25 [188.60] | 73.00 [185.42] | 75.00 [190.50] | 17.00 [43.18] |
| CHD10-2084E | 86.88 [220.66] | 89.13 [226.38] | 87.88 [223.22] | 89.88 [228.28] | 20.75 [52.71] |
| CHD10-2096E | 98.88 [251.14] | 101.13 [257.18] | 99.88 [253.70] | 101.88 [258.76] | 23.75 [60.33] |
| CHD10-3096E | 98.88 [251.14] | 101.13 [257.18] | 99.88 [253.70] | 101.88 [258.76] | 15.50 [39.37] |
| CHD10-2108E | 110.88 [281.62] | 113.13 [287.38] | 111.88 [284.18] | 113.88 [289.24] | 26.75 [67.95] |
| CHD10-3108E | 110.88 [281.62] | 113.13 [287.38] | 111.88 [284.18] | 113.88 [289.24] | 17.50 [44.45] |
| CHD10-2120E | 116.25 [295.28] | 118.50 [300.99] | 117.25 [297.82] | 119.25 [302.90] | 28.06 [71.28] |
| CHD10-3120E | 116.25 [295.28] | 118.50 [300.99] | 117.25 [297.82] | 119.25 [302.90] | 18.38 [46.67] |

| | | |
|-----------|-----------|---|
| PROJECT | | |
| LOCATION | | |
| ARCHITECT | | |
| ENGINEER | | REV. - |
| DWG. NO. | CHD10-ELE | TITLE: BERNER |
| DATE | 25SEP2017 | MODEL CHD10 AIR CURTAIN |
| BY | S. BEIL | ELECTRIC HEATED SYSTEM |
| REPLACES | - | |
| BY | - | BERNER INTERNATIONAL CORP. NEW CASTLE, PA. |