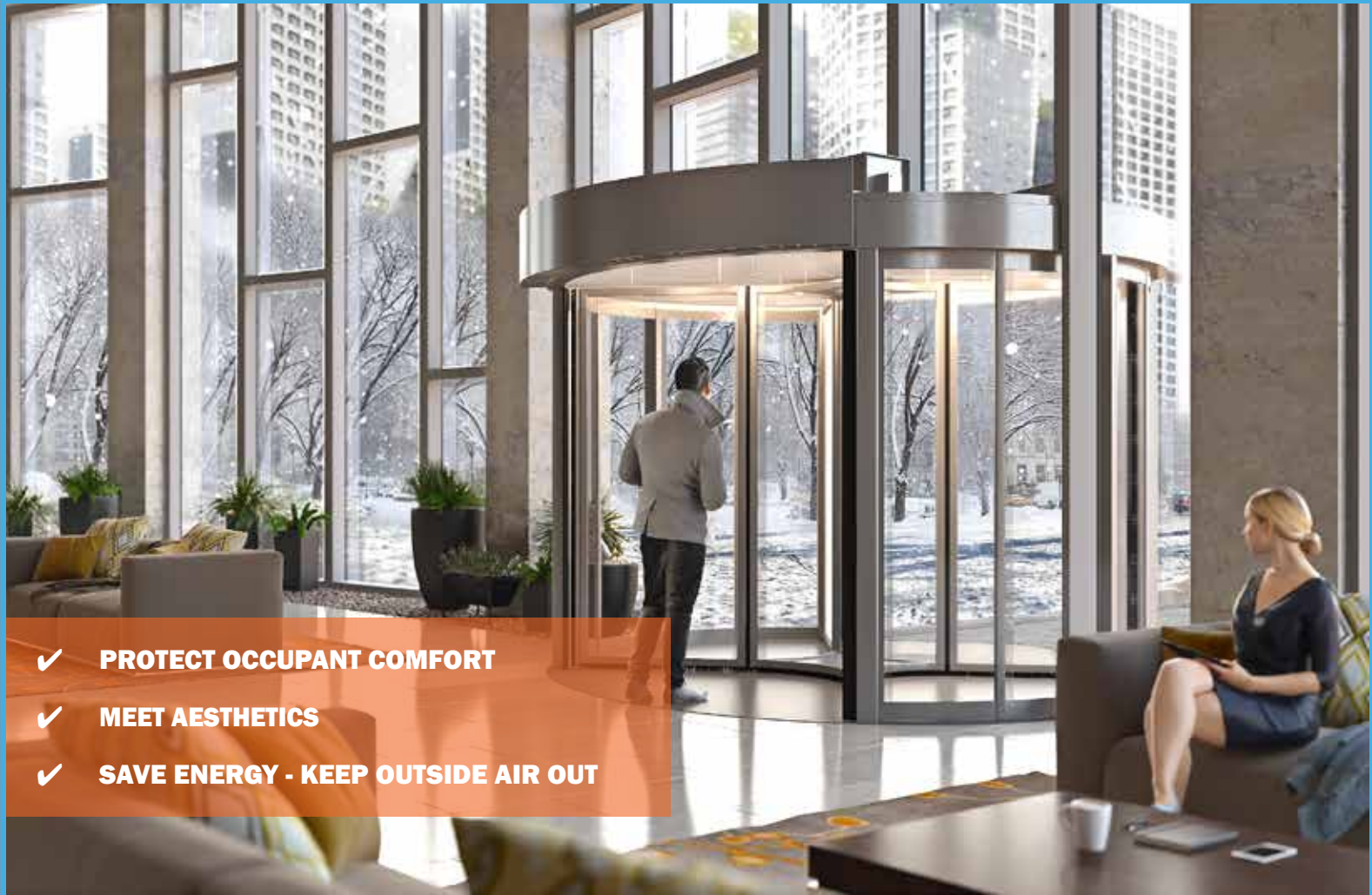


The Berner RevolvAir™

Air Curtain System for Revolving Doors



- ✓ PROTECT OCCUPANT COMFORT
- ✓ MEET AESTHETICS
- ✓ SAVE ENERGY - KEEP OUTSIDE AIR OUT

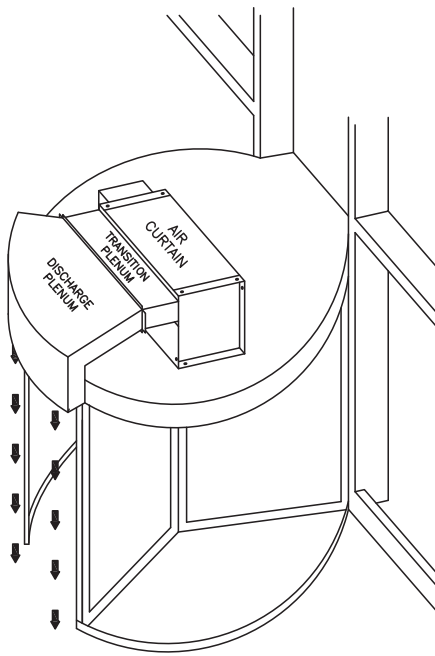
Meet the expectation that occupants can comfortably socialize, work, and hang out in the lobby.



800-245-4455
www.Berner.com

The Berner RevolvAir™

Air Curtain System for Revolving Doors



- Concealed or Exposed systems
- Modular pre-fitted field assembly
- Simple to install, operate and maintain

Benefits:

- Exterior temperatures, odors & fumes kept out of the lobby
- HVAC operational costs reduced
- Occupant comfort maintained

IDEAL APPLICATIONS:

Main Entrances
Lobbies

HEAT OPTIONS:

Electric
Steam
Hot Water

Custom Colors, Stainless Steel (Grade 304 or better)
Aluminum & other finishes available

DISCHARGE & TRANSITION PLENUM Standard Construction

- Sized according to revolving door radius & opening width
- Sky white powder coated exterior
- Aluminum airfoil vanes for smooth air flow

Sold Separately:

- Customized trim packages
- Exit sign, red or green LED lettering

Controls

Factory installed Intelliswitch™ digital controller:

- Low voltage circuit for unit activation (BMS)
- Time delay
- External thermostat provision
- RoHS compliant
- Temperature Probe (heated units only)
- Remote Display

Sold Separately:

- Wi-Fi Controller, works with the Berner App
- Handheld Remote Control

Installation & Mounting

Simple to install, operate & maintain

- Air Curtain – no assembly required
- Discharge & Transition Plenum – Modular, pre-fitted construction
- Structural support field provided by others

AIR CURTAIN Standard Construction

- 18" high x 15" deep
- ½ hp motor(s) – direct drive, ten fan speeds
- Factory mounted UL listed control panel
- Sky white powder coated exterior, screen, and access panels
- UL Listed

Parts Warranty:

Ambient - Five years, Heated - Two years



the Berner App!
Order the Wi-Fi Controller
to control and monitor
from your smart phone!



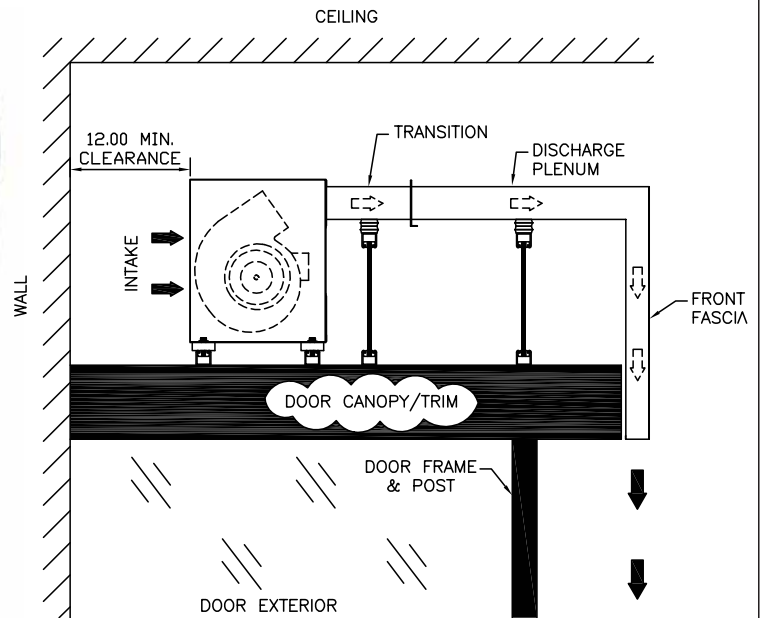
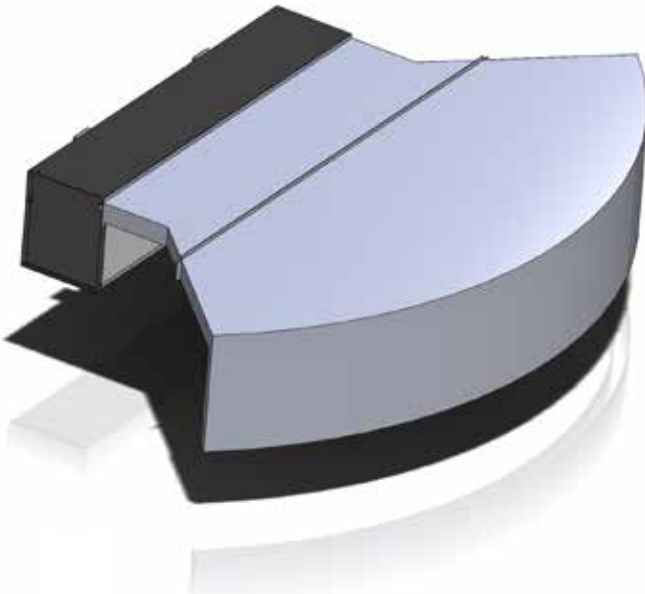
www.Berner.com

How it Works to Keep the Lobby Comfortable:

The revolving door acts as an air lock, bringing people, but also bringing outside temperatures and fumes into the lobby. When outdoor temperatures are extreme, such as in Winter, the entrance of cold air is quite noticeable.

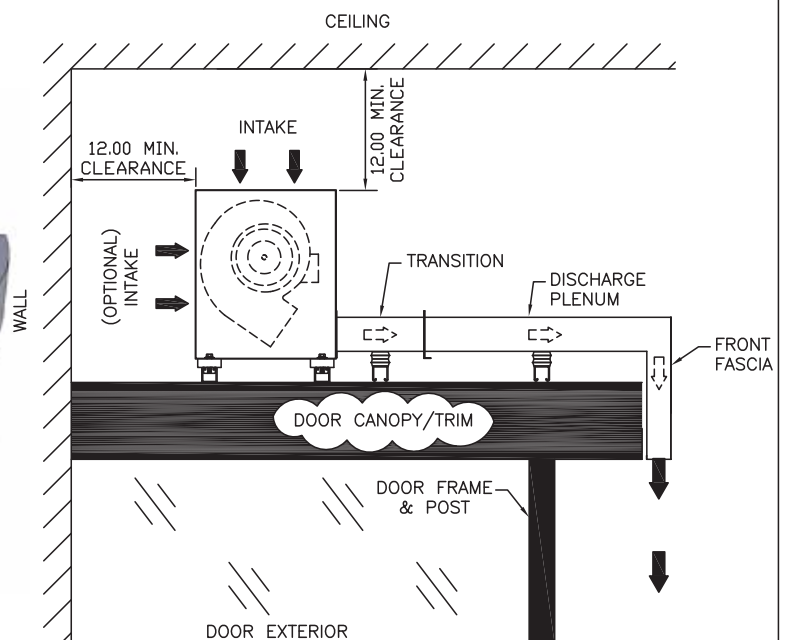
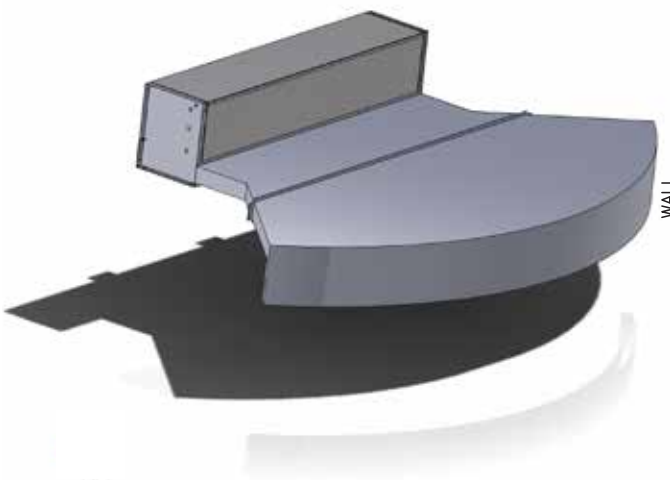
Mounted over the revolving door, on the interior of the building, the air curtain system provides a low unobtrusive curtain of air across the door opening that keeps the unwanted outside air trapped within the door chambers as they rotate past the lobby.

CONCEALED SYSTEM

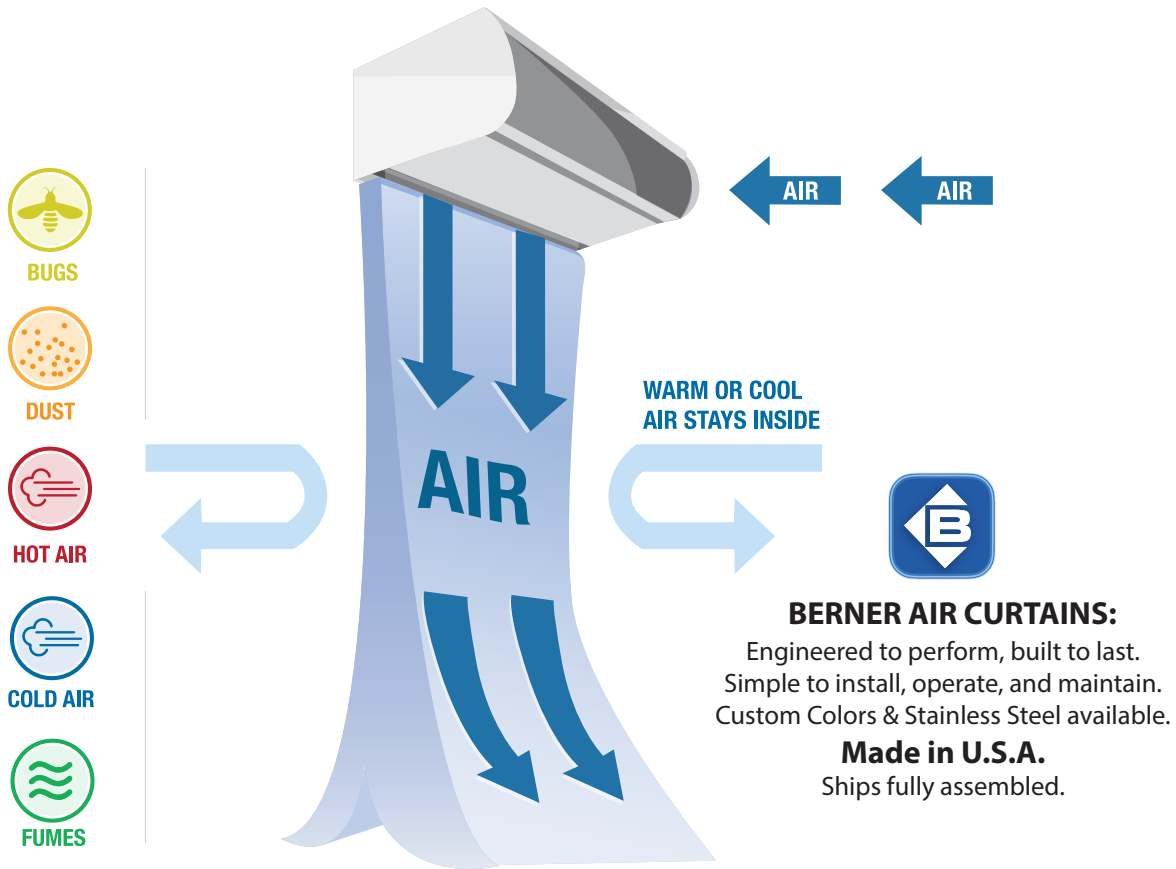


Berner offers customized aesthetically pleasing trim packages.

EXPOSED SYSTEM



HOW A BERNER AIR CURTAIN WORKS



BERNER AIR CURTAINS:

Engineered to perform, built to last.
Simple to install, operate, and maintain.
Custom Colors & Stainless Steel available.

Made in U.S.A.

Ships fully assembled.

Air Curtains & Vestibules!

The 2015 IECC (International Energy Conservation Code) joins the 2012 IgCC (International Green Construction Code) in adding AMCA certified **air curtains as an exception to a vestibule.**

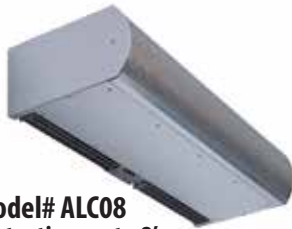
OTHER BERNER AIR CURTAINS RECOMMENDED FOR FRONT ENTRANCES

ARCHITECTURAL High Performance 10



Model# AHD10
Protection up to 10'
Sleek design, high performance, with clear satin anodized aluminum exterior.
• Factory installed Intelliswitch™ digital controller

ARCHITECTURAL Low Profile 8



Model# ALC08
Protection up to 8'
Low profile, with clear satin anodized aluminum cabinet.
• Factory installed Intelliswitch™ digital controller

ARCHITECTURAL Elite 8



Model# AED08
Protection up to 8'
Contemporary style design with white powder coated exterior.
• Factory installed Intelliswitch™ digital controller

ARCHITECTURAL Recessed 12 & 16



Model# ARD12 & ARC16
Protection up to 12' & 16'
Mounts flush with the ceiling, white aluminum exterior.
• Factory installed Intelliswitch™ digital controller



www.berner.com
111 Progress Avenue
New Castle, PA 16101
800-245-4455 724-658-3551

